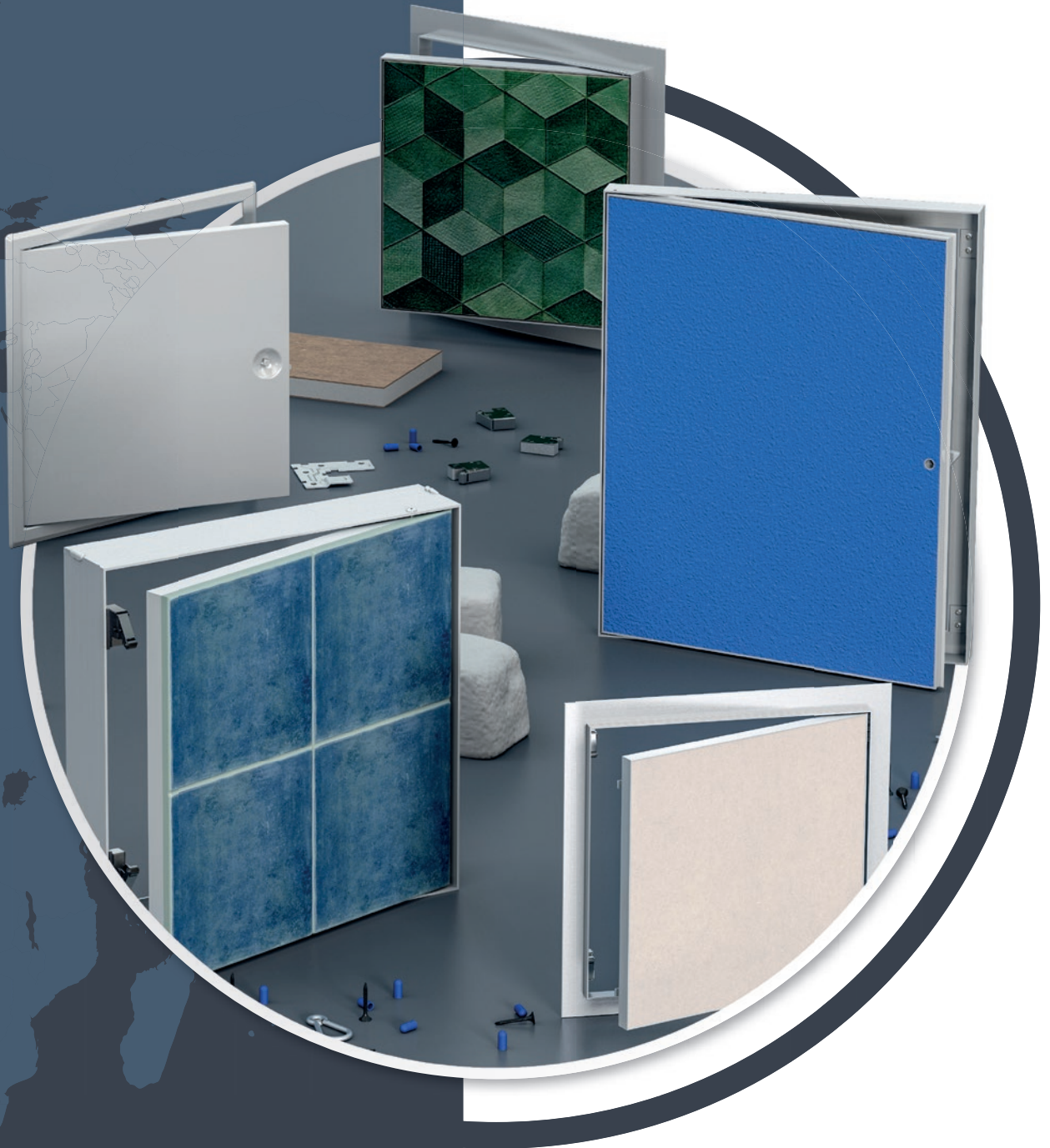




TAMADEX



NON-FIRE-RATED INSPECTION DOORS

TAMADEX COMPANY

We are a Czech family company specializing in the production of metal accessories for drywall systems and inspection doors in the field of dry construction.

We strive to be innovative, flexible, and efficient in order to offer the best solutions for our customers. Our company's philosophy lies in providing high-quality services and products and building long-term relationships with customers based on trust and collaboration.

All our products are thoroughly tested and verified to meet the highest standards of quality and safety. We believe that our products are an excellent choice for construction projects of all sizes and complexities.

If you are interested in our products, please do not hesitate to contact us for more information and consultation. Our team is ready to assist you in selecting the right products and advising you on their installation and use."

Tamadex Company offers:

- **High quality and reliability of products**
- **Flexibility and customization according to customer specifications**
- **Long-term experience and expertise in the industry**
- **Modern technologies and continuous innovation**
- **Wide portfolio of products for various types of construction projects**
- **Professional and customer-oriented approach**



01

PRESSED ALUMINUM

Classic removable	RDL (V)	6-9
Dust-proof removable	RDLp (V)	10-13
Air-tight removable	RDLv (V)	14-17
Classic hinged	RDL	18-21
Dust-proof hinged	RDLp	22-25
Air-tight hinged	RDLv	26-29

02

WELDED ALUMINUM

Classic US	RDS	32-35
Classic Key Lock	RDS	36-39
Classic FAB Lock	RDS	40-43
Classic Cylinder Lock	RDS	44-45
Double wing	RDSd	46-47
Air-tight	RDS _t	48-49
Acoustic	RDS _a	50-53
Masonry	RDS _z	54-55
Masonry Air-tight	RDS _{zt}	56-57
Mineral	RDS _m	58-59
Round	RDØ	60-61
Facade	RDS _f	62-63
Reinforced	RDS	64
Without board	RDS	65

03

ALUMINUM WELDED FOR CERAMIC TILE

For gypsum	RDS	68-71
For masonry	RDS _{zo}	72-75

04

SHEET METAL

Classic-painted	RD _p	78-79
Stainless	RD _n	80-81
Ventilation (HUP)	RD _p	82-83

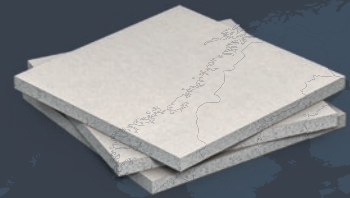
05

INFORMATION

Order form	86
Use of doors	87
Other production / Claims	88

WHITE GKB BOARD

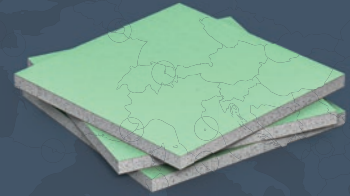
The gypsum plasterboard is a standard gypsum plasterboard intended for use in constructions without special requirements for fire resistance or sound insulation.



GREEN GKBi / GKFi BOARD

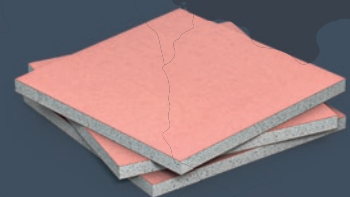
GKBi - The impregnated board has reduced absorption and is intended for use in constructions in areas with higher air humidity, such as bathrooms, showers, or kitchens.

GKFi - The fire-resistant impregnated board with controlled volume density and reduced absorption is intended for use in constructions with higher fire resistance requirements as well as areas with higher air humidity, such as bathrooms and showers.



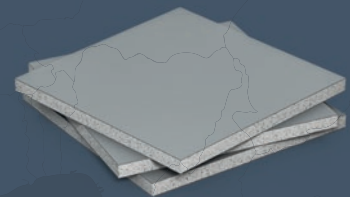
RED GKF BOARD

The fire-resistant board is a gypsum plasterboard with controlled volume density designed for use in constructions with increased requirements for fire resistance



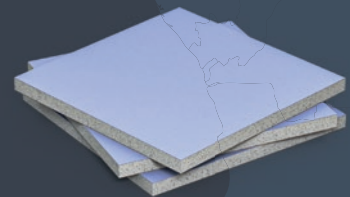
HABITO BOARD

The high-strength board is characterized by high flexural strength and increased surface hardness, making it suitable for use in conditions where it may be subjected to demanding mechanical stress and high load-bearing capacity is required.



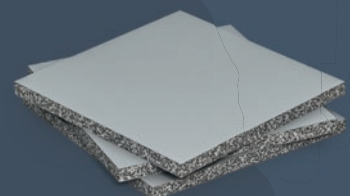
BLUE ACOUSTIC BOARD

The board is intended for addressing acoustic and fire protection requirements in buildings. It is ideal for addressing noise in apartments, offices, or public buildings.



POWERPANEL H2O

The lightweight concrete board with a sandwich structure and surface layers reinforced on both sides with glass fabric resistant to alkalis and permanently waterproof. Resistant to mold and suitable for use in the presence of chemical substances. An ideal solution for ventilated facades, with the possibility of painting, plastering, or stone cladding.

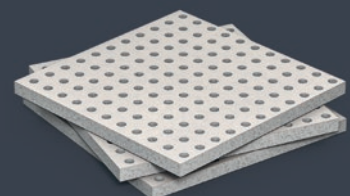


RIGITON

Gypsum perforated boards for addressing spatial acoustics in rooms with high sound absorption. The boards are covered with a white or black non-woven fabric on the top side. The boards are also equipped with ActivAir® technology for eliminating formaldehyde indoors.

Square holes: Rigiton R 8/18 Q
Rigiton R 12/25 Q

Round holes: Rigiton R 6/18
Rigiton R 8/18



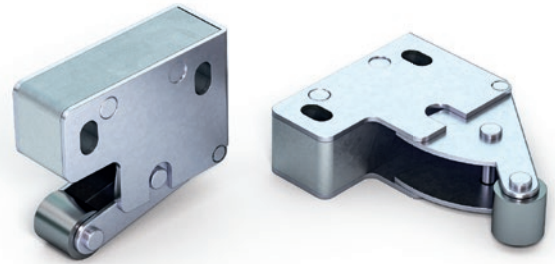
PUSH-LOCK (US)



Push

This is a lock attached to the outer frame of inspection doors. The advantage of this lock is its more robust construction and easier opening. It can be mounted on all types of inspection doors.

Doors with this lock are opened by pushing on the inner frame at the lock position. Doors up to 200 mm have one lock in the middle, sizes up to 1000 mm has two locks placed at the top and bottom. Bigger sizes use three and more locks evenly spread on the opening side.



SQUARE KEY LOCK (KL)



Square

Doors produced with square locks are suitable for simple securing against unwanted openings. One or more locks are used depending on the door size. It is required for doors with large dimensions in combination with US locks. The doors are supplied with a plastic square key.



SECURITY LOCK (FAB)



FAB

A security (mechanical) lock with a profiled key provides a high level of security and is suitable for use in places where unwanted intrusion is a concern.

Standard door dimensions are fitted with one lock in the center. In case of customer requirements or for larger dimensions, it is used in combination with a US lock. The doors are supplied with two keys.



CYLINDRICAL LOCK (CL)



CL

A cylinder lock is a mechanical lock used to secure doors in places against unauthorized entry.

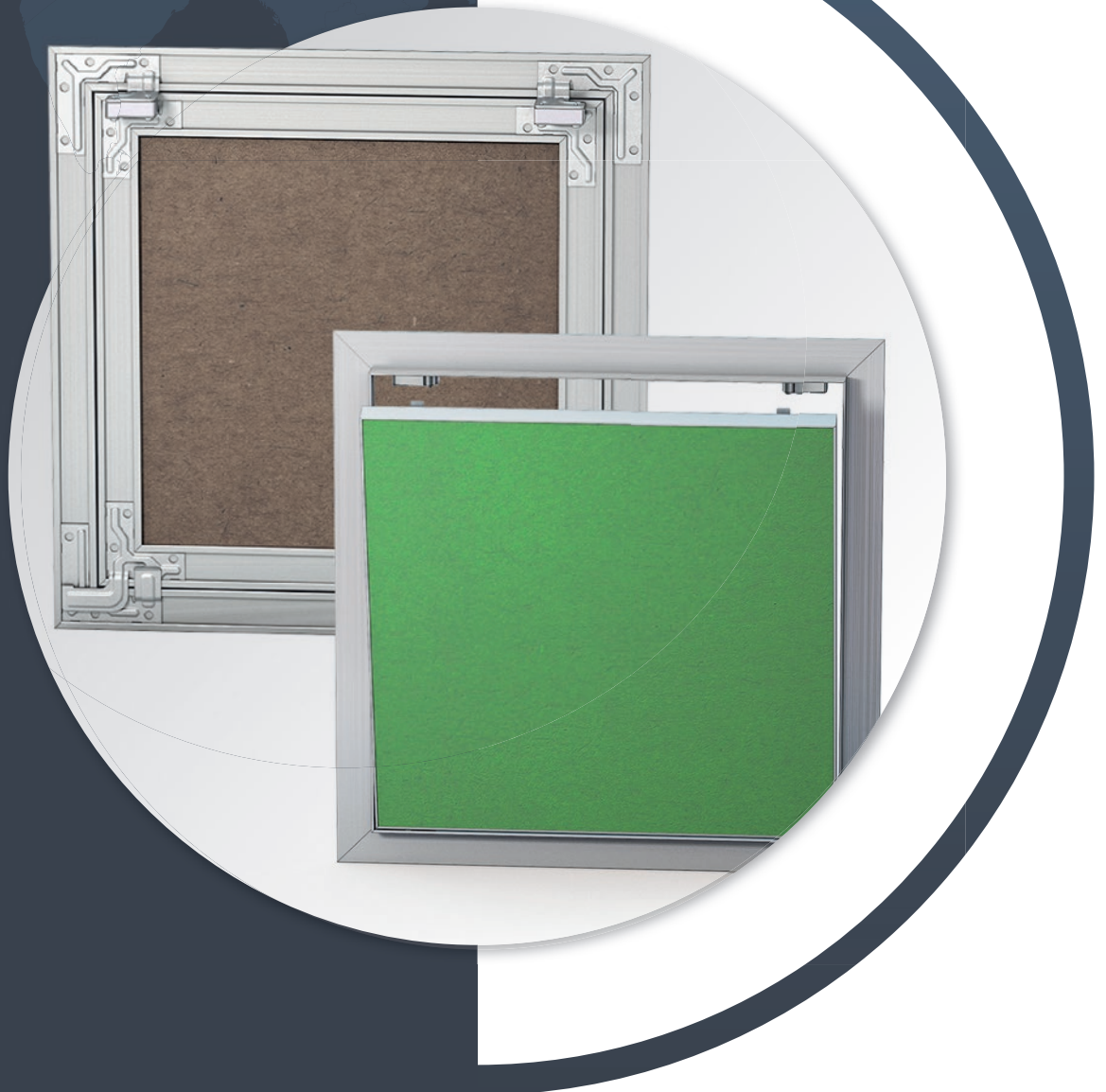
Standard door sizes are equipped with one lock in the middle. In the case of customer requirements or for larger sizes, it is used in combination with a US lock. Doors are supplied with two keys.





01

INSPECTION DOORS PRESSED



PRESSED ALUMINUM INSPECTION DOORS

CLASSIC REMOVABLE 12.5 mm

push lock, removable

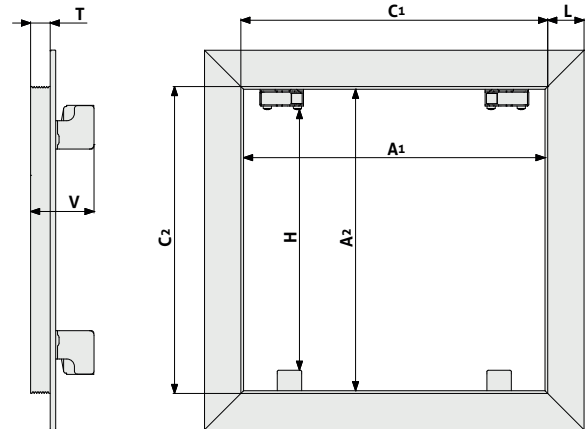
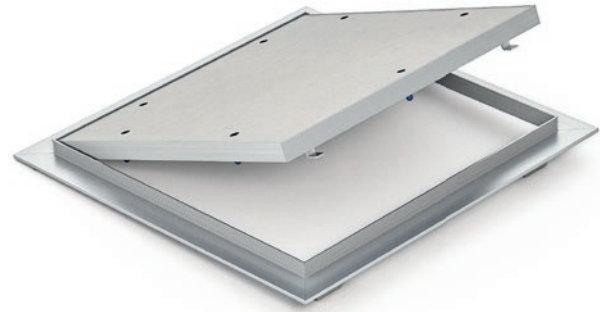
The doors are made from special aluminum profiles that are connected by pressing them into the outer and inner frames using reinforced galvanized corners. The complete assembly is not connected by a fixed hinge, allowing the door leaf to be removed if necessary. In standard design this model is manufactured with a white or green board fastened to the inner frame using self-tapping screws.




The main advantages of the model are:

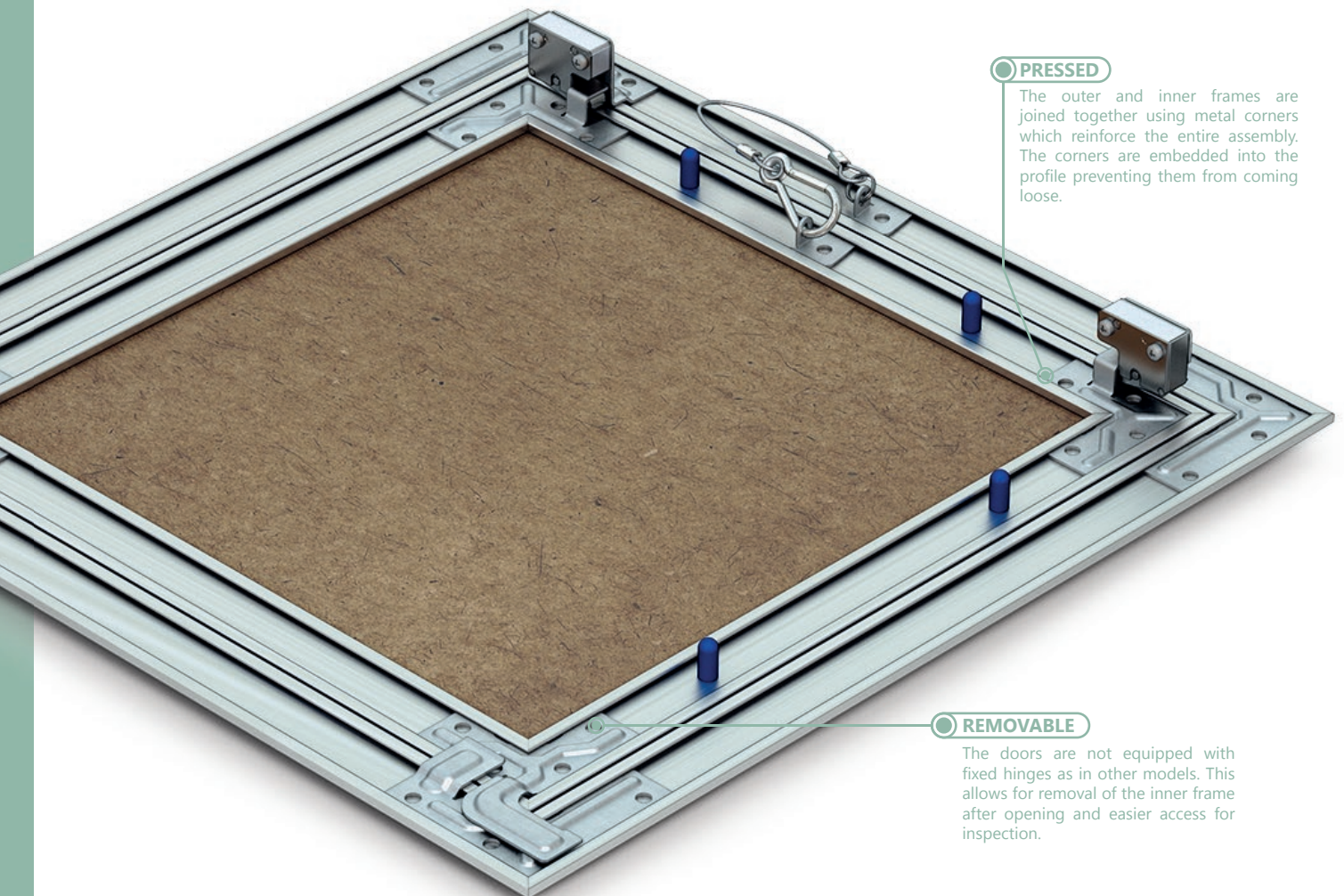
- Removable inner frame for larger clear opening
- Minimal gap
- Easily replaceable door leaf after installation

Convenient opening and closing is ensured by two push locks located in the corners of the outer frame. Pressing of the inner frame at the lock position causes the latch to snap in or out.

For increased safety the doors are equipped with a safety cord that prevents them from falling out unintentionally.



 Wall	 Ceiling	 Push
Minimum size 150 mm x 150 mm	Maximum size 1200 mm x 1200 mm	



PRESSED

The outer and inner frames are joined together using metal corners which reinforce the entire assembly. The corners are embedded into the profile preventing them from coming loose.

REMOVABLE

The doors are not equipped with fixed hinges as in other models. This allows for removal of the inner frame after opening and easier access for inspection.

White board GKB for dry environment

Order no.	Article name	Weight	Installation size			Clear opening		Height	
			C1	C2	L	H	A1	T	V
TMD-5190	RDL 200x200x12.5 GKB US (R)	0,84 kg	201	201	24	172	198	13	44
TMD-5191	RDL 200x300x12.5 GKB US (R)	1,09 kg	201	301	24	272	198	13	44
TMD-5192	RDL 300x300x12.5 GKB US (R)	1,42 kg	301	301	24	272	298	13	44
TMD-5193	RDL 300x400x12.5 GKB US (R)	1,76 kg	301	401	24	372	298	13	44
TMD-5194	RDL 300x600x12.5 GKB US (R)	2,43 kg	301	601	24	572	298	13	44
TMD-5195	RDL 400x400x12.5 GKB US (R)	2,19 kg	401	401	24	372	398	13	44
TMD-5196	RDL 400x600x12.5 GKB US (R)	3,04 kg	401	601	24	572	398	13	44
TMD-5197	RDL 500x500x12.5 GKB US (R)	3,13 kg	501	501	24	472	498	13	44
TMD-5198	RDL 600x600x12.5 GKB US (R)	4,26 kg	601	601	24	572	598	13	44
TMD-5199	RDL 700x700x12.5 GKB US (R)	5,57 kg	701	701	24	672	698	13	44

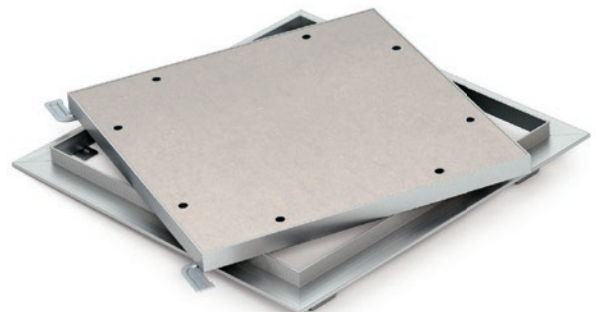
Possible customer-specific options:

- Different 12.5 mm board (GKF, GKFi, blue acoustic, perforated...)
- Possibility of delivery without a board
- Production of atypical dimensions in steps of 50 mm (150x150, 250x250,...) with fixed dimension „A“



Green board GKBi – impregnated for wet environment

Order no.	Article name	Weight	Installation size			Clear opening		Height	
			C1	C2	L	H	A1	T	V
TMD-5200	RDL 200x200x12.5 GKBi US (R)	0,85 kg	201	201	24	172	198	13	44
TMD-5201	RDL 200x300x12.5 GKBi US (R)	1,10 kg	201	301	24	272	198	13	44
TMD-5202	RDL 300x300x12.5 GKBi US (R)	1,45 kg	301	301	24	272	298	13	44
TMD-5203	RDL 300x400x12.5 GKBi US (R)	1,79 kg	301	401	24	372	298	13	44
TMD-5204	RDL 300x600x12.5 GKBi US (R)	2,48 kg	301	601	24	572	298	13	44
TMD-5205	RDL 400x400x12.5 GKBi US (R)	2,23 kg	401	401	24	372	398	13	44
TMD-5206	RDL 400x600x12.5 GKBi US (R)	3,11 kg	401	601	24	572	398	13	44
TMD-5207	RDL 500x500x12.5 GKBi US (R)	3,20 kg	501	501	24	472	498	13	44
TMD-5208	RDL 600x600x12.5 GKBi US (R)	4,36 kg	601	601	24	572	598	13	44
TMD-5209	RDL 700x700x12.5 GKBi US (R)	5,71 kg	701	701	24	672	698	13	44



PRESSED ALUMINUM INSPECTION DOORS

CLASSIC REMOVABLE 15 mm

push lock, removable

The doors are made from special aluminum profiles that are joined together using reinforced galvanized corners through a pressing process to form the outer and inner frames. The complete assembly is not connected with fixed hinges, allowing the door leaf to be removed if necessary.

In the standard version, this model is produced with a white or green board fixed to the inner frame with self-tapping screws.




The main advantages of this model include:

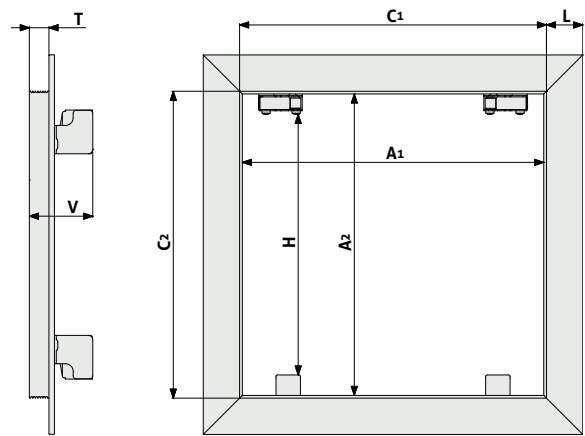
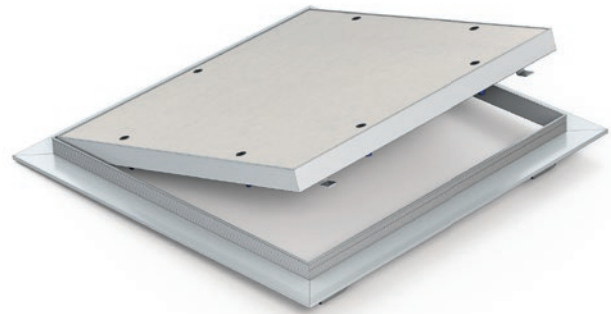
- Removable inner frame for larger clear opening
- Minimal gap
- Easily replaceable door leaf after installation

For higher security the doors are equipped with a safety cord that prevents accidental disconnection.

Possible customer options include:

- Different 15 mm board (GKF, GKFi, ...ect.)
- Possibility of delivery without board
- Production of atypical dimensions in steps of 50 mm (150x150, 250x250,...) with fixed dimension „A“

		
Wall	Ceiling	Push
Minimum size 150 mm x 150 mm		Maximum size 700 mm x 1200 mm



White board GKB for dry environment

Order no.	Article name	Weight	Installation size			Clear opening		Height	
			C1	C2	L	H	A1	T	V
TMD-5636	RDL 200x200x15 GKB US (R)	1,01 kg	201	201	24	172	198	15	46
TMD-5637	RDL 200x300x15 GKB US (R)	1,32 kg	201	301	24	272	198	15	46
TMD-5638	RDL 300x300x15 GKB US (R)	1,73 kg	301	301	24	272	298	15	46
TMD-5639	RDL 300x400x15 GKB US (R)	2,15 kg	301	401	24	372	298	15	46
TMD-5640	RDL 300x600x15 GKB US (R)	2,97 kg	301	601	24	572	298	15	46
TMD-5641	RDL 400x400x15 GKB US (R)	2,67 kg	401	401	24	372	398	15	46
TMD-5642	RDL 400x600x15 GKB US (R)	3,72 kg	401	601	24	572	398	15	46
TMD-5643	RDL 500x500x15 GKB US (R)	3,84 kg	501	501	24	472	498	15	46
TMD-5644	RDL 600x600x15 GKB US (R)	5,22 kg	601	601	24	572	598	15	46
TMD-5645	RDL 700x700x15 GKB US (R)	6,84 kg	701	701	24	672	698	15	46

Green board GKBi – impregnated for wet environment

Order no.	Article name	Weight	Installation size			Clear opening		Height	
			C1	C2	L	H	A1	T	V
TMD-5646	RDL 200x200x15 GKBi US (R)	1,10 kg	201	201	24	172	198	15	46
TMD-5647	RDL 200x300x15 GKBi US (R)	1,44 kg	201	301	24	272	198	15	46
TMD-5648	RDL 300x300x15 GKBi US (R)	1,92 kg	301	301	24	272	298	15	46
TMD-5649	RDL 300x400x15 GKBi US (R)	2,4 kg	301	401	24	372	298	15	46
TMD-5650	RDL 300x600x15 GKBi US (R)	3,35 kg	301	601	24	572	298	15	46
TMD-5651	RDL 400x400x15 GKBi US (R)	3,01 kg	401	401	24	372	398	15	46
TMD-5652	RDL 400x600x15 GKBi US (R)	4,23 kg	401	601	24	572	398	15	46
TMD-5653	RDL 500x500x15 GKBi US (R)	4,36 kg	501	501	24	472	498	15	46
TMD-5654	RDL 600x600x15 GKBi US (R)	5,22 kg	601	601	24	572	598	15	46
TMD-5655	RDL 700x700x15 GKBi US (R)	7,87 kg	701	701	24	672	698	15	46

PRESSED ALUMINUM INSPECTION DOORS

CLASSIC REMOVABLE 25 mm

push lock, removable

The doors are made from special aluminum profiles which are connected by pressing into the outer and inner frame using reinforced galvanized corners. The complete assembly is not connected with a fixed hinge allowing for the removal of the door leaf if necessary.

In the standard version, this model is produced with a white or green board fixed to the inner frame using self-tapping screws.

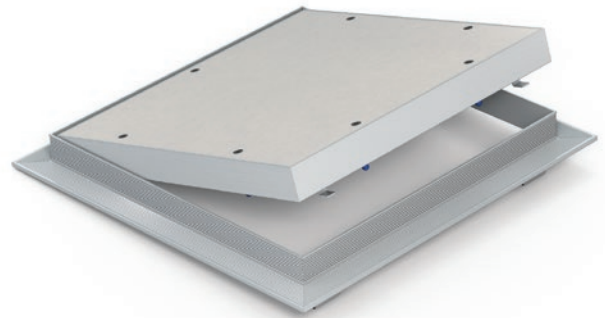
Main advantages of the model:




- Removable inner frame for larger clear opening
- Easily replaceable door leaf after installation

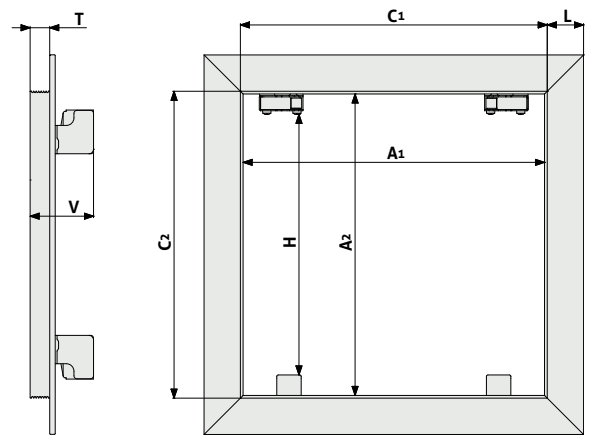
For higher safety the doors are equipped with a safety cable that prevents spontaneous dropping.

Possible custom options:

- Different 2 x 12.5 mm board (GKF, GKFi, blue acoustic)
- Possibility of delivery without a board
- Production of atypical dimensions in steps of 50 mm (150x150, 250x250,...) with fixed dimension „A“



		
Wall	Ceiling	Push
Minimum size 150 mm x 150 mm		Maximum size 800 mm x 800 mm



White board GKB for dry environment

Order no.	Article name	Weight	Installation size			Clear opening		Height	
			C1	C2	L	H	A1	T	V
TMD-5656	RDL 200x200x25 GKB US (R)	1,39 kg	202	202	24	174	198	25	57
TMD-5657	RDL 200x300x25 GKB US (R)	1,85 kg	202	302	24	274	198	25	57
TMD-5658	RDL 300x300x25 GKB US (R)	2,50 kg	302	302	24	274	298	25	57
TMD-5659	RDL 300x400x25 GKB US (R)	3,14 kg	302	402	24	374	298	25	57
TMD-5660	RDL 300x600x25 GKB US (R)	4,42 kg	302	602	24	574	298	25	57
TMD-5661	RDL 400x400x25 GKB US (R)	3,96 kg	402	402	24	374	398	25	57
TMD-5662	RDL 400x600x25 GKB US (R)	5,61 kg	402	602	24	574	398	25	57
TMD-5663	RDL 500x500x25 GKB US (R)	5,79 kg	502	502	24	474	498	25	57
TMD-5664	RDL 600x600x25 GKB US (R)	7,97 kg	602	602	24	574	598	25	57
TMD-5665	RDL 700x700x25 GKB US (R)	10,52 kg	702	702	24	674	698	25	57

Green board GKBi – impregnated for wet environment

Order no.	Article name	Weight	Installation size			Clear opening		Height	
			C1	C2	L	H	A1	T	V
TMD-5666	RDL 200x200x25 GKBi US (R)	1,41 kg	202	202	24	174	198	25	57
TMD-5667	RDL 200x300x25 GKBi US (R)	1,89 kg	202	302	24	274	198	25	57
TMD-5668	RDL 300x300x25 GKBi US (R)	2,55 kg	302	302	24	274	298	25	57
TMD-5669	RDL 300x400x25 GKBi US (R)	3,21 kg	302	402	24	374	298	25	57
TMD-5670	RDL 300x600x25 GKBi US (R)	4,53 kg	302	602	24	574	298	25	57
TMD-5671	RDL 400x400x25 GKBi US (R)	4,06 kg	402	402	24	374	398	25	57
TMD-5672	RDL 400x600x25 GKBi US (R)	5,75 kg	402	602	24	574	398	25	57
TMD-5673	RDL 500x500x25 GKBi US (R)	5,94 kg	502	502	24	474	498	25	57
TMD-5674	RDL 600x600x25 GKBi US (R)	8,19 kg	602	602	24	574	598	25	57
TMD-5675	RDL 700x700x25 GKBi US (R)	10,82 kg	702	702	24	674	698	25	57

PRESSED ALUMINUM INSPECTION DOORS

DUST-PROOF REMOVABLE 12.5 mm

push lock, removable, brush sealing



The doors are made of special aluminum profiles which are connected by pressing into an outer and inner frame using reinforced galvanized corners. The complete assembly is not connected by a fixed hinge allowing the door leaf to be removed if necessary. The inner frame includes a brush seal to prevent dust from the shaft from blowing into the room.

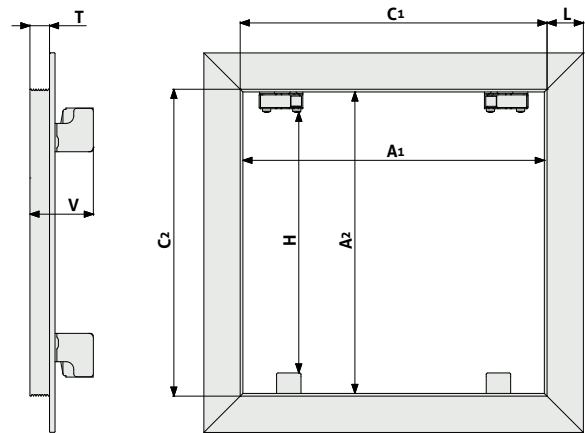
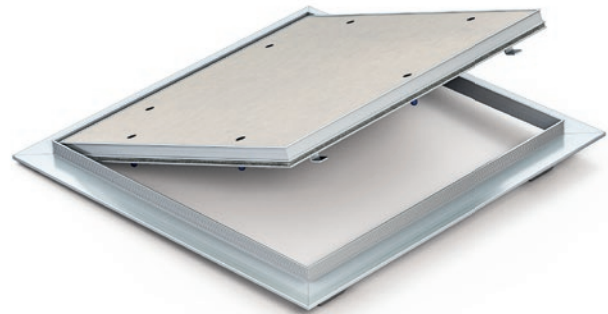
In the standard version it is produced with a white or green board fixed to the inner frame using self-tapping screws.

Main advantages of the model:

- Removable inner frame for larger clear opening
- Easily replaceable door leaf after installation
- Brush seal to capture dust

Convenient opening and closing is ensured by two push locks located at the corners of the outer frame.

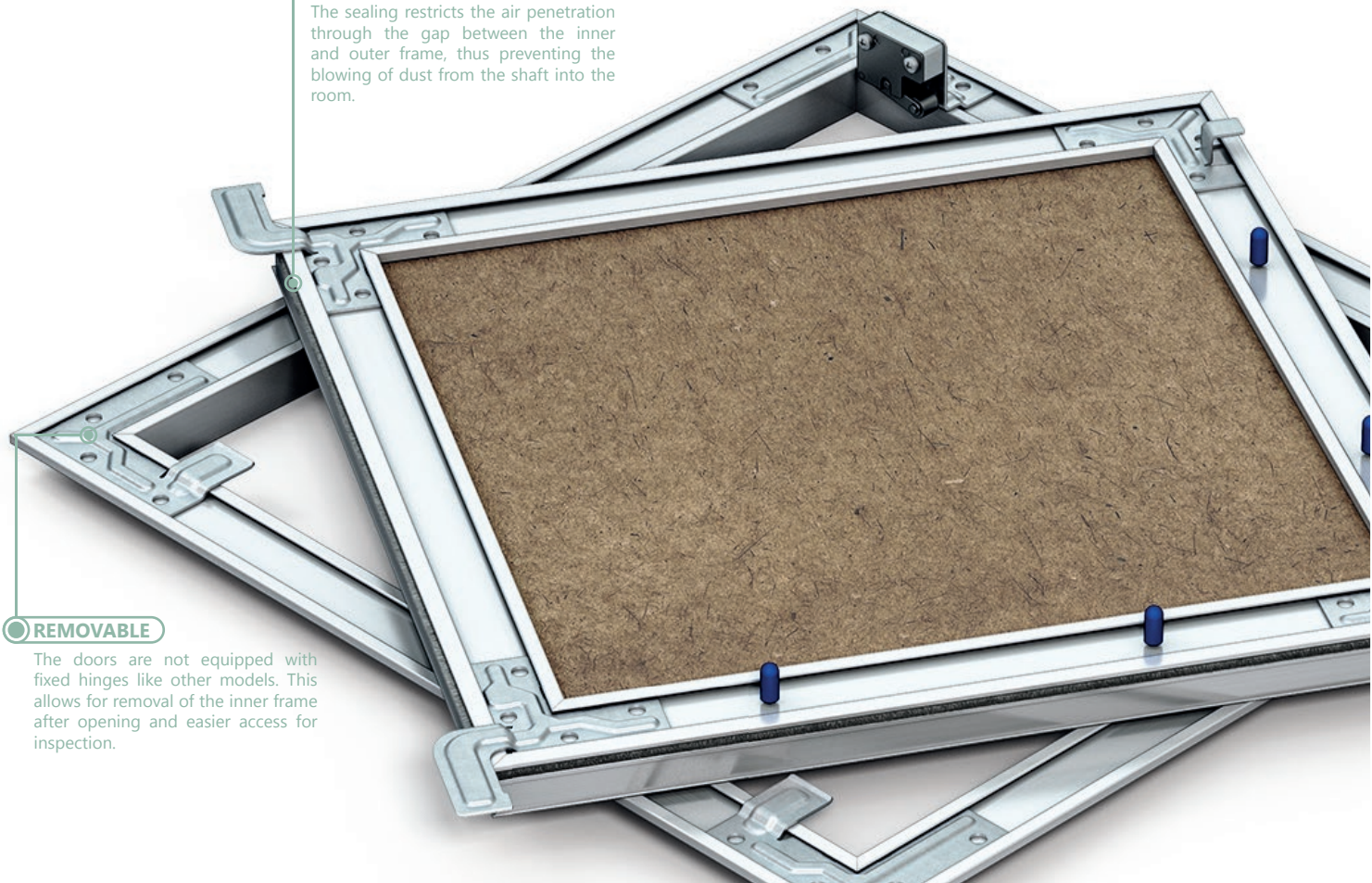
For higher security the doors are equipped with a safety cable to prevent accidental falling out.



Wall	Ceiling	Push	Dust
Minimum size 150 mm x 150 mm		Maximum size 1200 mm x 1200 mm	

BRUSH SEALING

The sealing restricts the air penetration through the gap between the inner and outer frame, thus preventing the blowing of dust from the shaft into the room.



REMOVABLE

The doors are not equipped with fixed hinges like other models. This allows for removal of the inner frame after opening and easier access for inspection.

White board GKB for dry environment

Order no.	Article name (A1 x A2)	Weight	Installation size			Clear opening		Height	
			C1	C2	L	H	A1	T	V
TMD-5210	RDLp 200x200x12.5 GKB US dust-proof (R)	0,84 kg	204	204	24	174	200	13	44
TMD-5211	RDLp 200x300x12.5 GKB US dust-proof (R)	1,09 kg	204	304	24	274	200	13	44
TMD-5212	RDLp 300x300x12.5 GKB US dust-proof (R)	1,42 kg	304	304	24	274	300	13	44
TMD-5213	RDLp 300x400x12.5 GKB US dust-proof (R)	1,76 kg	304	404	24	374	300	13	44
TMD-5214	RDLp 300x600x12.5 GKB US dust-proof (R)	2,43 kg	304	604	24	574	300	13	44
TMD-5215	RDLp 400x400x12.5 GKB US dust-proof (R)	2,18 kg	404	404	24	374	400	13	44
TMD-5216	RDLp 400x600x12.5 GKB US dust-proof (R)	3,04 kg	404	604	24	574	400	13	44
TMD-5217	RDLp 500x500x12.5 GKB US dust-proof (R)	3,13 kg	504	504	24	474	500	13	44
TMD-5218	RDLp 600x600x12.5 GKB US dust-proof (R)	4,26 kg	604	604	24	574	600	13	44
TMD-5219	RDLp 700x700x12.5 GKB US dust-proof (R)	5,57 kg	704	704	24	674	700	13	44

The doors were tested for air permeability in category 2 according to the ČSN EN 1026 standard. In addition to meeting this standard, square key lock is placed in the center between the push locks. This type of door is only produced in a single-leaf version.

Possible customer-requested options include:

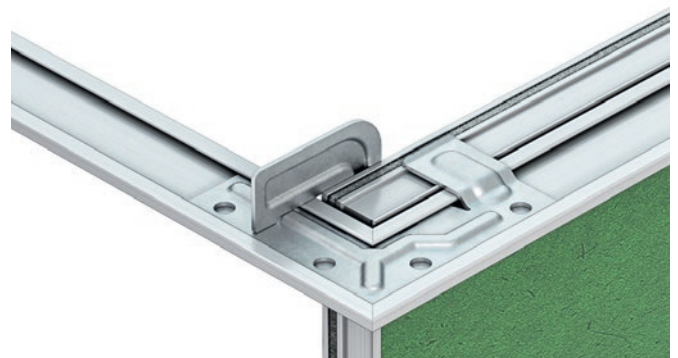
- Different 12.5 mm board (GKF, GKF_i, blue acoustic,...)
- Possibility of delivery without a board
- Production of atypical dimensions in steps of 50 mm (150x150, 250x250,...) with fixed dimension „A“



Rooms with high humidity such as bathrooms or toilets require the use of a more durable green board which contains an impregnated layer.

Green board GKB_i – impregnated for wet environment

Order no.	Article name (A1 x A2)	Weight	Installation size			Clear opening		Height	
			C1	C2	L	H	A1	T	V
TMD-5220	RDLp 200x200x12.5 GKB _i US dust-proof (R)	0,85 kg	204	204	24	174	200	13	44
TMD-5221	RDLp 200x300x12.5 GKB _i US dust-proof (R)	1,10 kg	204	304	24	274	200	13	44
TMD-5222	RDLp 300x300x12.5 GKB _i US dust-proof (R)	1,45 kg	304	304	24	274	300	13	44
TMD-5223	RDLp 300x400x12.5 GKB _i US dust-proof (R)	1,79 kg	304	404	24	374	300	13	44
TMD-5224	RDLp 300x600x12.5 GKB _i US dust-proof (R)	2,48 kg	304	604	24	574	300	13	44
TMD-5225	RDLp 400x400x12.5 GKB _i US dust-proof (R)	2,23 kg	404	404	24	374	400	13	44
TMD-5226	RDLp 400x600x12.5 GKB _i US dust-proof (R)	3,11 kg	404	604	24	574	400	13	44
TMD-5227	RDLp 500x500x12.5 GKB _i US dust-proof (R)	3,20 kg	504	504	24	474	500	13	44
TMD-5228	RDLp 600x600x12.5 GKB _i US dust-proof (R)	4,36 kg	604	604	24	574	600	13	44
TMD-5229	RDLp 700x700x12.5 GKB _i US dust-proof (R)	5,71 kg	704	704	24	674	700	13	44



DUST-PROOF REMOVABLE 15 mm

push lock, removable, brush sealing

The doors are made from special aluminum profiles that are joined together by pressing them into the outer and inner frames using reinforced galvanized corners. The complete assembly is not connected by a fixed hinge which allows for the removal of the door leaf if necessary. The inner frame includes a brush seal that prevents dust from the shaft from entering the room.

In the standard version the doors are manufactured with a white or green board attached to the inner frame using self-tapping screws.




Main advantages of the model:

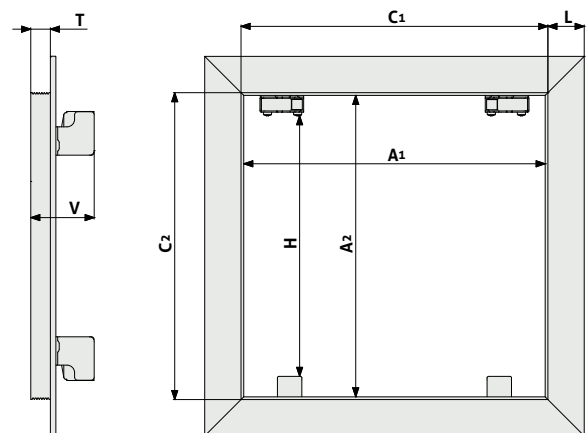
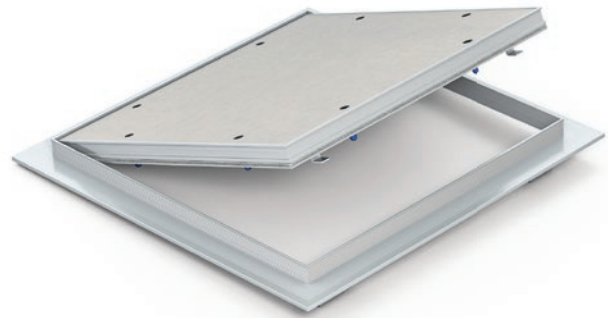
- Removable inner frame for larger clear opening
- Easily replaceable door leaf after installation
- Brush seal to capture dust

For higher security the doors are equipped with a safety cable that prevents them from falling out on their own.

Possible options upon customer request:

- Different 15 mm board (GKF, GKFi, ...ect.)
- Possibility of delivery without board
- Production of atypical dimensions in steps of 50 mm (150x150, 250x250,...) with fixed dimension „A“

			
Wall	Ceiling	Push	Dust
Minimum size 150 mm x 150 mm		Maximum size 700 mm x 1200 mm	



White board GKB for dry environment

Order no.	Article name (A1 x A2)	Weight	Installation size			Clear opening		Height	
			C1	C2	L	H	A1	T	V
TMD-5676	RDLp 200x200x15 GKB US dust-proof (R)	1,02 kg	204	204	24	174	200	15	46
TMD-5677	RDLp 200x300x15 GKB US dust-proof (R)	1,33 kg	204	304	24	274	200	15	46
TMD-5678	RDLp 300x300x15 GKB US dust-proof (R)	1,75 kg	304	304	24	274	300	15	46
TMD-5679	RDLp 300x400x15 GKB US dust-proof (R)	2,16 kg	304	404	24	374	300	15	46
TMD-5680	RDLp 300x600x15 GKB US dust-proof (R)	2,99 kg	304	604	24	574	300	15	46
TMD-5681	RDLp 400x400x15 GKB US dust-proof (R)	2,69 kg	404	404	24	374	400	15	46
TMD-5682	RDLp 400x600x15 GKB US dust-proof (R)	3,75 kg	404	604	24	574	400	15	46
TMD-5683	RDLp 500x500x15 GKB US dust-proof (R)	3,86 kg	504	504	24	474	500	15	46
TMD-5684	RDLp 600x600x15 GKB US dust-proof (R)	5,25 kg	604	604	24	574	600	15	46
TMD-5685	RDLp 700x700x15 GKB US dust-proof (R)	6,87 kg	704	704	24	674	700	15	46

Green board GKBi – impregnated for wet environment

Order no.	Article name (A1 x A2)	Weight	Installation size			Clear opening		Height	
			C1	C2	L	H	A1	T	V
TMD-5686	RDLp 200x200x15 GKBi US dust-proof (R)	1,11 kg	204	204	24	174	200	15	46
TMD-5687	RDLp 200x300x15 GKBi US dust-proof (R)	1,45 kg	204	304	24	274	300	15	46
TMD-5688	RDLp 300x300x15 GKBi US dust-proof (R)	1,93 kg	304	304	24	274	300	15	46
TMD-5689	RDLp 300x400x15 GKBi US dust-proof (R)	2,41 kg	304	404	24	374	300	15	46
TMD-5690	RDLp 300x600x15 GKBi US dust-proof (R)	3,37 kg	304	604	24	574	300	15	46
TMD-5691	RDLp 400x400x15 GKBi US dust-proof (R)	3,03 kg	404	404	24	374	400	15	46
TMD-5692	RDLp 400x600x15 GKBi US dust-proof (R)	4,25 kg	404	604	24	574	400	15	46
TMD-5693	RDLp 500x500x15 GKBi US dust-proof (R)	4,39 kg	504	504	24	474	500	15	46
TMD-5694	RDLp 600x600x15 GKBi US dust-proof (R)	6,01 kg	604	604	24	574	600	15	46
TMD-5695	RDLp 700x700x15 GKBi US dust-proof (R)	7,90 kg	704	704	24	674	700	15	46

PRESSED ALUMINUM INSPECTION DOORS

DUST-PROOF REMOVABLE 25mm

push lock, removable, brush sealing

The doors are made from special aluminum profiles which are joined by pressing into the outer and inner frame using reinforced galvanized corners. The complete assembly is not connected by a fixed hinge, allowing for the removal of the door leaf if necessary. The inner frame includes a brush seal which prevents dust from the shaft from blowing into the room.

In the standard version, the door is manufactured with a white or green board, fixed to the inner frame using self-tapping screws.

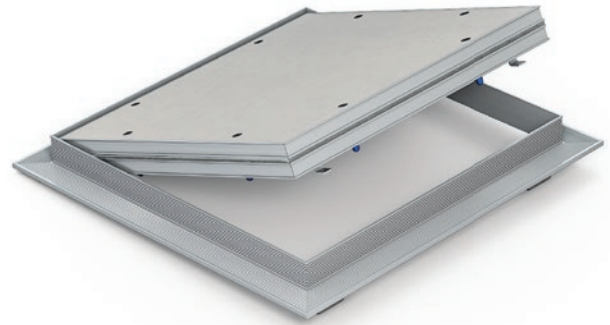
Main advantages of the model:

- Removable inner frame for larger clear opening
- Easily replaceable door leaf after installation
- Brush seal to capture dust

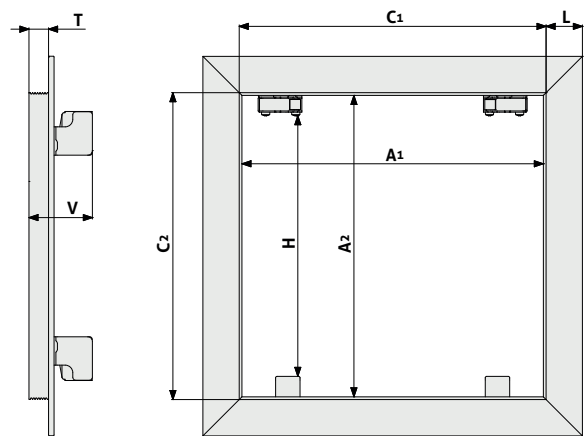
For higher safety the door is equipped with a safety cable to prevent it from falling out.

Possible customer options:

- Different 2 x 12,5 mm board (GKF, GKFi, blue acoustic, ...etc.)
- Possibility of delivery without board
- Production of atypical dimensions in steps of 50 mm (150x150, 250x250,...) with fixed dimension „A“



Wall	Ceiling	Push	Dust
Minimum size 150 mm x 150 mm		Maximum size 800 mm x 800 mm	



White board GKB for dry environment

Order no.	Article name (A1 x A2)	Weight	Installation size			Clear opening		Height	
			C1	C2	L	H	A1	T	V
TMD-5696	RDLP 200x200x25 GKB US dust-proof (R)	1,40 kg	204	204	24	174	200	25	57
TMD-5697	RDLP 200x300x25 GKB US dust-proof (R)	1,87 kg	204	304	24	274	200	25	57
TMD-5698	RDLP 300x300x25 GKB US dust-proof (R)	2,51 kg	304	304	24	274	300	25	57
TMD-5699	RDLP 300x400x25 GKB US dust-proof (R)	3,16 kg	304	404	24	374	300	25	57
TMD-5700	RDLP 300x600x25 GKB US dust-proof (R)	4,45 kg	304	604	24	574	300	25	57
TMD-5701	RDLP 400x400x25 GKB US dust-proof (R)	3,99 kg	404	404	24	374	400	25	57
TMD-5702	RDLP 400x600x25 GKB US dust-proof (R)	5,64 kg	404	604	24	574	400	25	57
TMD-5703	RDLP 500x500x25 GKB US dust-proof (R)	5,82 kg	504	504	24	474	500	25	57
TMD-5704	RDLP 600x600x25 GKB US dust-proof (R)	8,01 kg	604	604	24	574	600	25	57
TMD-5705	RDLP 700x700x15 GKB US dust-proof (R)	10,56 kg	704	704	24	674	700	25	57

Green board GKBi – impregnated for wet environment

Order no.	Article name (A1 x A2)	Weight	Installation size			Clear opening		Height	
			C1	C2	L	H	A1	T	V
TMD-5706	RDLP 200x200x25 GKBi US dust-proof (R)	1,42 kg	204	204	24	174	200	25	57
TMD-5707	RDLP 200x300x25 GKBi US dust-proof (R)	1,90 kg	204	304	24	274	200	25	57
TMD-5708	RDLP 300x300x25 GKBi US dust-proof (R)	2,57 kg	304	304	24	274	300	25	57
TMD-5709	RDLP 300x400x25 GKBi US dust-proof (R)	3,23 kg	304	404	24	374	300	25	57
TMD-5710	RDLP 300x600x25 GKBi US dust-proof (R)	4,56 kg	304	604	24	574	300	25	57
TMD-5711	RDLP 400x400x25 GKBi US dust-proof (R)	4,08 kg	404	404	24	374	400	25	57
TMD-5712	RDLP 400x600x25 GKBi US dust-proof (R)	5,78 kg	404	604	24	574	400	25	57
TMD-5713	RDLP 500x500x25 GKBi US dust-proof (R)	5,97 kg	504	504	24	474	500	25	57
TMD-5714	RDLP 600x600x25 GKBi US dust-proof (R)	8,23 kg	604	604	24	574	600	25	57
TMD-5715	RDLP 700x700x25 GKBi US dust-proof (R)	10,86 kg	704	704	24	674	700	25	57

PRESSED ALUMINUM INSPECTION DOORS

AIR-TIGHT REMOVABLE 12.5 mm

push lock, removable, rubber sealing



The doors are made of special aluminum profiles which are joined to the outer and inner frame by pressing them together with reinforced galvanized corners. The complete assembly is not connected by a fixed hinge and allows for the removal of the door leaf if necessary.

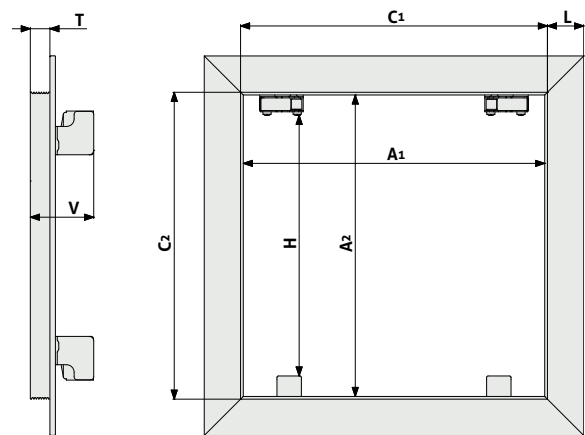
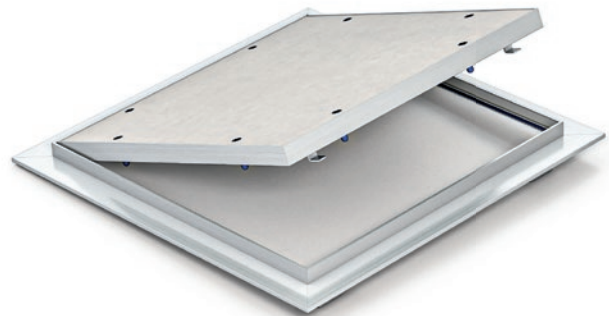
The outer frame of the door is fitted with a rubber seal to prevent air infiltration. In the standard version this model is produced with a white or green panel attached to the inner frame with self-tapping screws.

Main advantages of the model:

- Rubber seal tested for air tightness
- Removable inner frame for larger clear opening
- Easily replaceable door leaf after installation

Convenient opening and closing is guaranteed by two push locks located at the corners of the outer frame. Pushing on the inner frame panel at the lock point causes the latch to snap in or out.

For greater safety the doors are equipped with a safety cable that prevents them from falling out on their own.



Wall	Ceiling	Push	Dust	Air-tight
Minimum size 150 mm x 150 mm		Maximum size 1200 mm x 1200 mm		

RUBBER SEALING

The sealing prevents the air from passing through the gap between the inner and outer frames. It also prevents dust from the shaft from blowing into the room.

REMOVABLE

The doors are not equipped with fixed hinges, as in other models. This allows for the removal of the inner frame after opening and easier access for inspection.

PRESSED

The outer and inner frames are connected together using metal corners that reinforce the entire assembly. The corners are pressed into the profiles which prevents them from coming loose.



White board GKB for dry environment

Order no.	Article name (A1 x A2)	Weight	Installation size			Clear opening		Height	
			C1	C2	L	H	A1	T	V
TMD-5230	RDLv 200x200x12.5 GKB US air-tight (R)	0,84 kg	205	205	24	176	200	13	44
TMD-5231	RDLv 200x300x12.5 GKB US air-tight (R)	1,09 kg	205	305	24	276	200	13	44
TMD-5232	RDLv 300x300x12.5 GKB US air-tight (R)	1,42 kg	305	305	24	276	300	13	44
TMD-5233	RDLv 300x400x12.5 GKB US air-tight (R)	1,76 kg	305	405	24	376	300	13	44
TMD-5234	RDLv 300x600x12.5 GKB US air-tight (R)	2,43 kg	305	605	24	576	300	13	44
TMD-5235	RDLv 400x400x12.5 GKB US air-tight (R)	2,18 kg	405	405	24	376	400	13	44
TMD-5236	RDLv 400x600x12.5 GKB US air-tight (R)	3,04 kg	405	605	24	576	400	13	44
TMD-5237	RDLv 500x500x12.5 GKB US air-tight (R)	3,13 kg	505	505	24	476	500	13	44
TMD-5238	RDLv 600x600x12.5 GKB US air-tight (R)	4,26 kg	605	605	24	576	600	13	44
TMD-5239	RDLv 700x700x12.5 GKB US air-tight (R)	5,57 kg	705	705	24	676	700	13	44

The doors have been tested for air permeability in category 4 according to the standard ČSN EN 1026. In addition, square key lock is placed in the center between the push locks when this standard is required. This type of door is only manufactured as a single-leaf variant.

Possible customer options:

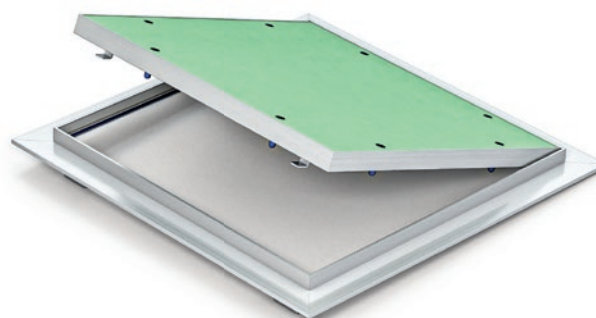
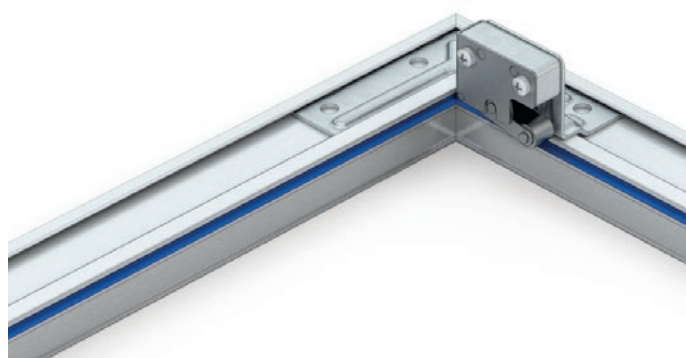
- Different 12.5 mm board (GKF, GKFi, blue acoustic, ...etc.)
- Possibility of delivery without a board
- Production of atypical dimensions in steps of 50 mm (150x150, 250x250,...) with fixed dimension „A“



Rooms with high humidity such as bathrooms or toilets require the use of a more durable green board which contains an impregnated layer.

Green board GKBi – impregnated for wet environment

Order no.	Article name (A1 x A2)	Weight	Installation size			Clear opening		Height	
			C1	C2	L	H	A1	T	V
TMD-5240	RDLv 200x200x12.5 GKBi US air-tight (R)	0,85 kg	205	205	24	176	200	13	44
TMD-5241	RDLv 200x300x12.5 GKBi US air-tight (R)	1,10 kg	205	305	24	276	200	13	44
TMD-5242	RDLv 300x300x12.5 GKBi US air-tight (R)	1,45 kg	305	305	24	276	300	13	44
TMD-5243	RDLv 300x400x12.5 GKBi US air-tight (R)	1,79 kg	305	405	24	376	300	13	44
TMD-5244	RDLv 300x600x12.5 GKBi US air-tight (R)	2,48 kg	305	605	24	576	300	13	44
TMD-5245	RDLv 400x400x12.5 GKBi US air-tight (R)	2,23 kg	405	405	24	376	400	13	44
TMD-5246	RDLv 400x600x12.5 GKBi US air-tight (R)	3,11 kg	405	605	24	576	400	13	44
TMD-5247	RDLv 500x500x12.5 GKBi US air-tight (R)	3,20 kg	505	505	24	476	500	13	44
TMD-5248	RDLv 600x600x12.5 GKBi US air-tight (R)	4,36 kg	605	605	24	576	600	13	44
TMD-5249	RDLv 700x700x12.5 GKBi US air-tight (R)	5,71 kg	705	705	24	676	700	13	44



* The color of the seal is for illustrative purposes only. The actual color may vary.

PRESSED ALUMINUM INSPECTION DOORS

AIR-TIGHT REMOVABLE 15 mm

push lock, removable, rubber sealing

The doors are made of special aluminum profiles which are joined by pressing into the outer and inner frames using reinforced galvanized corners. The complete assembly is not joined by a fixed hinge allowing the door leaf to be removed if necessary.

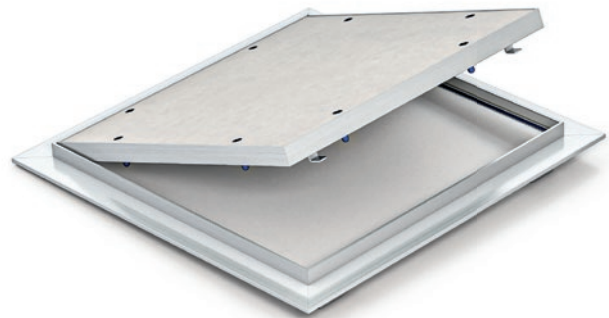
The outer frame of the door is equipped with a rubber seal that prevents air from entering. In the standard version this model is produced with a white or green board fastened to the inner frame using self-tapping screws.

Main advantages of the model:

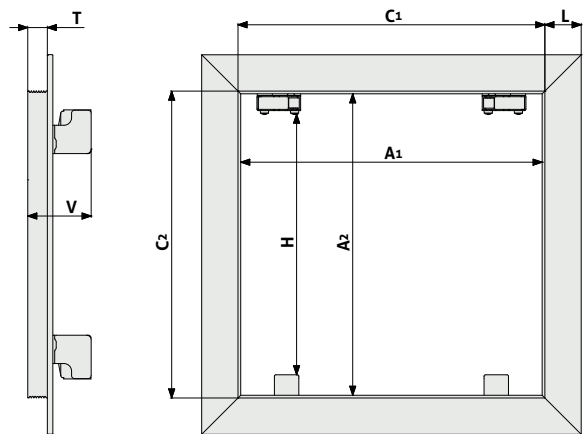
- Rubber sealing tested for air permeability
- Removable inner frame for larger clear opening
- Safety cable included
- Easily replaceable door leaf after installation

For higher security the doors are equipped with a safety cable that prevents them from falling out on their own.

- Different 15 mm board (GKF, GKFi, ...etc.)
- Possibility of delivery without a board
- Production of atypical dimensions in steps of 50 mm (150x150, 250x250,...) with fixed dimension „A“



Wall	Ceiling	Push	Dust	Air-tight
Minimum size 150 mm x 150 mm		Maximum size 700 mm x 1200 mm		



White board GKB for dry environment

Order no.	Article name (A1 x A2)	Weight	Installation size			Clear opening		Height	
			C1	C2	L	H	A1	T	V
TMD-5716	RDLv 200x200x15 GKB US air-tight (R)	1,01 kg	205	205	24	176	200	15	46
TMD-5717	RDLv 200x300x15 GKB US air-tight (R)	1,32 kg	205	305	24	276	200	15	46
TMD-5718	RDLv 300x300x15 GKB US air-tight (R)	1,73 kg	305	305	24	276	300	15	46
TMD-5719	RDLv 300x400x15 GKB US air-tight (R)	2,15 kg	305	405	24	376	300	15	46
TMD-5720	RDLv 300x600x15 GKB US air-tight (R)	2,98 kg	305	605	24	576	300	15	46
TMD-5721	RDLv 400x400x15 GKB US air-tight (R)	2,68 kg	405	405	24	376	400	15	46
TMD-5722	RDLv 400x600x15 GKB US air-tight (R)	3,73 kg	405	605	24	576	400	15	46
TMD-5723	RDLv 500x500x15 GKB US air-tight (R)	3,84 kg	505	505	24	476	500	15	46
TMD-5724	RDLv 600x600x15 GKB US air-tight (R)	5,23 kg	605	605	24	576	600	15	46
TMD-5725	RDLv 700x700x15 GKB US air-tight (R)	6,84 kg	705	705	24	676	700	15	46

Green board GKBi – impregnated for wet environment

Order no.	Article name (A1 x A2)	Weight	Installation size			Pure manhole		Height	
			C1	C2	L	H	A1	T	V
TMD-5726	RDLv 200x200x15 GKBi US air-tight (R)	1,10 kg	205	205	24	176	200	15	46
TMD-5727	RDLv 200x300x15 GKBi US air-tight (R)	1,45 kg	205	305	24	276	200	15	46
TMD-5728	RDLv 300x300x15 GKBi US air-tight (R)	1,92 kg	305	305	24	276	300	15	46
TMD-5729	RDLv 300x400x15 GKBi US air-tight (R)	2,40 kg	305	405	24	376	300	15	46
TMD-5730	RDLv 300x600x15 GKBi US air-tight (R)	3,36 kg	305	605	24	576	300	15	46
TMD-5731	RDLv 400x400x15 GKBi US air-tight (R)	3,01 kg	405	405	24	376	400	15	46
TMD-5732	RDLv 400x600x15 GKBi US air-tight (R)	4,23 kg	405	605	24	576	400	15	46
TMD-5733	RDLv 500x500x15 GKBi US air-tight (R)	4,37 kg	505	505	24	476	500	15	46
TMD-5734	RDLv 600x600x15 GKBi US air-tight (R)	5,99 kg	605	605	24	576	600	15	46
TMD-5735	RDLv 700x700x15 GKBi US air-tight (R)	7,87 kg	705	705	24	676	700	15	46

PRESSED ALUMINUM INSPECTION DOORS

AIR-TIGHT REMOVABLE 25 mm

push lock, removable, rubber sealing

The doors are made of special aluminum profiles which are connected by pressing into an outer and inner frame using reinforced galvanized corners. The complete assembly is not connected by a fixed hinge allowing the door wings to be removed if necessary.

The outer frame of the doors is equipped with a rubber seal to prevent air infiltration. In the standard version this model is produced with a white or green panel attached to the inner frame using self-tapping screws.

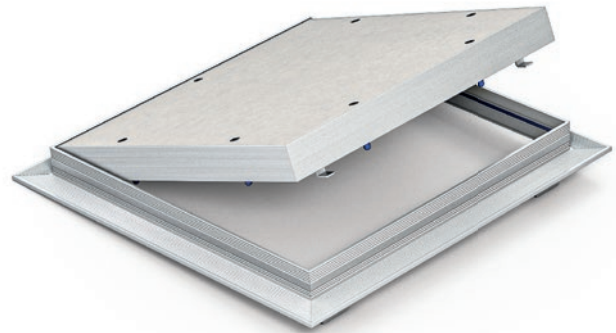
Main advantages of the model:

- Rubber sealing tested for air permeability
- Removable inner frame for larger clear opening
- Safety cable included
- Easily replaceable door leaf after installation

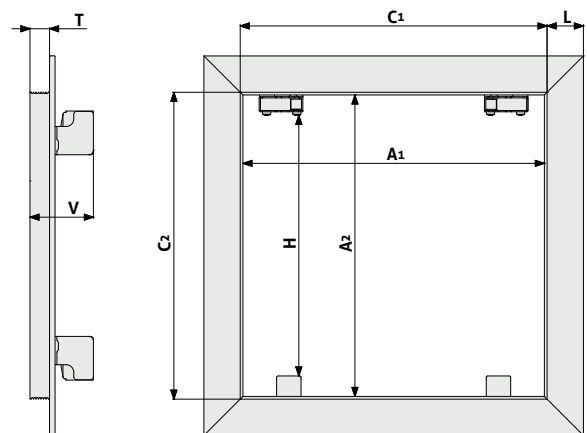
For higher safety the doors are equipped with a safety cable to prevent accidental dropping.

Possible customer options:

- Different 2 x 12.5 mm board (GKF, GKFi, blue acoustic,...ect.)
- Possibility of delivery without a board
- Production of atypical dimensions in steps of 50 mm (150x150, 250x250,...) with fixed dimension „A“



Wall	Ceiling	Push	Dust	Air-tight
Minimum size 150 mm x 150 mm		Maximum size 800 mm x 800 mm		



White board GKB for dry environment

Order no.	Article name (A1 x A2)	Weight	Installation size			Clear opening		Height	
			C1	C2	L	H	A1	T	V
TMD-5736	RDLv 200x200x25 GKB US air-tight (R)	1,39 kg	205	205	24	176	200	25	57
TMD-5737	RDLv 200x300x25 GKB US air-tight (R)	1,86 kg	205	305	24	276	200	25	57
TMD-5738	RDLv 300x300x25 GKB US air-tight (R)	2,50 kg	305	305	24	276	300	25	57
TMD-5739	RDLv 300x400x25 GKB US air-tight (R)	3,15 kg	305	405	24	376	300	25	57
TMD-5740	RDLv 300x600x25 GKB US air-tight (R)	4,44 kg	305	605	24	576	300	25	57
TMD-5741	RDLv 400x400x25 GKB US air-tight (R)	3,97 kg	405	405	24	376	400	25	57
TMD-5742	RDLv 400x600x25 GKB US air-tight (R)	5,62 kg	405	605	24	576	400	25	57
TMD-5743	RDLv 500x500x25 GKB US air-tight (R)	5,80 kg	505	505	24	476	500	25	57
TMD-5744	RDLv 600x600x25 GKB US air-tight (R)	7,99 kg	605	605	24	576	600	25	57
TMD-5745	RDLv 700x700x25 GKB US air-tight (R)	10,54 kg	705	705	24	676	700	25	57

Green board GKBi – impregnated for wet environment

Order no.	Article name (A1 x A2)	Weight	Installation size			Clear opening		Height	
			C1	C2	L	H	A1	T	V
TMD-5746	RDLv 200x200x25 GKBi US air-tight (R)	1,41 kg	205	205	24	176	200	25	57
TMD-5747	RDLv 200x300x25 GKBi US air-tight (R)	1,89 kg	205	305	24	276	200	25	57
TMD-5748	RDLv 300x300x25 GKBi US air-tight (R)	2,56 kg	305	305	24	276	300	25	57
TMD-5749	RDLv 300x400x25 GKBi US air-tight (R)	3,22 kg	305	405	24	376	300	25	57
TMD-5750	RDLv 300x600x25 GKBi US air-tight (R)	4,54 kg	305	605	24	576	300	25	57
TMD-5751	RDLv 400x400x25 GKBi US air-tight (R)	4,07 kg	405	405	24	376	400	25	57
TMD-5752	RDLv 400x600x25 GKBi US air-tight (R)	5,76 kg	405	605	24	576	400	25	57
TMD-5753	RDLv 500x500x25 GKBi US air-tight (R)	5,95 kg	505	505	24	476	500	25	57
TMD-5754	RDLv 600x600x25 GKBi US air-tight (R)	8,21 kg	605	605	24	576	600	25	57
TMD-5755	RDLv 700x700x25 GKBi US air-tight (R)	10,83 kg	705	705	24	676	700	25	57

PRESSED ALUMINUM INSPECTION DOORS

CLASSIC HINGED 12.5 mm

push lock, fixed hinges

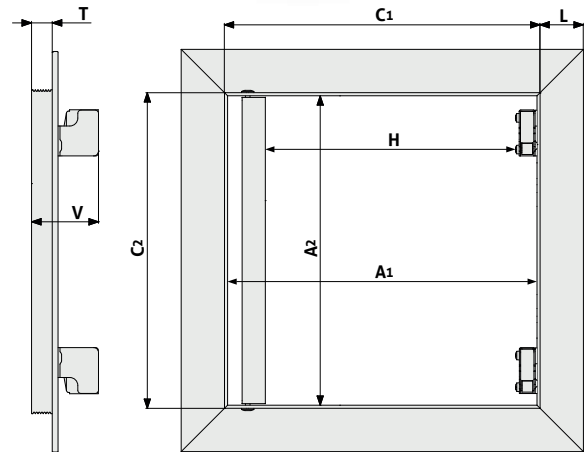
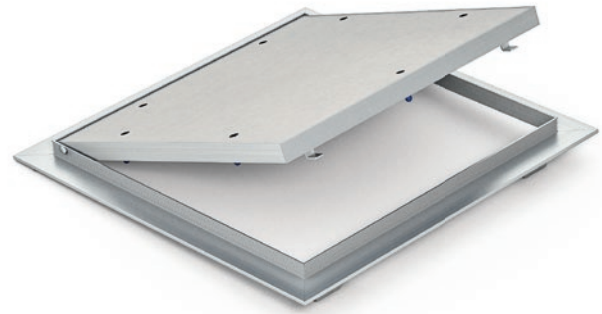
The doors are made from special aluminum profiles that are connected by pressing them together into an outer and inner frame using reinforced galvanized corners. The complete assembly is connected by a fixed hinge allowing the door leaf to be opened when necessary.




In the standard version this model is manufactured with a white or green board attached to the inner frame using self-tapping screws.

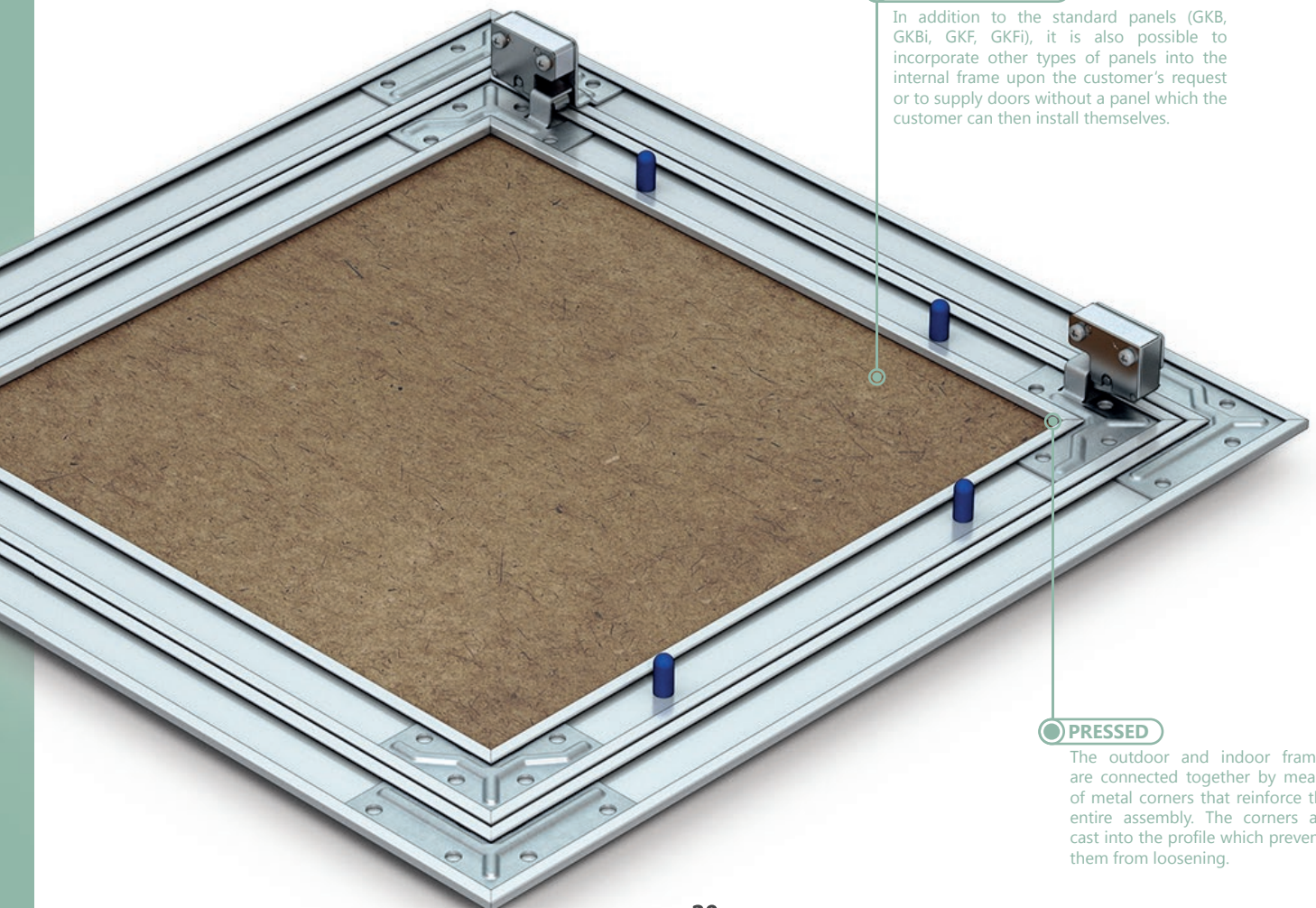
Main advantages of the model:

- Reinforced pressed corners
- Easily openable push lock
- Firmly anchored inner leaf

Convenient opening and closing is ensured by two push locks located in the corners of the outer frame. Pressing the board of the inner frame at the lock position causes the latch to snap in or out.



 Wall	 Ceiling	 Push
Minimum size 150 mm x 150 mm		Maximum size 900 mm x 900 mm



VARIABLE INFILL

In addition to the standard panels (GKB, GKBi, GKF, GKFi), it is also possible to incorporate other types of panels into the internal frame upon the customer's request or to supply doors without a panel which the customer can then install themselves.

PRESSED

The outdoor and indoor frames are connected together by means of metal corners that reinforce the entire assembly. The corners are cast into the profile which prevents them from loosening.

White board GKB for dry environment

Order no.	Article name (A1 x A2)	Weight	Installation size			Clear opening		Height	
			C1	C2	L	H	A1	T	V
TMD-5250	RDL 200x200x12.5 GKB US	0,85 kg	203	203	24	149	200	13	44
TMD-5251	RDL 200x300x12.5 GKB US	1,10 kg	203	303	24	249	200	13	44
TMD-5252	RDL 300x300x12.5 GKB US	1,44 kg	303	303	24	249	300	13	44
TMD-5253	RDL 300x400x12.5 GKB US	1,78 kg	303	403	24	349	300	13	44
TMD-5254	RDL 300x600x12.5 GKB US	2,48 kg	303	603	24	549	300	13	44
TMD-5255	RDL 400x400x12.5 GKB US	2,21 kg	403	403	24	349	400	13	44
TMD-5433	RDL 400x600x12.5 GKB US	3,07 kg	403	603	24	549	400	13	44
TMD-5257	RDL 500x500x12.5 GKB US	3,16 kg	503	503	24	449	500	13	44
TMD-5258	RDL 600x600x12.5 GKB US	4,29 kg	603	603	24	549	600	13	44
TMD-5259	RDL 700x700x12.5 GKB US	5,59 kg	703	703	24	649	700	13	44

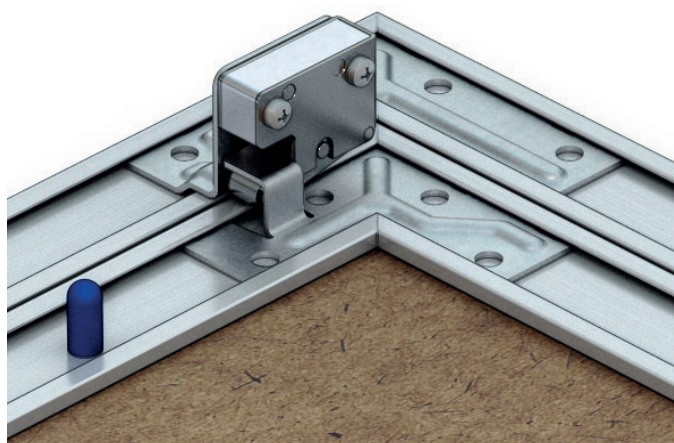
Possible custom options:

- Different 12.5 mm board (GKF, GKFi, blue acoustic, perforated...)
- Possibility of delivery without a board
- Production of non-standard dimensions in increments of 50 mm (150x150, 250x250,...) with fixed dimension „A“.

Rooms with higher humidity levels such as bathrooms or toilets require the use of a more durable green panel which contains an impregnated layer.

Green board GKBi – impregnated for wet environment

Order no.	Article name (A1 x A2)	Weight	Installation size			Clear opening		Height	
			C1	C2	L	H	A1	T	V
TMD-5260	RDL 200x200x12.5 GKBi US	0,89 kg	203	203	24	149	200	13	44
TMD-5261	RDL 200x300x12.5 GKBi US	1,14 kg	203	303	24	249	200	13	44
TMD-5262	RDL 300x300x12.5 GKBi US	1,49 kg	303	303	24	249	300	13	44
TMD-5263	RDL 300x400x12.5 GKBi US	1,83 kg	303	403	24	349	300	13	44
TMD-5264	RDL 300x600x12.5 GKBi US	2,51 kg	303	603	24	549	300	13	44
TMD-5265	RDL 400x400x12.5 GKBi US	2,28 kg	403	403	24	349	400	13	44
TMD-5266	RDL 400x600x12.5 GKBi US	3,15 kg	403	603	24	549	400	13	44
TMD-5267	RDL 500x500x12.5 GKBi US	3,24 kg	503	503	24	449	500	13	44
TMD-5268	RDL 600x600x12.5 GKBi US	4,39 kg	603	603	24	549	600	13	44
TMD-5269	RDL 700x700x12.5 GKBi US	5,74 kg	703	703	24	649	700	13	44



PRESSED ALUMINUM INSPECTION DOORS

CLASSIC HINGED 15 mm

push lock, fixed hinges

The doors are made of special aluminum profiles which are joined to the outdoor and indoor frames by means of reinforced galvanized corners through pressing. The complete assembly is connected by means of a fixed hinge, which allows the door to be opened if necessary.

In the standard version this model is manufactured with a white or green panel, attached to the inner frame using self-tapping screws.

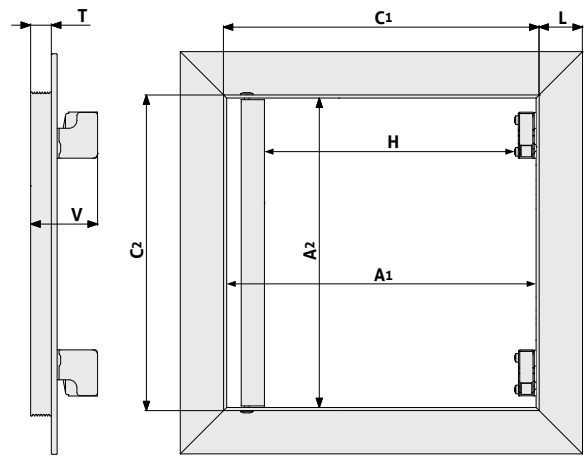
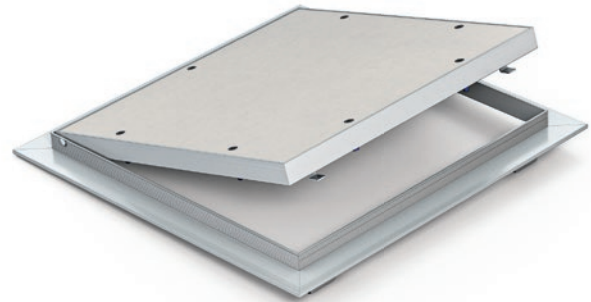
Main advantages of the model:




- Easy-to-open push lock
- Firmly anchored inner leaf

Convenient opening and closing are ensured by two push locks located in the corners of the outdoor frame. Pressing the inner panel at the lock position causes the latch to snap in or out.

Possible custom options:

- Different 15 mm board (GKF, GKFi, ...ect.)
- Possibility of delivery without a board
- Production of non-standard dimensions in increments of 50 mm (150x150, 250x250,...) with fixed dimension „A“.



		
Wall	Ceiling	Push
Minimum size 150 mm x 150 mm		Maximum size 700 mm x 1000 mm

White board GKB for dry environment

Order no.	Article name (A1 x A2)	Weight	Installation size			Clear opening		Height	
			C1	C2	L	H	A1	T	V
TMD-6005	RDL 200x200x15 GKB US	1,01 kg	204	204	24	148	200	15	46
TMD-6007	RDL 300x300x15 GKB US	1,73 kg	304	304	24	248	300	15	46
TMD-6009	RDL 400x400x15 GKB US	2,67 kg	404	404	24	348	400	15	46
TMD-6011	RDL 500x500x15 GKB US	3,84 kg	504	504	24	448	500	15	46
TMD-6013	RDL 600x600x15 GKB US	5,22 kg	604	604	24	548	600	15	46

Green board GKBi – impregnated for wet environment

Order no.	Article name (A1 x A2)	Weight	Installation size			Clear opening		Height	
			C1	C2	L	H	A1	T	V
TMD-6006	RDL 200x200x15 GKBi US	1,10 kg	204	204	24	148	200	15	46
TMD-6008	RDL 300x300x15 GKBi US	1,92 kg	304	304	24	248	300	15	46
TMD-6010	RDL 400x400x15 GKBi US	3,01 kg	404	404	24	348	400	15	46
TMD-6012	RDL 500x500x15 GKBi US	4,36 kg	504	504	24	448	500	15	46
TMD-6014	RDL 600x600x15 GKBi US	5,22 kg	604	604	24	548	600	15	46

PRESSED ALUMINUM INSPECTION DOORS

CLASSIC HINGED 25 mm

push lock, fixed hinges

The doors are made of special aluminum profiles which are joined to the outdoor and indoor frames by means of reinforced galvanized corners through pressing. The complete assembly is connected by means of a fixed hinge which allows the door to be opened if necessary.

In the standard version this model is manufactured with a white or green panel, attached to the inner frame using self-tapping screws.

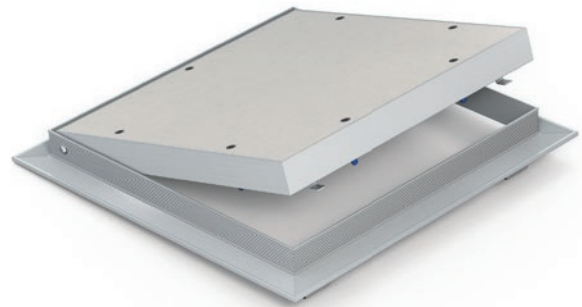
Main advantages of the model:




- Easy-to-open push lock
- Firmly anchored inner leaf

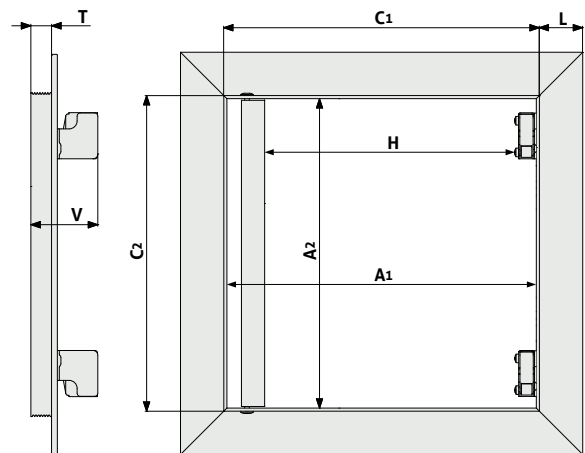
Convenient opening and closing are ensured by two push locks located in the corners of the outdoor frame. Pressing the inner panel at the lock position causes the latch to snap in or out.

Possible custom options:

- Different 2 x 12.5 mm board (GKF, GKFi, blue acoustic)
- Possibility of delivery without a board
- Production of non-standard dimensions in increments of 50 mm (150x150, 250x250,...) with fixed dimension „A“.



 Wall	 Ceiling	 Push
Minimum size 150 mm x 150 mm		Maximum size 600 mm x 600 mm



White board GKB for dry environment

Order no.	Article name (A1 x A2)	Weight	Installation size			Clear opening		Height	
			C1	C2	L	H	A1	T	V
TMD-5794	RDL 200x200x25 GKB US	1,39 kg	204	204	24	140	200	25	57
TMD-5795	RDL 300x300x25 GKB US	2,50 kg	304	304	24	240	300	25	57
TMD-5796	RDL 400x400x25 GKB US	3,96 kg	404	404	24	340	400	25	57
TMD-5797	RDL 500x500x25 GKB US	5,79 kg	504	504	24	440	500	25	57
TMD-5798	RDL 600x600x25 GKB US	7,97 kg	604	604	24	540	600	25	57

Green board GKBi – impregnated for wet environment

Order no.	Article name (A1 x A2)	Weight	Installation size			Clear opening		Height	
			C1	C2	L	H	A1	T	V
TMD-5804	RDL 200x200x25 GKBi US	1,41 kg	204	204	24	140	200	25	57
TMD-5805	RDL 300x300x25 GKBi US	2,55 kg	304	304	24	240	300	25	57
TMD-5806	RDL 400x400x25 GKBi US	4,06 kg	404	404	24	340	400	25	57
TMD-5807	RDL 500x500x25 GKBi US	5,94 kg	504	504	24	440	500	25	57
TMD-5808	RDL 600x600x25 GKBi US	8,19 kg	604	604	24	540	600	25	57

PRESSED ALUMINUM INSPECTION DOORS

DUST-PROOF HINGED 12.5 mm

push lock, fixed hinges, brush seal



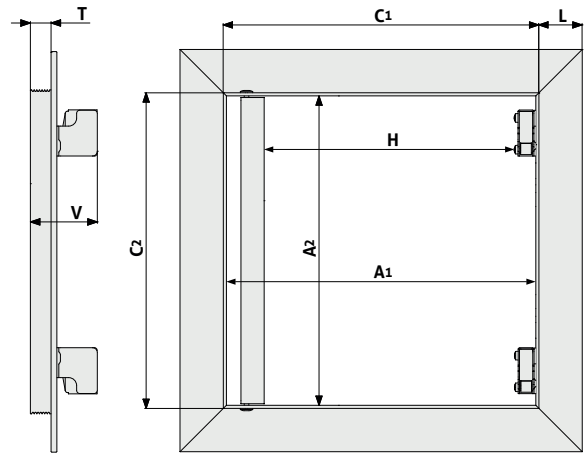
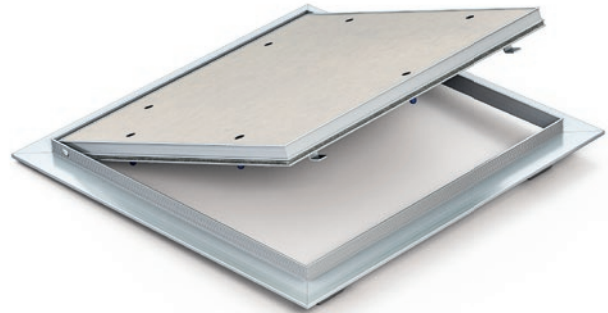
The doors are made of special aluminum profiles that are joined together by pressing them into an outer and inner frame using reinforced galvanized corners. The complete assembly is connected by a fixed hinge allowing the door leaf to be opened when necessary. The inner frame includes a brush seal to prevent dust from the shaft from blowing into the room.

In the standard version the door is produced with a white or green board secured to the inner frame with self-tapping screws.

The main advantages of this model are:

- Brush seal to capture dust
- Easy-to-open push lock
- Firmly anchored inner leaf

Convenient opening and closing is ensured by two push locks located in the corners of the outer frame. Pressing on the board of the inner frame at the lock position causes the latch to snap in or out.



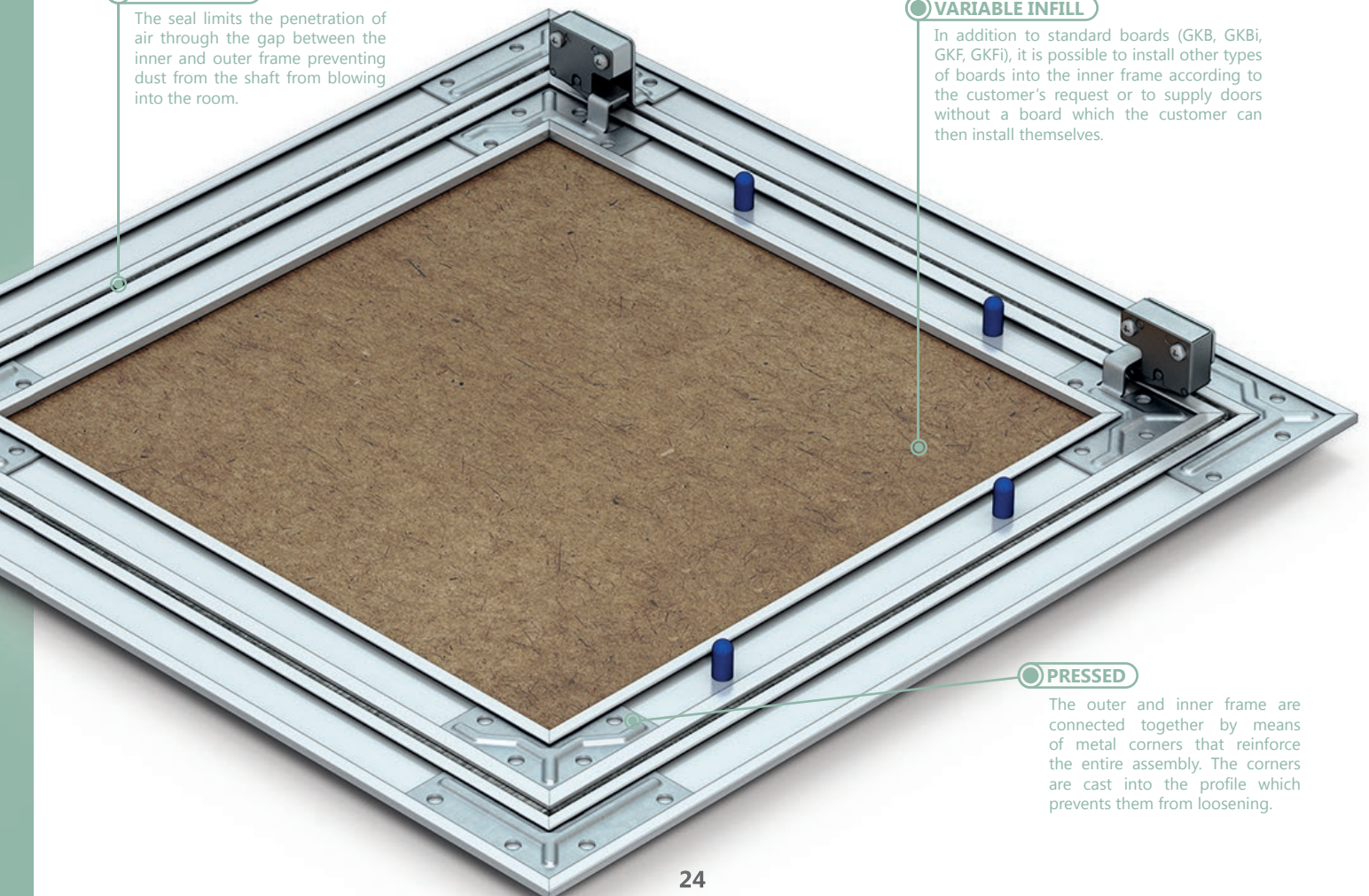
Wall	Ceiling	Push	Dust
Minimum size 150 mm x 150 mm		Maximum size 900 mm x 900 mm	

BRUSH SEAL

The seal limits the penetration of air through the gap between the inner and outer frame preventing dust from the shaft from blowing into the room.

VARIABLE INFILL

In addition to standard boards (GKB, GKBi, GKF, GKFi), it is possible to install other types of boards into the inner frame according to the customer's request or to supply doors without a board which the customer can then install themselves.



PRESSED

The outer and inner frame are connected together by means of metal corners that reinforce the entire assembly. The corners are cast into the profile which prevents them from loosening.

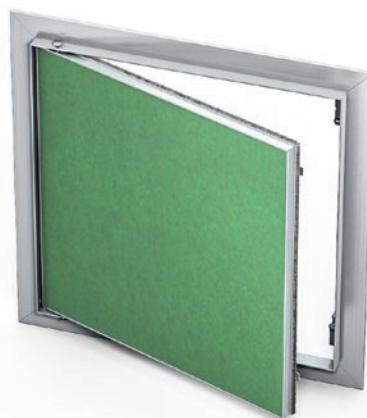
White board GKB for dry environment

Order no.	Article name (A1 x A2)	Weight	Installation size			Clear opening		Height	
			C1	C2	L	H	A1	T	V
TMD-5270	RDLp 200x200x12.5 GKB US dust-proof	0,84 kg	204	204	24	149	200	13	44
TMD-5271	RDLp 200x300x12.5 GKB US dust-proof	1,09 kg	204	304	24	249	200	13	44
TMD-5272	RDLp 300x300x12.5 GKB US dust-proof	1,42 kg	304	304	24	249	300	13	44
TMD-5273	RDLp 300x400x12.5 GKB US dust-proof	1,76 kg	304	404	24	349	300	13	44
TMD-5274	RDLp 300x600x12.5 GKB US dust-proof	2,43 kg	304	604	24	549	300	13	44
TMD-5275	RDLp 400x400x12.5 GKB US dust-proof	2,18 kg	404	404	24	349	400	13	44
TMD-5276	RDLp 400x600x12.5 GKB US dust-proof	3,04 kg	404	604	24	549	400	13	44
TMD-5277	RDLp 500x500x12.5 GKB US dust-proof	3,13 kg	504	504	24	449	500	13	44
TMD-5278	RDLp 600x600x12.5 GKB US dust-proof	4,26 kg	604	604	24	549	600	13	44
TMD-5279	RDLp 700x700x12.5 GKB US dust-proof	5,57 kg	704	704	24	649	700	13	44

The doors were tested for air permeability in category 2 according to the ČSN EN 1026 standard. Additionally, square key lock is placed in the center between the push locks when this standard is required. This type of door is only produced in a single-leaf variant.

Possible customer-requested options:

- Different 12.5 mm board (GKF, GKFi, blue acoustic, etc.)
- Possibility of delivery without board
- Production of atypical dimensions in 50 mm increments (150x150, 250x250, etc.) with a fixed dimension of „A“.



Rooms with increased humidity such as bathrooms or toilets, require the use of a more resistant green board that contains an impregnated layer.

Green board GKBi – impregnated for wet environment

Order no.	Article name (A1 x A2)	Weight	Installation size			Clear opening		Height	
			C1	C2	L	H	A1	T	V
TMD-5280	RDLp 200x200x12.5 GKBi US dust-proof	0,85 kg	204	204	24	149	200	13	44
TMD-5281	RDLp 200x300x12.5 GKBi US dust-proof	1,10 kg	204	304	24	249	800	13	44
TMD-5282	RDLp 300x300x12.5 GKBi US dust-proof	1,45 kg	304	304	24	249	300	13	44
TMD-5283	RDLp 300x400x12.5 GKBi US dust-proof	1,79 kg	304	404	24	349	300	13	44
TMD-5284	RDLp 300x600x12.5 GKBi US dust-proof	2,48 kg	304	604	24	549	300	13	44
TMD-5285	RDLp 400x400x12.5 GKBi US dust-proof	2,23 kg	404	404	24	349	400	13	44
TMD-5286	RDLp 400x600x12.5 GKBi US dust-proof	3,11 kg	404	604	24	549	400	13	44
TMD-5287	RDLp 500x500x12.5 GKBi US dust-proof	3,20 kg	504	504	24	449	500	13	44
TMD-5288	RDLp 600x600x12.5 GKBi US dust-proof	4,36 kg	604	604	24	549	600	13	44
TMD-5289	RDLp 700x700x12.5 GKBi US dust-proof	5,71 kg	704	704	24	649	700	13	44

PRESSED ALUMINUM INSPECTION DOORS

DUST-PROOF HINGED 15 mm

push lock, fixed hinges, brush seal

The doors are made of special aluminum profiles that are connected by pressing them into the outer and inner frames using reinforcement galvanized corners. The complete assembly is connected by a solid hinge allowing the door to be opened when needed. The inner frame includes a brush seal preventing dust from the shaft from entering the room.

The standard version is available with a white or green panel secured to the inner frame using self-tapping screws.

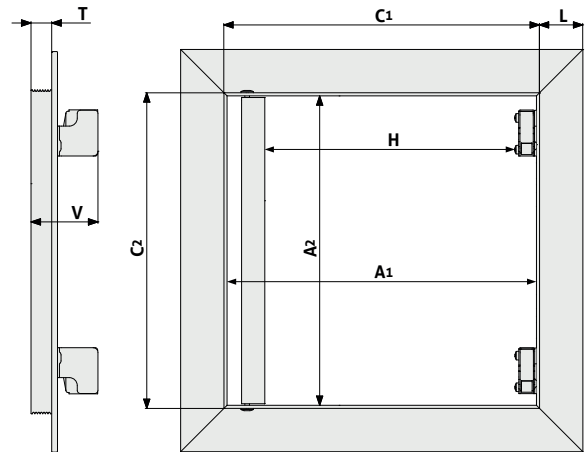
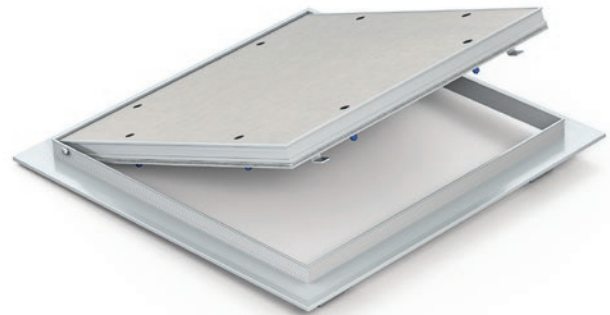
Main advantages of the model:

- **Brush seal for catching dust**
- **Easy-to-open push lock**
- **Firmly anchored inner leaf**

Convenient opening and closing is ensured by two push locks located in the corners of the outer frame. Pressing on the panel of the inner frame at the lock position causes the latch to snap in or out.

Possible options upon customer request:

- **Different 15 mm board (GKF, GKFi, ...ect.)**
- **Possibility of delivery without panel**
- **Production of atypical dimensions in 50 mm increments (150x150, 250x250, etc.) with a fixed dimension of „A“.**



Minimum size 150 mm x 150 mm		Maximum size 700 mm x 1200 mm	

Green board GKBi – impregnated for wet environment

Order no.	Article name (A1 x A2)	Weight	Installation size			Clear opening		Height	
			C1	C2	L	H	A1	T	V
TMD-6259	RDLp 200x200x15 GKBi US dust-proof	1,06 kg	204	204	24	148	200	15	46
TMD-6260	RDLp 300x300x15 GKBi US dust-proof	1,89 kg	304	304	24	248	300	15	46
TMD-6261	RDLp 400x400x15 GKBi US dust-proof	2,98 kg	404	404	24	348	400	15	46
TMD-6262	RDLp 500x500x15 GKBi US dust-proof	4,34 kg	504	504	24	448	500	15	46
TMD-6263	RDLp 600x600x15 GKBi US dust-proof	5,96 kg	604	604	24	548	600	15	46



PRESSED ALUMINUM INSPECTION DOORS

DUST-PROOF HINGED 25 mm

push lock, fixed hinges, brush seal

The doors are made from special aluminum profiles that are connected by pressing them into the outer and inner frames using reinforced galvanized corners. The complete assembly is connected by a fixed hinge which allows the door wings to be opened when needed. The inner frame includes a brush seal that prevents dust from the shaft from entering the room.

In standard production the door is made with a white or green board which is attached to the inner frame using self-tapping screws.

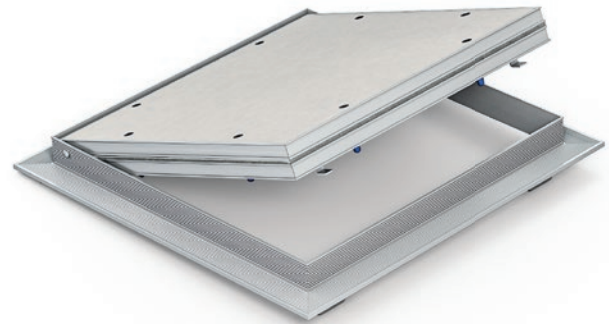
Main advantages of the model:





- Brush seal to capturing dust
- Easy-to-open push lock
- Firmly anchored inner leaf

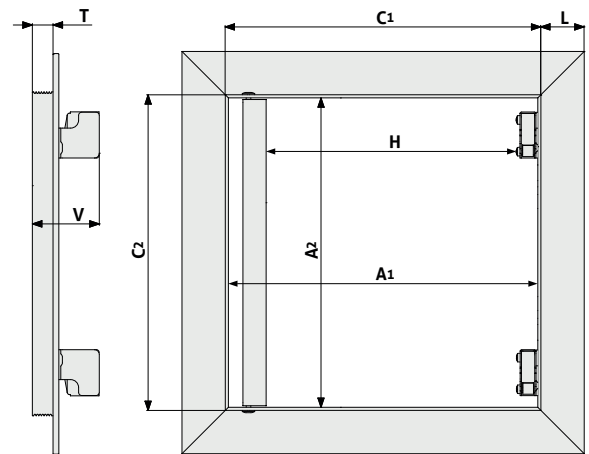
Comfortable opening and closing are guaranteed by two push locks located at the corners of the outer frame. Pressing on the inner frame plate at the lock position causes the latch to snap in or out.

Possible customer options:

- Other 2 x 12.5 mm board (GKF, GKFi, blue acoustic)
- Possibility of delivery without a board
- Production of atypical dimensions in 50 mm increments (150x150, 250x250, etc.) with a fixed dimension of „A“.



			
Wall	Ceiling	Push	Dust
Minimum size 150 mm x 150 mm		Maximum size 600 mm x 600 mm	



White board GKB for dry environment

Order no.	Article name (A1 x A2)	Weight	Installation size			Clear opening		Height	
			C1	C2	L	H	A1	T	V
TMD-5809	RDLp 200x200x25 GKB US dust-proof	1,35 kg	204	204	24	140	200	25	57
TMD-5810	RDLp 300x300x25 GKB US dust-proof	2,47 kg	304	304	24	240	200	25	57
TMD-5811	RDLp 400x400x25 GKB US dust-proof	3,94 kg	404	404	24	240	300	25	57
TMD-5812	RDLp 500x500x25 GKB US dust-proof	5,78 kg	504	504	24	340	300	25	57
TMD-5813	RDLp 600x600x25 GKB US dust-proof	7,97 kg	604	604	24	540	300	25	57

Green board GKBi – impregnated for wet environment

Order no.	Article name (A1 x A2)	Weight	Installation size			Clear opening		Height	
			C1	C2	L	H	A1	T	V
TMD-5814	RDLp 200x200x25 GKBi US dust-proof	1,38 kg	204	204	24	140	200	25	57
TMD-5815	RDLp 300x300x25 GKBi US dust-proof	2,52 kg	304	304	24	240	200	25	57
TMD-5816	RDLp 400x400x25 GKBi US dust-proof	4,04 kg	404	404	24	240	300	25	57
TMD-5817	RDLp 500x500x25 GKBi US dust-proof	5,93 kg	504	504	24	340	300	25	57
TMD-5818	RDLp 600x600x25 GKBi US dust-proof	8,18 kg	604	604	24	540	300	25	57

PRESSED ALUMINUM INSPECTION DOORS

AIR-TIGHT HINGED 12.5 mm

push lock, fixed hinges, rubber seal



The doors are made from special aluminum profiles that are connected through pressing to form the outer and inner frames using reinforced galvanized corners. The complete assembly is joined using a fixed hinge, allowing for the opening of the door leaf if necessary.

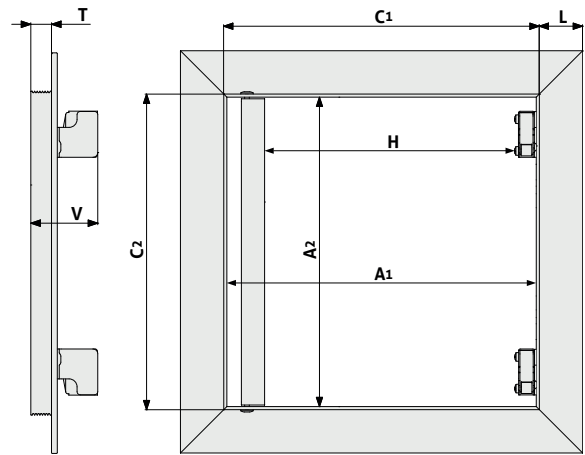
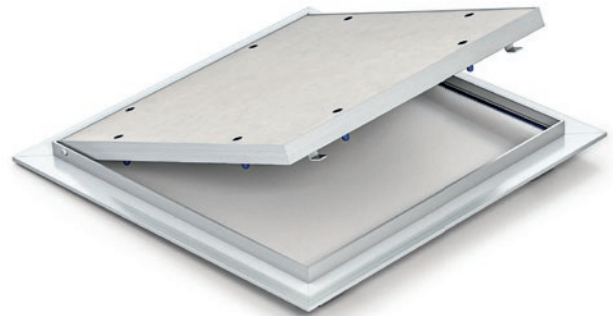
The outer frame of the door is equipped with a rubber seal that prevents air infiltration. In the standard version this model is produced with a white or green panel fixed to the inner frame using self-tapping screws.

The main advantages of the model are:

- Rubber seal tested for air permeability
- Easy-to-operate push lock
- Firmly anchored inner leaf

Convenient opening and closing are guaranteed by two push locks located at the corners of the outer frame. Pressing on the panel of the inner frame at the lock position causes the latch to snap or release.

The doors were tested for air permeability in category 4 according to the ČSN EN 1026 standard. In addition, square key lock is placed in the center between the push locks, as required by this standard. This type of door is only produced in a single-leaf variant.



Wall	Ceiling	Push	Dust	Air-tight
Minimum size 150 mm x 150 mm		Maximum size 900 mm x 900 mm		

RUBBER SEAL

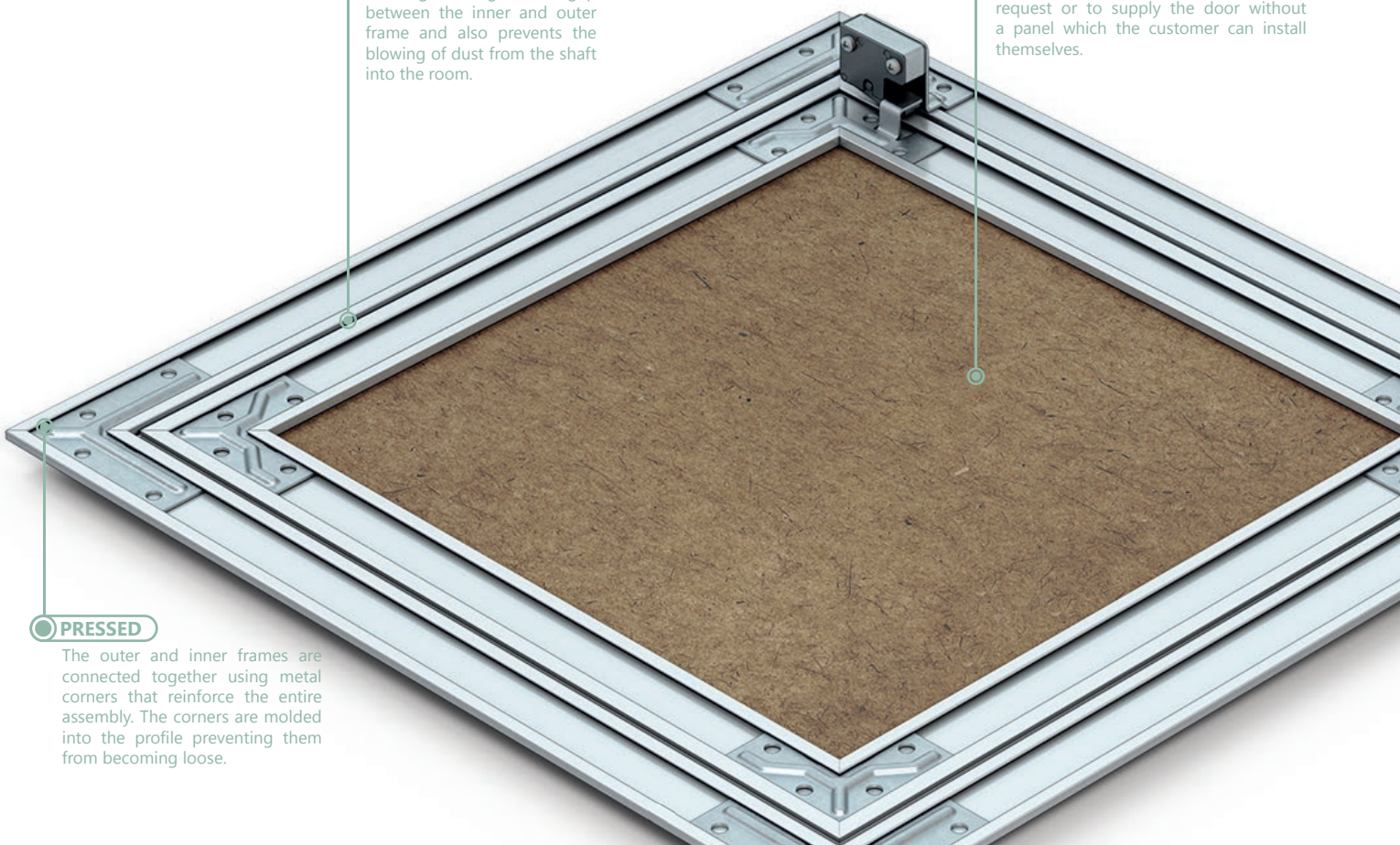
The seal prevents air from entering through the gap between the inner and outer frame and also prevents the blowing of dust from the shaft into the room.

VARIABLE INFILL

In addition to the standard panels (GKB, GKBi, GKF, GKFi), it is possible to incorporate other types of panels into the inner frame upon customer request or to supply the door without a panel which the customer can install themselves.

PRESSED

The outer and inner frames are connected together using metal corners that reinforce the entire assembly. The corners are molded into the profile preventing them from becoming loose.



White board GKB for dry environment

Order no.	Article name (A1 x A2)	Weight	Installation size			Clear opening		Height	
			C1	C2	L	H	A1	T	V
TMD-5290	RDLv 200x200x12.5 GKB US air-tight	0,84 kg	205	205	24	149	200	13	44
TMD-5291	RDLv 200x300x12.5 GKB US air-tight	1,09 kg	205	305	24	249	200	13	44
TMD-5292	RDLv 300x300x12.5 GKB US air-tight	1,42 kg	305	305	24	249	300	13	44
TMD-5293	RDLv 300x400x12.5 GKB US air-tight	1,76 kg	305	405	24	349	300	13	44
TMD-5294	RDLv 300x600x12.5 GKB US air-tight	2,43 kg	305	605	24	549	300	13	44
TMD-5295	RDLv 400x400x12.5 GKB US air-tight	2,18 kg	405	405	24	349	400	13	44
TMD-5296	RDLv 400x600x12.5 GKB US air-tight	3,04 kg	405	605	24	549	400	13	44
TMD-5297	RDLv 500x500x12.5 GKB US air-tight	3,13 kg	505	505	24	449	500	13	44
TMD-5298	RDLv 600x600x12.5 GKB US air-tight	4,26 kg	605	605	24	549	600	13	44
TMD-5299	RDLv 700x700x12.5 GKB US air-tight	5,57 kg	705	705	24	649	700	13	44

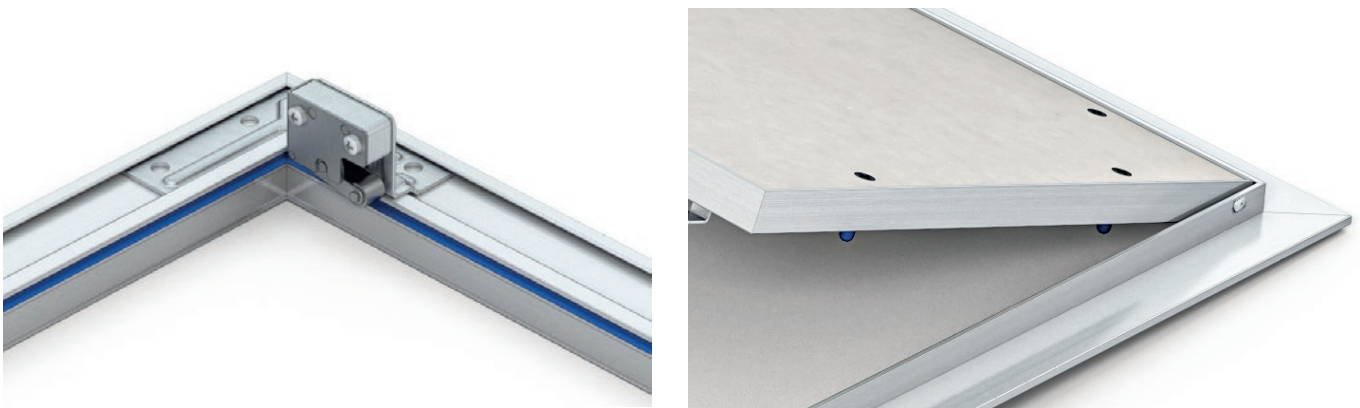
Possible custom options:

- Different 12.5 mm board (GKF, GKFi, blue acoustic, etc.)
- Possibility of delivery without a panel
- Production of atypical dimensions in 50 mm increments (150x150, 250x250, etc.) with a fixed dimension of „A“.

Rooms with increased humidity such as bathrooms or toilets require the use of a more durable green board which contains an impregnated layer.

Green board GKBi – impregnated for wet environment

Order no.	Article name (A1 x A2)	Weight	Installation size			Clear opening		Height	
			C1	C2	L	H	A1	T	V
TMD-5300	RDLv 200x200x12.5 GKBi US air-tight	0,85 kg	205	205	24	149	200	13	44
TMD-5301	RDLv 200x300x12.5 GKBi US air-tight	1,10 kg	205	305	24	249	200	13	44
TMD-5302	RDLv 300x300x12.5 GKBi US air-tight	1,45 kg	305	305	24	249	300	13	44
TMD-5303	RDLv 300x400x12.5 GKBi US air-tight	1,79 kg	305	405	24	349	300	13	44
TMD-5304	RDLv 300x600x12.5 GKBi US air-tight	2,48 kg	305	605	24	549	300	13	44
TMD-5305	RDLv 400x400x12.5 GKBi US air-tight	2,23 kg	405	405	24	349	400	13	44
TMD-5306	RDLv 400x600x12.5 GKBi US air-tight	3,11 kg	405	605	24	549	400	13	44
TMD-5307	RDLv 500x500x12.5 GKBi US air-tight	3,20 kg	505	505	24	449	500	13	44
TMD-5308	RDLv 600x600x12.5 GKBi US air-tight	4,36 kg	605	605	24	549	600	13	44
TMD-5309	RDLv 700x700x12.5 GKBi US air-tight	5,71 kg	705	705	24	649	700	13	44



* The color of the seal is for illustration purposes only. The actual color may vary.

PRESSED ALUMINUM INSPECTION DOORS

AIR-TIGHT HINGED 15 mm

push lock, fixed hinges, rubber seal

The doors are made of special aluminum profiles, which are joined into the outer and inner frame by pressing and reinforced with galvanized corners. The complete assembly is connected by a fixed hinge, allowing the door wings to be opened when needed.

The outer frame of the doors is equipped with a rubber seal to prevent air leakage. In the standard version this model is manufactured with a white or green board fixed to the inner frame using self-tapping screws.






The main advantages of the model are:

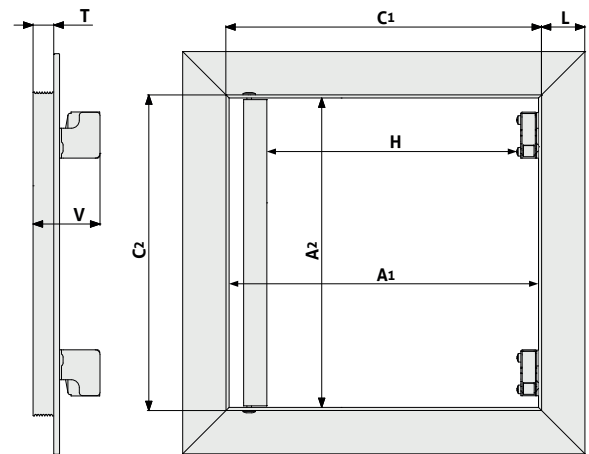
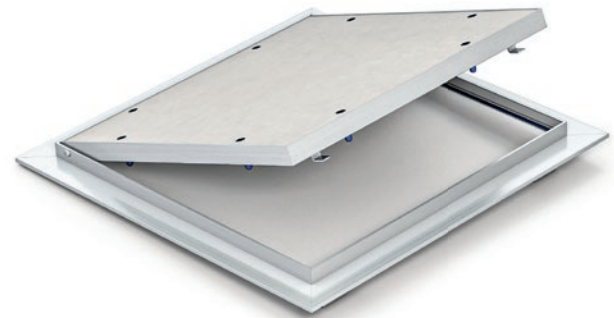
- Rubber seal tested for air permeability
- Easy-to-open push lock
- Firmly anchored inner leaf

Convenient opening and closing is guaranteed by two push locks located at the corners of the outer frame. Pressing on the inner frame plate at the lock causes the latch to snap or unsnap.

Possible custom options include:

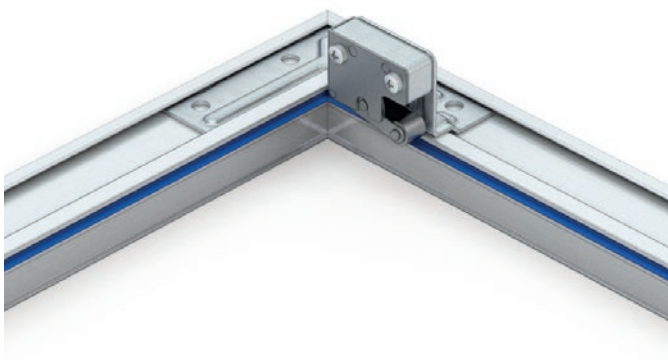
- Different 15 mm board (GKF, GKFi, ...ect.)
- Possibility of delivery without a board
- Production of atypical dimensions in 50 mm increments (150x150, 250x250, etc.) with a fixed dimension of „A“.

				
Wall	Ceiling	Push	Dust	Air-tight
Minimum size 150 mm x 150 mm		Maximum size 700 mm x 1200 mm		



Green board GKBi – impregnated for wet environment

Order no.	Article name (A1 x A2)	Weight	Installation size			Clear opening		Height	
			C1	C2	L	H	A1	T	V
TMD-6264	RDLv 200x200x15 GKBi US air-tight	1,06 kg	205	205	24	148	200	15	44
TMD-6265	RDLv 300x300x15 GKBi US air-tight	1,88 kg	305	305	24	248	300	15	44
TMD-6266	RDLv 400x400x15 GKBi US air-tight	2,97 kg	405	405	24	348	400	15	44
TMD-6267	RDLv 500x500x15 GKBi US air-tight	4,32 kg	505	505	24	448	500	15	44
TMD-6268	RDLv 600x600x15 GKBi US air-tight	5,94 kg	605	605	24	548	600	15	44



* The color of the seal is for illustration purposes only. The actual color may vary.

PRESSED ALUMINUM INSPECTION DOORS

AIR-TIGHT HINGED 25 mm

push lock, fixed hinges, rubber seal

The doors are made of special aluminum profiles, which are joined into the outer and inner frame by pressing and reinforced with galvanized corners. The complete assembly is connected by a fixed hinge allowing the door wings to be opened when needed.

The outer frame of the door is equipped with a rubber seal to prevent air infiltration. In the standard version, this model is manufactured with a white or green panel, fastened to the inner frame by self-tapping screws.

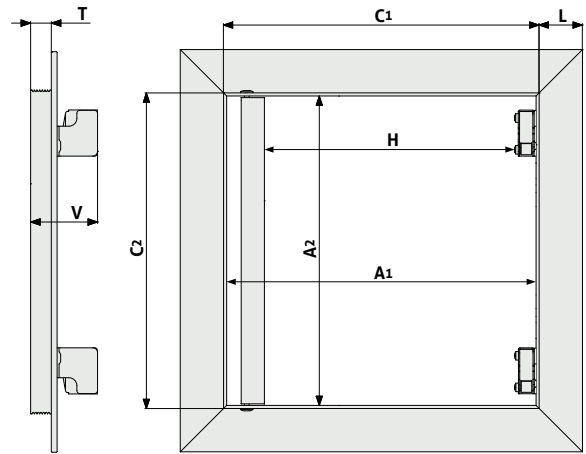
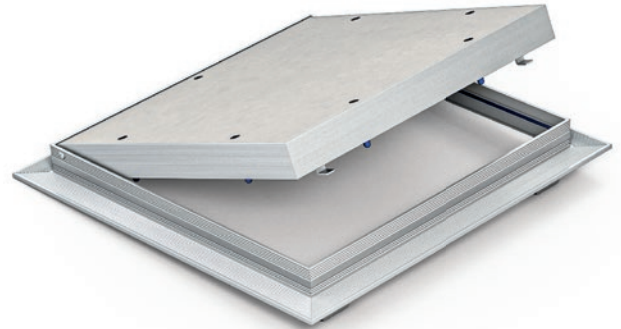
Main advantages of the model:

- Rubber seal tested for air permeability
- Easy-to-open push lock
- Firmly anchored inner leaf

Convenient opening and closing is ensured by two push locks located in the corners of the outer frame. Pushing on the inner frame panel at the lock position will cause the latch to snap in or out.

Possible customer-requested options:

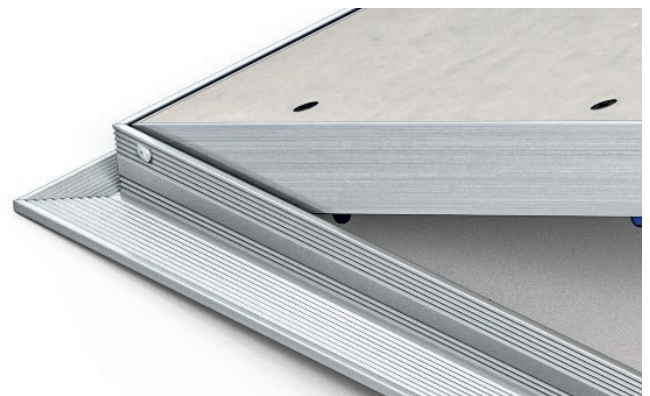
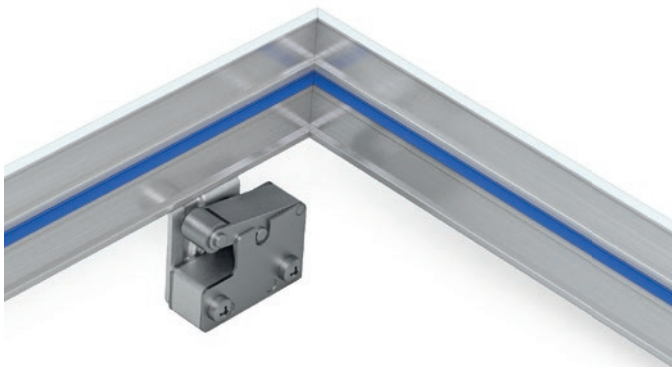
- Different 2 x 12.5 mm board (GKF, GKFi, blue acoustic, ...)
- Possibility of delivery without a board
- Production of atypical dimensions in 50 mm increments (150x150, 250x250, ...) with a fixed dimension of „A“



Wall	Ceiling	Push	Dust	Air-tight
Minimum size 150 mm x 150 mm		Maximum size 600 mm x 600 mm		

White board GKB for dry environment

Order no.	Article name (A1 x A2)	Weight	Installation size			Clear opening		Height	
			C1	C2	L	H	A1	T	V
TMD-6333	RDLv 200x200x25 GKB US air-tight	1,35 kg	205	205	24	140	200	25	57
TMD-6334	RDLv 300x300x25 GKB US air-tight	2,46 kg	305	305	24	240	300	25	57
TMD-2701	RDLv 400x400x25 GKB US air-tight	3,93 kg	405	405	24	340	400	25	57
TMD-6335	RDLv 500x500x25 GKB US air-tight	5,76 kg	605	605	24	540	600	25	57

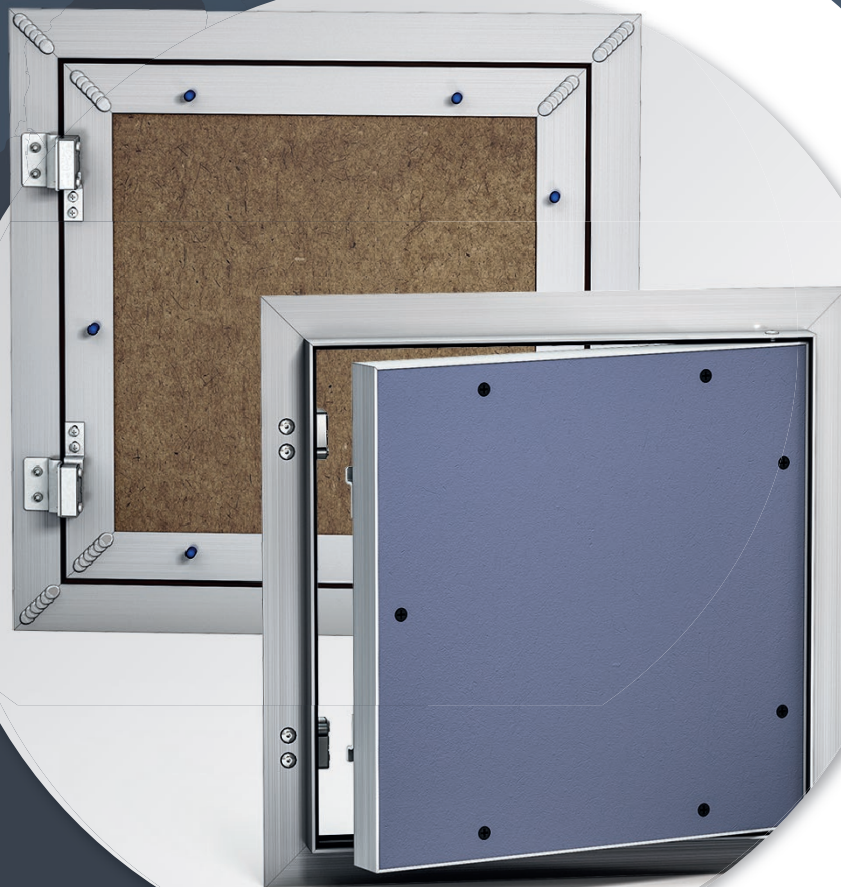


* The color of the seal is for illustration purposes only. The actual color may vary.



02

INSPECTION DOORS WELDED



WELDED ALUMINUM INSPECTION DOORS

CLASSIC US 12.5 mm

push lock, fixed hinges, variable infill

The doors are made from aluminum profiles that are welded into the outer and inner frames. The complete assembly is connected with fixed hinges allowing the door leaf to be opened if necessary.

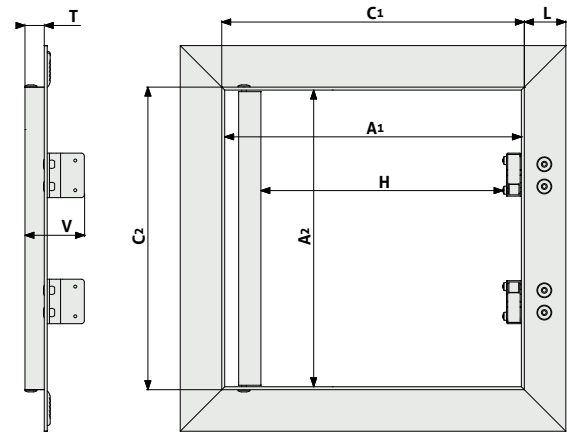
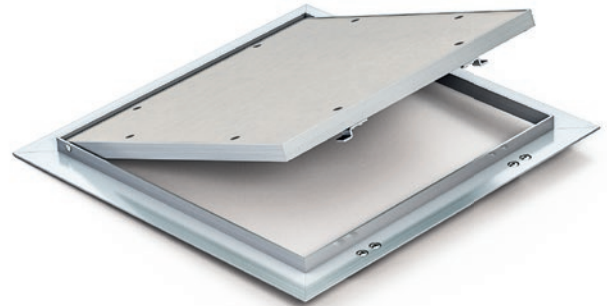
In its standard configuration this model is produced with a white, green or red panel.

The main advantages of the model are:

- **Welded frames**
- **Easily operable push lock**
- **Reinforced frames for sizes over 1000 mm**
- **Firmly anchored inner leaf**

Convenient opening and closing are guaranteed by push US locks located on the outer frame. Pressing the panel of the inner frame at the lock position causes the latch to snap in or out.

Production of larger dimensions than those listed is possible upon request.



Wall



Ceiling



Push

Minimum size
150 mm x 150 mm

Maximum size
1400 mm x 1400 mm

PUSH LOCK

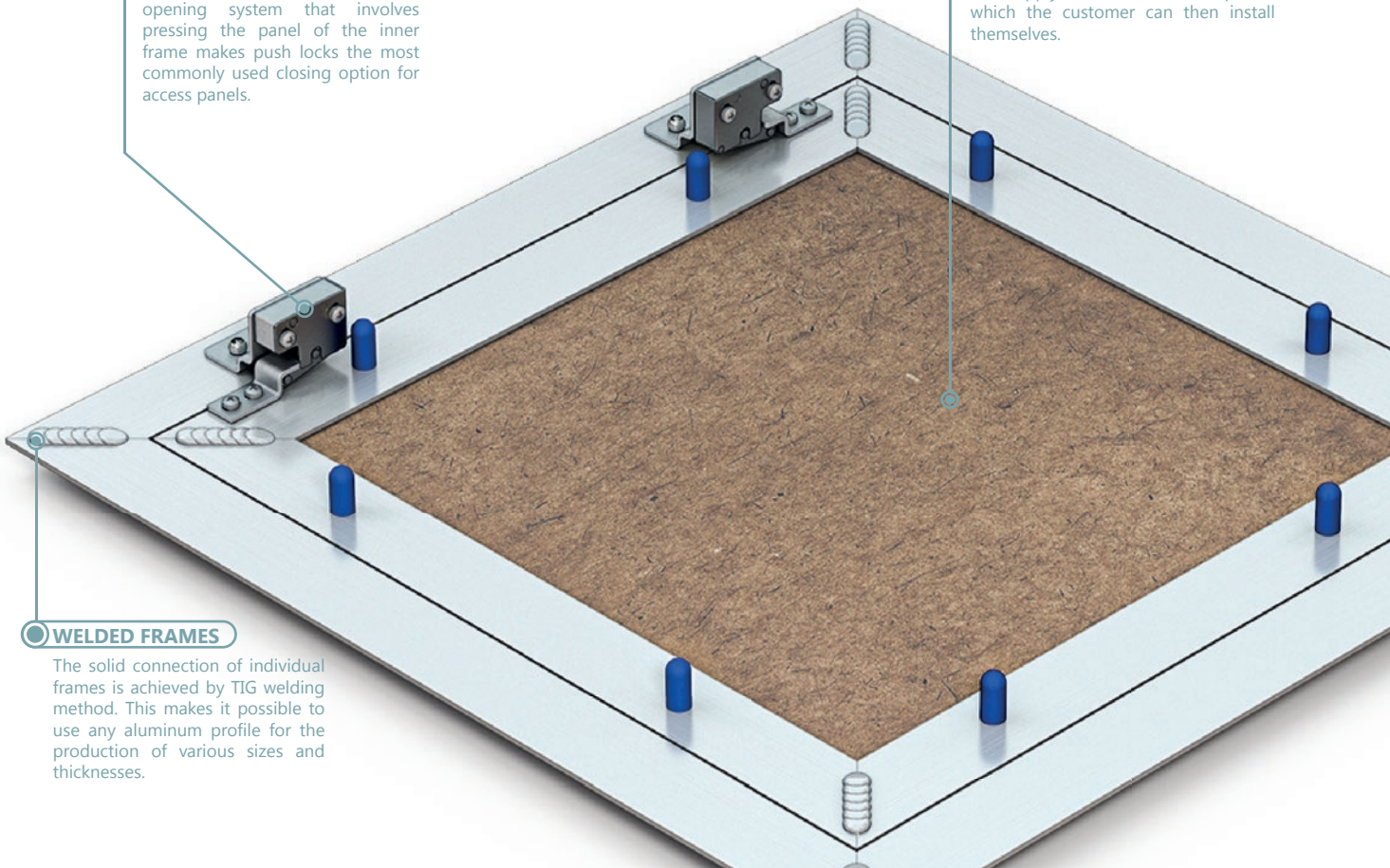
A simple, invisible, and convenient opening system that involves pressing the panel of the inner frame makes push locks the most commonly used closing option for access panels.

VARIABLE INFILL

In addition to the standard panels (GKB, GKBi, GKF, GKFi) it is possible to install other types of panels into the inner frame upon customer's request or supply doors without panels which the customer can then install themselves.

WELDED FRAMES

The solid connection of individual frames is achieved by TIG welding method. This makes it possible to use any aluminum profile for the production of various sizes and thicknesses.



White board GKB for dry environment

Order no.	Article name (A1 x A2)	Weight	Installation size			Clear opening		Height	
			C1	C2	L	H	A1	T	V
TMD-0235	RDS 200x200x12.5 GKB US	0,94 kg	204	204	25	149	200	13	42
TMD-0796	RDS 200x300x12.5 GKB US	1,22 kg	204	304	25	149	300	13	42
TMD-0236	RDS 300x300x12.5 GKB US	1,58 kg	304	304	25	249	300	13	42
TMD-0936	RDS 300x400x12.5 GKB US	1,95 kg	304	404	25	249	400	13	42
TMD-1369	RDS 300x600x12.5 GKB US	2,68 kg	304	604	25	249	600	13	42
TMD-0237	RDS 400x400x12.5 GKB US	2,41 kg	404	404	25	349	400	13	42
TMD-0774	RDS 400x600x12.5 GKB US	3,33 kg	404	604	25	349	600	13	42
TMD-0238	RDS 500x500x12.5 GKB US	3,42 kg	504	504	25	449	500	13	42
TMD-0239	RDS 600x600x12.5 GKB US	4,61 kg	604	604	25	549	600	13	42
TMD-0779	RDS 700x700x12.5 GKB US	5,99 kg	704	704	25	649	700	13	42

Possible options upon customer's request include:

- Glued or screwed board
- Option to deliver without a board (see page 65)
- Another 12.5 mm board (GKFi, acoustic, perforated...)
- Removable variant (see page 6)
- Security cable
- Production of non-standard and large dimensions (see page 64)
- Adjustable in increments of 1 mm for a given dimension
- Tiles (see pages 68-71)
- Double-leaf variant (see pages 46-47)
- Different lock options - KL lock, Fab lock, cylinder lock, etc. (see pages 36-45)



Green board GKBi – impregnated for wet environment

Order no.	Article name (A1 x A2)	Weight	Installation size			Clear opening		Height	
			C1	C2	L	H	A1	T	V
TMD-0894	RDS 200x200x12.5 GKBi US	0,95 kg	204	204	25	149	200	13	42
TMD-1830	RDS 200x300x12.5 GKBi US	1,24 kg	204	304	25	149	300	13	42
TMD-0787	RDS 300x300x12.5 GKBi US	1,61 kg	304	304	25	249	300	13	42
TMD-1613	RDS 300x400x12.5 GKBi US	1,99 kg	304	404	25	249	400	13	42
TMD-2066	RDS 300x600x12.5 GKBi US	2,74 kg	304	604	25	249	600	13	42
TMD-0916	RDS 400x400x12.5 GKBi US	2,46 kg	404	404	25	349	400	13	42
TMD-1422	RDS 400x600x12.5 GKBi US	3,4 kg	404	604	25	349	600	13	42
TMD-2614	RDS 500x500x12.5 GKBi US	3,49 kg	504	504	25	449	500	13	42
TMD-0895	RDS 600x600x12.5 GKBi US	4,72 kg	604	604	25	549	600	13	42
TMD-0893	RDS 700x700x12.5 GKBi US	6,14 kg	704	704	25	649	700	13	42

The red GKF panel - fire-resistant without certification

Order no.	Article name (A1 x A2)	Weight	Installation size			Clear opening		Height	
			C1	C2	L	H	A2	T	V
TMD-1060	RDS 200x200x12.5 GKF US	1,00 kg	204	204	25	149	200	13	42
TMD-1059	RDS 300x300x12.5 GKF US	1,72 kg	304	304	25	249	300	13	42
TMD-1352	RDS 400x400x12.5 GKF US	2,65 kg	404	404	25	349	400	13	42
TMD-1608	RDS 500x500x12.5 GKF US	3,80 kg	504	504	25	449	500	13	42
TMD-1499	RDS 600x600x12.5 GKF US	5,16 kg	604	604	25	549	600	13	42

WELDED ALUMINUM INSPECTION DOORS

CLASSIC US 15 mm

push lock, fixed hinges, variable infill

The doors are made from aluminum profiles that are welded into an outer and inner frame. The complete assembly is connected with a sturdy hinge allowing the door leaf to be opened if necessary.

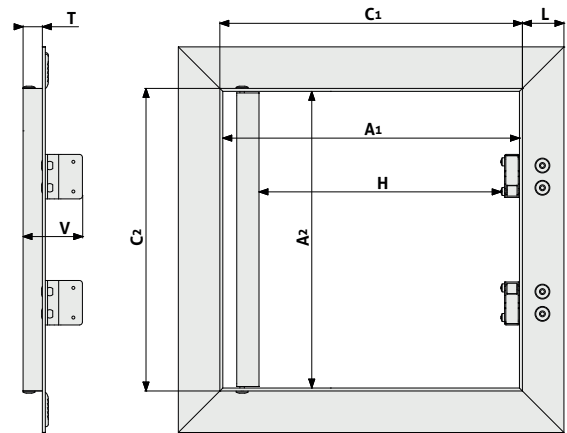
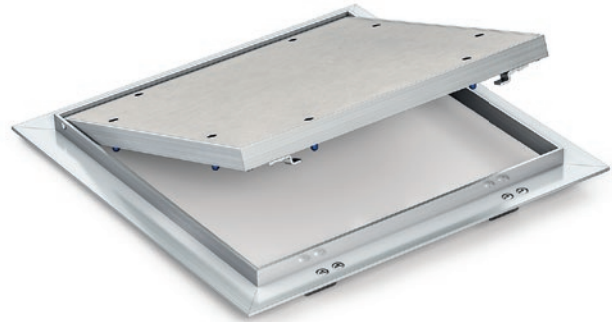
In standard design this model is produced with a white or green board secured to the inner frame with self-tapping screws.




The main advantages of the model are:

- Welded frames
- Easy-to-open push lock
- Firmly anchored inner leaf

Convenient opening and closing is ensured by push US locks located on the outer frame. Pressing the board of the inner frame at the lock position causes the latch to snap in or out.

Production of non-standard dimensions and other customer-requested options are the same as for the 12.5 mm variant (see page 32).



		
Wall	Ceiling	Push
Minimum size 150 mm x 150 mm		Maximum size 1100 mm x 1100 mm

Possible customer options:

- Different 15 mm board (GKF, GKFi, ...ect.)
- Possibility of delivery without board (see page 65)
- Removable version (see pages 8-9)
- Security cable
- Production of atypical and large dimensions (adjustable by 1 mm for specified dimension)
- Tiles (see pages 68-71)
- Double-leaf version (see page 46)
- Different lock options - KL lock, Fab lock, cylinder lock, etc. (pages 36-45)

White board GKB for dry environment

Order no.	Article name (A1 x A2)	Weight	Installation size			Clear opening		Height	
			C1	C2	L	H	A1	T	V
TMD-0949	RDS 200x200x15 GKB US	1,03 kg	204	204	25	147	200	15,5	44
TMD-1496	RDS 200x300x15 GKB US	1,34 kg	204	304	25	147	300	15,5	44
TMD-0950	RDS 300x300x15 GKB US	1,78 kg	304	304	25	247	300	15,5	44
TMD-1858	RDS 300x400x15 GKB US	2,21 kg	304	404	25	247	400	15,5	44
TMD-2126	RDS 300x600x15 GKB US	3,07 kg	304	604	25	247	600	15,5	44
TMD-3859	RDS 400x400x15 GKB US	2,76 kg	404	404	25	347	400	15,5	44
TMD-0966	RDS 400x600x15 GKB US	3,85 kg	404	604	25	347	600	15,5	44
TMD-0952	RDS 500x500x15 GKB US	3,96 kg	504	504	25	447	500	15,5	44
TMD-1364	RDS 600x600x15 GKB US	5,40 kg	604	604	25	547	600	15,5	44

Green board GKBi – impregnated for wet environment

Order no.	Article name (A1 x A2)	Weight	Installation size			Clear opening		Height	
			C1	C2	L	H	A1	T	V
TMD-1734	RDS 200x200x15 GKBi US	1,10 kg	204	204	25	147	200	15,5	44
TMD-1674	RDS 300x300x15 GKBi US	1,94 kg	304	304	25	247	300	15,5	44
TMD-2487	RDS 400x400x15 GKBi US	3,05 kg	404	404	25	347	400	15,5	44
TMD-2600	RDS 500x500x15 GKBi US	4,42 kg	504	504	25	447	500	15,5	44
TMD-0901	RDS 600x600x15 GKBi US	6,06 kg	604	604	25	547	600	15,5	44

WELDED ALUMINUM INSPECTION DOORS

CLASSIC US 25 mm

push lock, fixed hinges, variable infill

The doors are made from aluminum profiles that are welded into an outer and inner frame. The complete assembly is connected by a fixed hinge allowing the door leaf to be opened if needed.

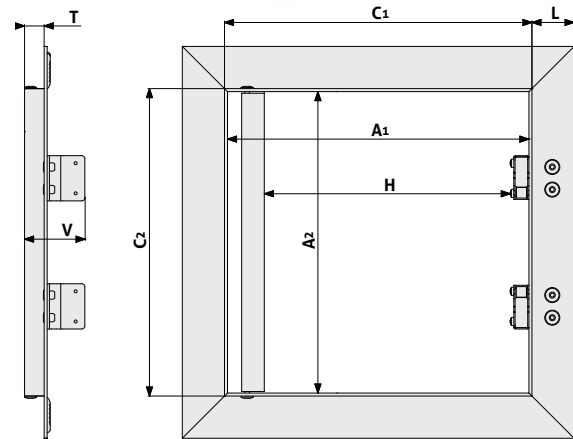
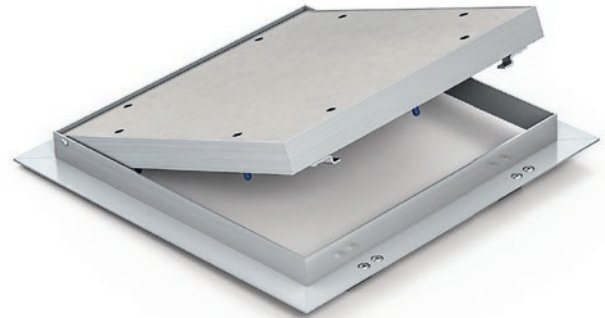
In the standard version this model is produced with a 25 mm thickness (2x12.5 mm) with a white or green board attached to the inner frame using self-tapping screws.

The main advantages of the model are:

- **Welded frames**
- **Easily operable push lock**
- **Firmly anchored inner leaf**

Convenient opening and closing is ensured by push US locks located on the outer frame. Pressing on the board of the inner frame at the lock position will cause the latch to snap in or out.

Production of non-standard sizes and other customer-requested options are the same as for the 15 mm version (see page 34).



Wall	Ceiling	Push
Minimum size		Maximum size
150 mm x 150 mm		1000 mm x 1000 mm

When considering large-sized inspection doors with a double leaf, it is necessary to consider whether it is necessary for the inner leaf of the door to be filled with two panels, or if it would be sufficient to use only one panel with a thickness of 12.5 mm.

With the option of a single 12.5 mm panel, the outer frame is manufactured as standard for a 25 mm leaf. After installation, the visible side of the door leaf is flush with the wall or ceiling. In this option, it is possible to manufacture the door leaf in larger dimensions than 1000 mm x 1000 mm.

All details regarding production, maximum dimensions, and suitable door leaf options are available upon request from the manufacturer.

White board GKB for dry environment

Order no.	Article name (A1 x A2)	Weight	Installation size			Clear opening		Height	
			C1	C2	L	H	A1	T	V
TMD-1606	RDS 200x200x25 GKB US	1,40 kg	204	204	25,5	137	200	25,5	57
TMD-0838	RDS 300x300x25 GKB US	2,54 kg	304	304	25,5	237	300	25,5	57
TMD-1214	RDS 400x400x25 GKB US	4,05 kg	404	404	25,5	337	400	25,5	57
TMD-1323	RDS 500x500x25 GKB US	5,93 kg	504	504	25,5	437	500	25,5	57
TMD-1343	RDS 600x600x25 GKB US	8,18 kg	604	604	25,5	537	600	25,5	57

Green board GKBi – impregnated for wet environment

Order no.	Article name (A1 x A2)	Weight	Installation size			Clear opening		Height	
			C1	C2	L	H	A1	T	V
TMD-1607	RDS 200x200x25 GKBi US	1,42 kg	204	204	25,5	137	200	25,5	57
TMD-2322	RDS 300x300x25 GKBi US	2,60 kg	304	304	25,5	237	300	25,5	57
TMD-1345	RDS 400x400x25 GKBi US	4,15 kg	404	404	25,5	337	400	25,5	57
TMD-1605	RDS 500x500x25 GKBi US	6,09 kg	504	504	25,5	437	500	25,5	57
TMD-1819	RDS 600x600x25 GKBi US	8,40 kg	604	604	25,5	537	600	25,5	57

WELDED ALUMINUM INSPECTION DOORS

CLASSIC KL 12.5 mm

square key lock, fixed hinges

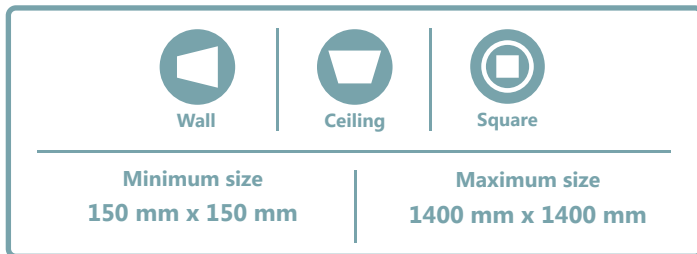
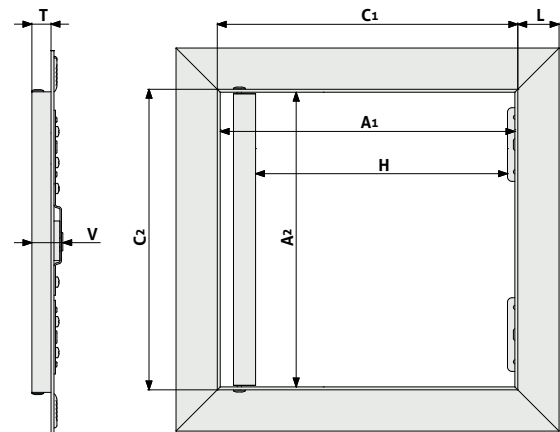
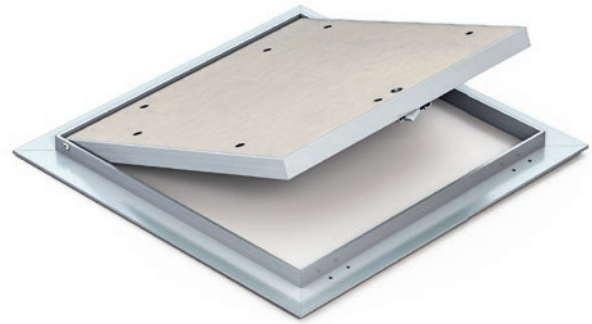
The doors are made from aluminum profiles that are welded into an outer and inner frame. The complete assembly is connected with a fixed hinge, allowing the door to be opened when needed.

A white, green, or red board is attached to the inner frame using self-tapping screws.

The main advantages of the model are:

- **Welded frames**
- **Low-profile lock**
- **Secured opening**
- **Firmly anchored inner board**

Opening and closing is enabled by a plastic square key, which is inserted into the hole in the board on the inner frame and turned to release or secure the latch. The key is included in the packaging.



● SQUARE KEY LOCK

The square lock is located in the plasterboard of the inner frame. It provides higher security compared to common push locks, not only in case of unwanted entry, but primarily against accidental opening.

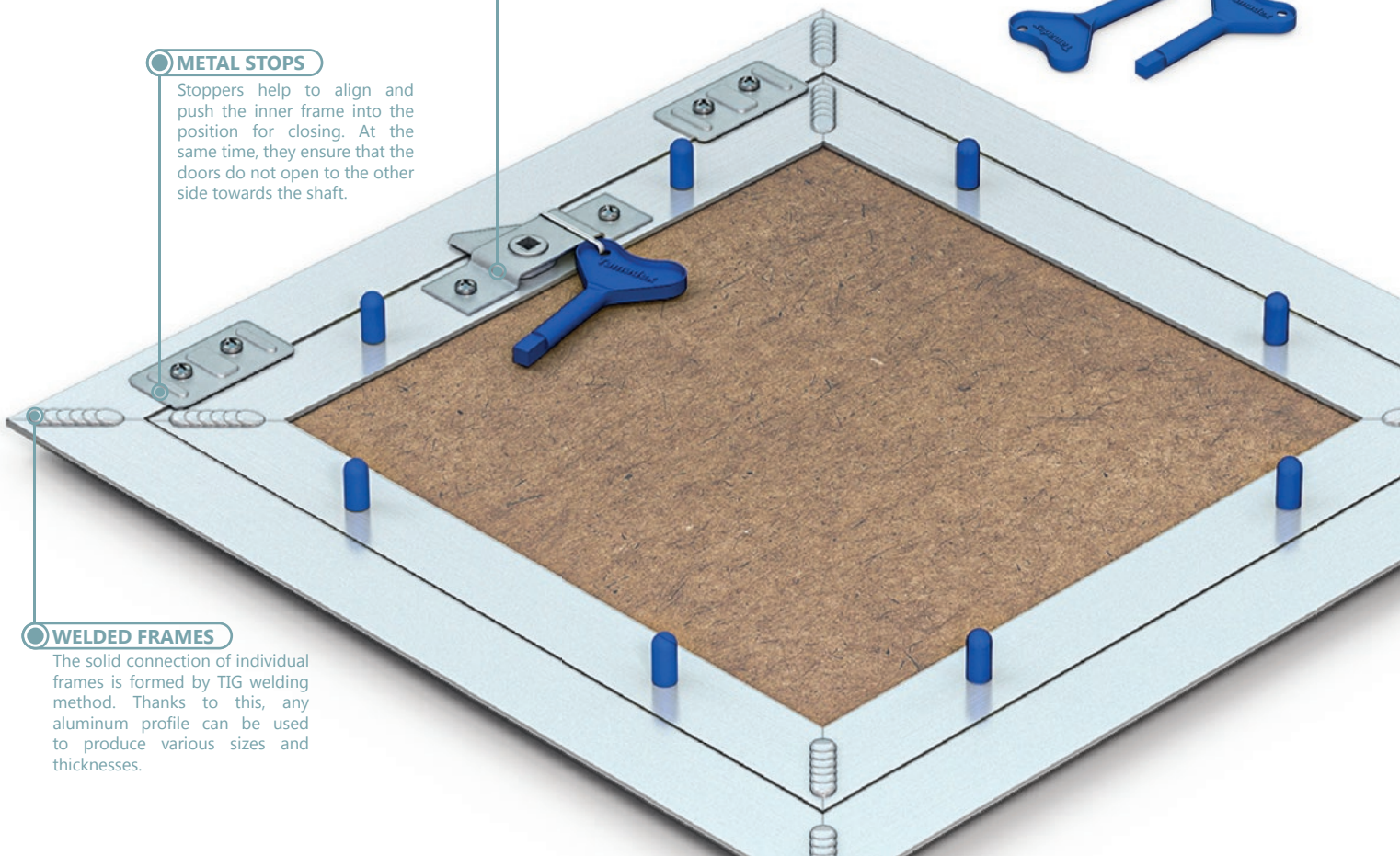


● METAL STOPS

Stoppers help to align and push the inner frame into the position for closing. At the same time, they ensure that the doors do not open to the other side towards the shaft.

● WELDED FRAMES

The solid connection of individual frames is formed by TIG welding method. Thanks to this, any aluminum profile can be used to produce various sizes and thicknesses.

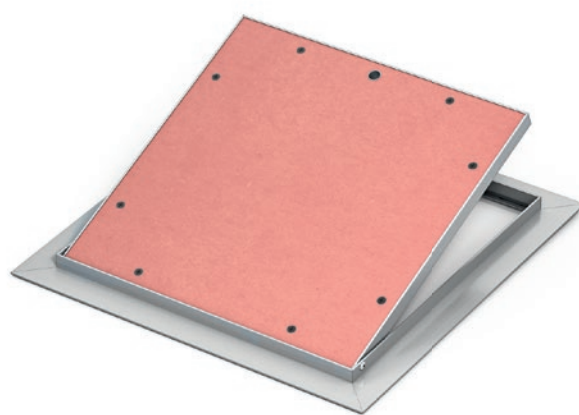


White board GKB for dry environment

Order no.	Article name (A1 x A2)	Weight	Installation size			Clear opening		Height	
			C1	C2	L	H	A1	T	V
TMD-2914	RDS 200x200x12.5 GKB KL	0,81 kg	204	204	25	155	200	13	21
TMD-3203	RDS 200x300x12.5 GKB KL	1,09 kg	204	304	25	155	300	13	21
TMD-0879	RDS 300x300x12.5 GKB KL	1,46 kg	304	304	25	255	300	13	21
TMD-1275	RDS 300x400x12.5 GKB KL	1,82 kg	304	404	25	255	400	13	21
TMD-1694	RDS 300x600x12.5 GKB KL	2,55 kg	304	604	25	255	600	13	21
TMD-1799	RDS 400x400x12.5 GKB KL	2,28 kg	404	404	25	355	400	13	21
TMD-1810	RDS 400x600x12.5 GKB KL	3,20 kg	404	604	25	355	600	13	21
TMD-2780	RDS 500x500x12.5 GKB KL	3,29 kg	504	504	25	455	500	13	21
TMD-1093	RDS 600x600x12.5 GKB KL	4,48 kg	604	604	25	555	600	13	21
TMD-5157	RDS 700x700x12.5 GKB KL	5,86 kg	704	704	25	655	700	13	21

Possible customer customization options:

- **Glued board instead of screwed**
- **Possibility of delivery without board (see page 65)**
- **Different 12.5 mm board (GKFi, acoustic, perforated...)**
- **Removable version**
- **Security cable**
- **Production of atypical and large dimensions, freely changeable per 1 mm for a given dimension (see page 64)**
- **Possibility of installation under tiles (see pages 68-71)**
- **Double-winged version (see pages 46-47)**
- **Possible combination with other locks**



Rooms with increased humidity levels such as bathrooms or toilets require the use of a more durable green board that contains an impregnated layer. On the other hand the red board is used in systems with increased fire safety requirements.

Green board GKBi – impregnated for wet environment

Order no.	Article name (A1 x A2)	Weight	Installation size			Clear opening		Height	
			C1	C2	L	H	A1	T	V
TMD-3201	RDS 200x200x12.5 GKBi KL	0,83 kg	204	204	25	155	200	13	21
TMD-5153	RDS 200x300x12.5 GKBi KL	1,11 kg	204	304	25	155	300	13	21
TMD-3176	RDS 300x300x12.5 GKBi KL	1,48 kg	304	304	25	255	300	13	21
TMD-5154	RDS 300x400x12.5 GKBi KL	1,86 kg	304	404	25	255	400	13	21
TMD-5155	RDS 300x600x12.5 GKBi KL	2,61 kg	304	604	25	255	600	13	21
TMD-2552	RDS 400x400x12.5 GKBi KL	2,33 kg	404	404	25	355	400	13	21
TMD-3314	RDS 400x600x12.5 GKBi KL	3,27 kg	404	604	25	355	600	13	21
TMD-2973	RDS 500x500x12.5 GKBi KL	3,37 kg	504	504	25	455	500	13	21
TMD-5156	RDS 600x600x12.5 GKBi KL	4,59 kg	604	604	25	555	600	13	21
TMD-2352	RDS 700x700x12.5 GKBi KL	6,01 kg	704	704	25	655	700	13	21

The red GKF panel - fire-resistant without certification

Order no.	Article name (A1 x A2)	Weight	Installation size			Clear opening		Height	
			C1	C2	L	H	A2	T	V
TMD-2983	RDS 200x200x12.5 GKF KL	0,87 kg	204	204	25	155	200	13	21
TMD-2984	RDS 300x300x12.5 GKF KL	1,59 kg	304	304	25	255	300	13	21
TMD-2055	RDS 400x400x12.5 GKF KL	2,52 kg	404	404	25	355	400	13	21
TMD-1874	RDS 500x500x12.5 GKF KL	3,67 kg	504	504	25	455	500	13	21
TMD-1371	RDS 600x600x12.5 GKF KL	5,03 kg	604	604	25	555	600	13	21

WELDED ALUMINUM INSPECTION DOORS

CLASSIC KL 15 mm

square key lock, fixed hinges

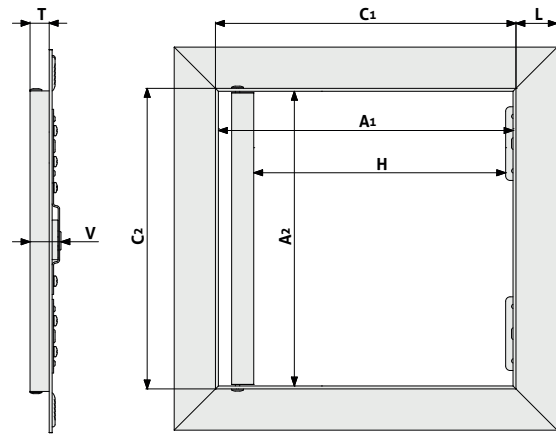
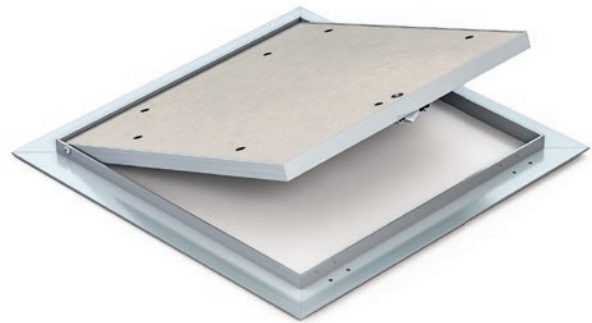
The doors are made of aluminum profiles that are welded into an outer and inner frame. The complete assembly is connected using a solid hinge allowing the door leaf to be opened if needed.




The white, green or red board is fastened to the inner frame using self-tapping screws.

The main advantages of the model are:

- Welded frames
- Low-profile lock
- Secured opening
- Firmly anchored inner leaf

Opening and closing is enabled by a plastic square key that is inserted into the hole in the board on the inner frame and by turning it, unlocks or locks the latch. The key is included in the package.



		
Wall	Ceiling	Square
Minimum size 150 mm x 150 mm		Maximum size 1100 mm x 1100 mm

Possible customer options:

- Different 15 mm board (GKFi, acoustic)
- Possibility of delivery without board (see page 65)
- Removable variant (see page 8)
- Safety cable
- Production of atypical and large dimensions - freely adjustable by 1mm for the given dimension
- Double-leaf variant (see pages 46-47)
- Possible combination with other locks

White board GKB for dry environment

Order no.	Article name (A1 x A2)	Weight	Installation size			Clear opening		Height	
			C1	C2	L	H	A1	T	V
TMD-5158	RDS 200x200x15 GKB KL	0,90 kg	204	204	25	153	200	15,5	23,5
TMD-5159	RDS 200x300x15 GKB KL	1,22 kg	204	304	25	153	300	15,5	23,5
TMD-2781	RDS 300x300x15 GKB KL	1,65 kg	304	304	25	253	300	15,5	23,5
TMD-5160	RDS 300x400x15 GKB KL	2,08 kg	304	404	25	253	400	15,5	23,5
TMD-5161	RDS 300x600x15 GKB KL	2,95 kg	304	604	25	253	600	15,5	23,5
TMD-5162	RDS 400x400x15 GKB KL	2,63 kg	404	404	25	353	400	15,5	23,5
TMD-5163	RDS 400x600x15 GKB KL	3,72 kg	404	604	25	353	600	15,5	23,5
TMD-3980	RDS 500x500x15 GKB KL	3,84 kg	504	504	25	453	500	15,5	23,5
TMD-5164	RDS 600x600x15 GKB KL	5,27 kg	604	604	25	553	600	15,5	23,5

Green board GKBi – impregnated for wet environment

Order no.	Article name (A1 x A2)	Weight	Installation size			Clear opening		Height	
			C1	C2	L	H	A1	T	V
TMD-5166	RDS 200x200x15 GKBi KL	0,97 kg	204	204	25	153	200	15,5	23,5
TMD-5167	RDS 300x300x15 GKBi KL	1,81 kg	304	304	25	253	300	15,5	23,5
TMD-3991	RDS 400x400x15 GKBi KL	2,92 kg	404	404	25	353	400	15,5	23,5
TMD-5168	RDS 500x500x15 GKBi KL	4,29 kg	504	504	25	453	500	15,5	23,5
TMD-5169	RDS 600x600x15 GKBi KL	5,93 kg	604	604	25	553	600	15,5	23,5

WELDED ALUMINUM INSPECTION DOORS

CLASSIC KL 25mm

square key lock, fixed hinges

The doors are made of aluminum profiles that are welded into an outer and inner frame. The complete assembly is connected using a solid hinge allowing the door leaf to be opened if needed.

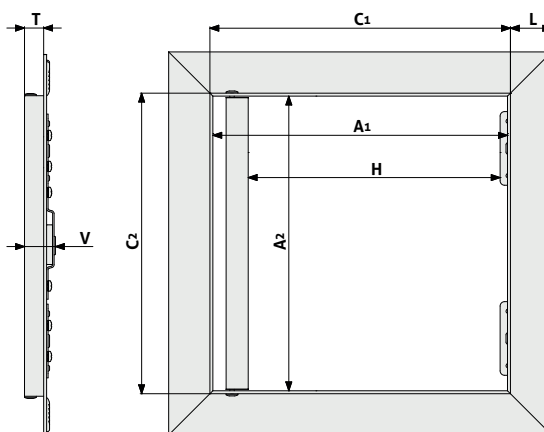
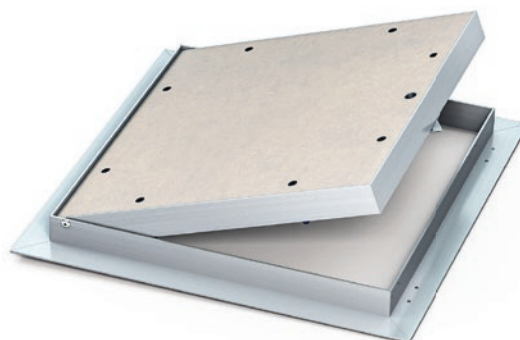
In the standard version, this model is manufactured in a thickness of 25 mm (2 x 12.5 mm) with a white or green board, fastened to the inner frame using self-tapping screws.




The main advantages of the model are:

- Welded frames
- Low-profile lock
- Secured opening
- Firmly anchored inner leaf

Opening and closing is enabled by a plastic square key that is inserted into the hole in the board on the inner frame and by turning it, unlocks or locks the latch. The key is included in the package.

Production of atypical dimensions and other customer options are the same as for the 15 mm variant (see page 38).



		
Wall	Ceiling	Square
Minimum size 150 mm x 150 mm		Maximum size 1000 mm x 1000 mm

When considering large-sized inspection doors with a double leaf, it is necessary to consider whether it is necessary for the inner leaf of the door to be filled with two panels, or if it would be sufficient to use only one panel with a thickness of 12.5 mm.

With the option of a single 12.5 mm panel, the outer frame is manufactured as standard for a 25 mm leaf. After installation, the visible side of the door leaf is flush with the wall or ceiling. In this option, it is possible to manufacture the door leaf in larger dimensions than 1000 mm x 1000 mm.

All details regarding production, maximum dimensions, and suitable door leaf options are available upon request from the manufacturer.

White board GKB for dry environment

Order no.	Article name (A1 x A2)	Weight	Installation size			Clear opening		Height	
			C1	C2	L	H	A1	T	V
TMD-5171	RDS 200x200x25 GKB KL	1,27 kg	204	204	25,5	145	200	25,5	33,5
TMD-3195	RDS 300x300x25 GKB KL	2,41 kg	304	304	25,5	245	300	25,5	33,5
TMD-5172	RDS 400x400x25 GKB KL	3,93 kg	404	404	25,5	345	400	25,5	33,5
TMD-5173	RDS 500x500x25 GKB KL	5,80 kg	504	504	25,5	445	500	25,5	33,5
TMD-3344	RDS 600x600x25 GKB KL	8,05 kg	604	604	25,5	545	600	25,5	33,5

Green board GKBi – impregnated for wet environment

Order no.	Article name (A1 x A2)	Weight	Installation size			Clear opening		Height	
			C1	C2	L	H	A1	T	V
TMD-5174	RDS 200x200x25 GKBi KL	1,29 kg	204	204	25,5	145	200	25,5	33,5
TMD-5175	RDS 300x300x25 GKBi KL	2,47 kg	304	304	25,5	245	300	25,5	33,5
TMD-5176	RDS 400x400x25 GKBi KL	4,02 kg	404	404	25,5	345	400	25,5	33,5
TMD-5177	RDS 500x500x25 GKBi KL	5,96 kg	504	504	25,5	445	500	25,5	33,5
TMD-5178	RDS 600x600x25 GKBi KL	8,27 kg	604	604	25,5	545	600	25,5	33,5

WELDED ALUMINUM INSPECTION DOORS

CLASSIC FAB 12.5 mm

safety key lock, fixed hinges

The doors are made from aluminum profiles that are welded into an outer and inner frame. The complete assembly is connected by a fixed hinge, allowing the door leaf to be opened when needed.

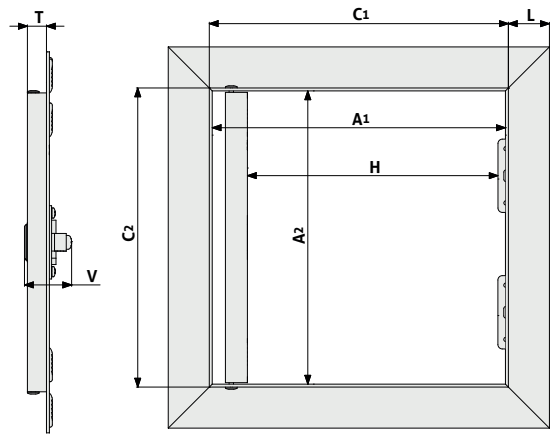
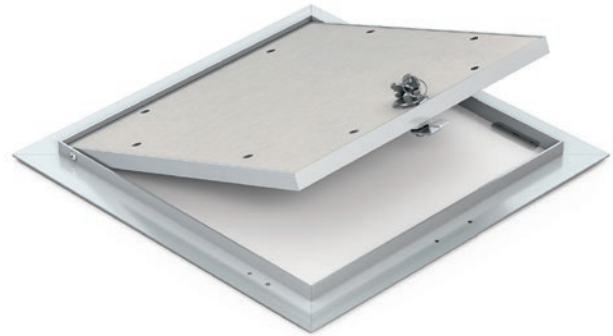
In the standard version, this model is produced with a white, green, or red board attached to the inner frame using self-tapping screws.




The main advantages of the model are:

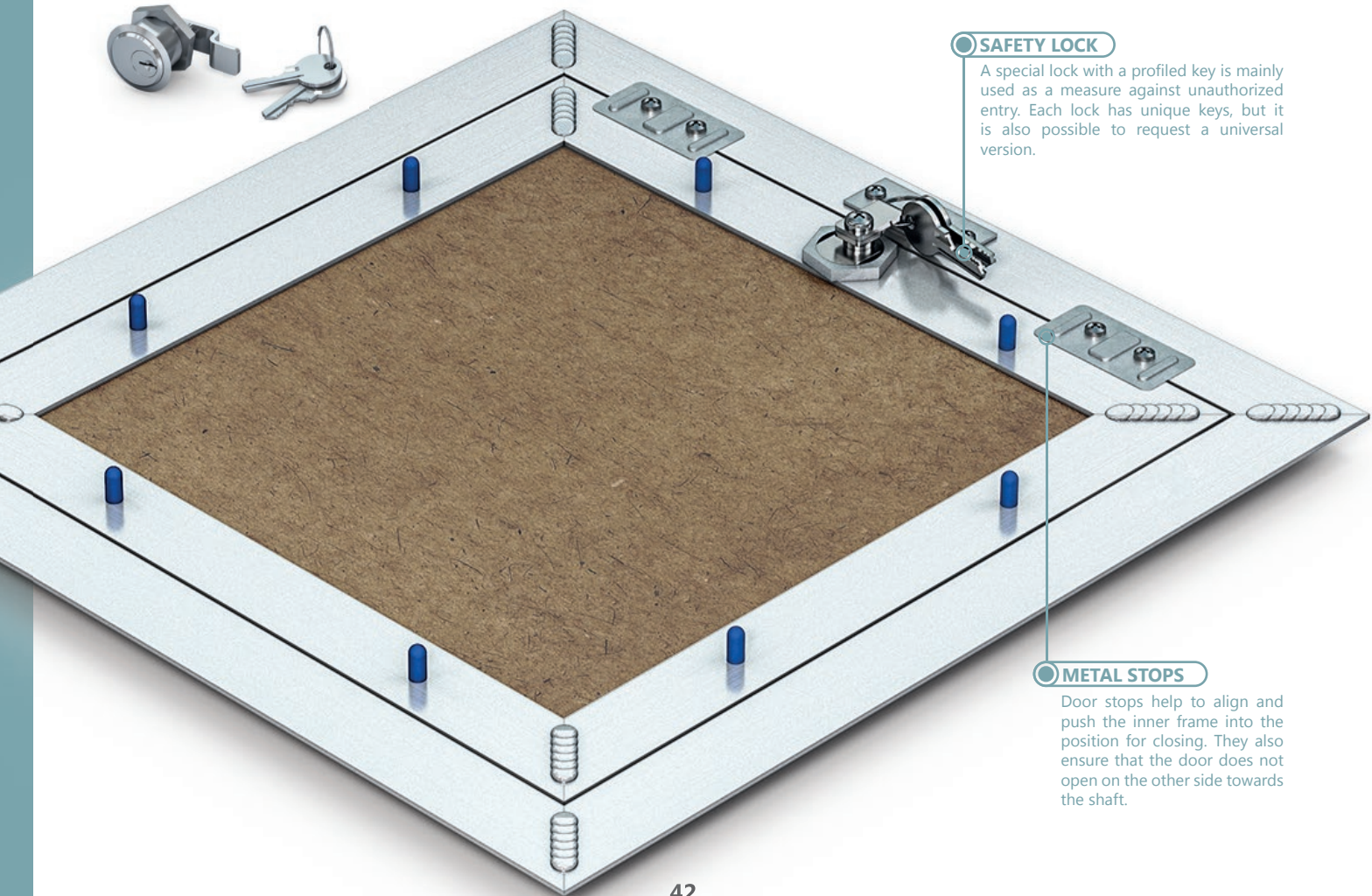
- Welded frames
- Security locking
- Securely anchored inner leaf

Opening and closing is enabled by a key inserted into the lock on the board of the inner frame and turned to unlock or lock the latch. Two keys are included in the package. Each FAB lock is unique to ensure high security. However, it is possible to produce multiple doors that can be opened with the same key upon customer request.

The doors are used for installation in openings where access by unauthorized persons is restricted.



 Wall	 Ceiling	 FAB
Minimum size 150 mm x 150 mm		Maximum size 1400 mm x 1400 mm



SAFETY LOCK

A special lock with a profiled key is mainly used as a measure against unauthorized entry. Each lock has unique keys, but it is also possible to request a universal version.

METAL STOPS

Door stops help to align and push the inner frame into the position for closing. They also ensure that the door does not open on the other side towards the shaft.

White board GKB for dry environment

Order no.	Article name (A1 x A2)	Weight	Installation size			Clear opening		Height	
			C1	C2	L	H	A1	T	V
TMD-3856	RDS 200x200x12.5 GKB FAB	0,83 kg	204	204	25	155	200	13	35
TMD-1909	RDS 200x300x12.5 GKB FAB	1,11 kg	204	304	25	155	300	13	35
TMD-1675	RDS 300x300x12.5 GKB FAB	1,47 kg	304	304	25	255	300	13	35
TMD-1601	RDS 300x400x12.5 GKB FAB	1,84 kg	304	404	25	255	400	13	35
TMD-2310	RDS 300x600x12.5 GKB FAB	2,57 kg	304	604	25	255	600	13	35
TMD-3857	RDS 400x400x12.5 GKB FAB	2,30 kg	404	404	25	355	400	13	35
TMD-2880	RDS 400x600x12.5 GKB FAB	3,22 kg	404	604	25	355	600	13	35
TMD-3858	RDS 500x500x12.5 GKB FAB	3,31 kg	504	504	25	455	500	13	35
TMD-1410	RDS 600x600x12.5 GKB FAB	4,50 kg	604	604	25	555	600	13	35
TMD-1859	RDS 700x700x12.5 GKB FAB	5,88 kg	704	704	25	655	700	13	35

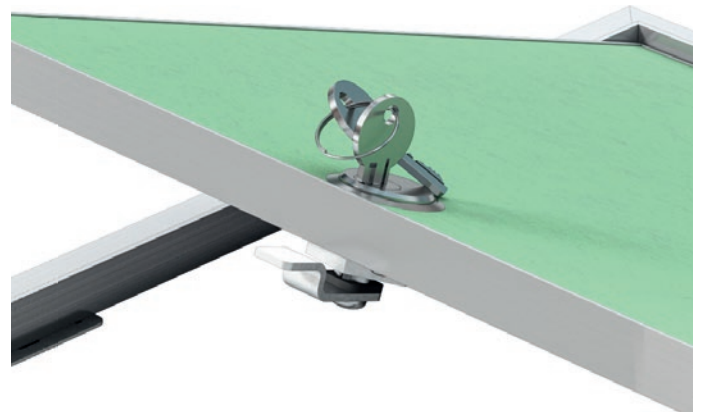
Possible options on customer's request:

- Different 12.5 mm board (GKFi, acoustic, perforated...)
- For larger sizes, it is possible to add 2x US locks or a handle instead of metal stops
- Removable version
- Safety cable
- Production of non-standard dimensions
- Double-leaf variant

Rooms with high humidity such as bathrooms or toilets, require the use of a more durable green board which contains an impregnated layer.

Green board GKBi – impregnated for wet environment

Order no.	Article name (A1 x A2)	Weight	Installation size			Clear opening		Height	
			C1	C2	L	H	A1	T	V
TMD-1376	RDS 200x200x12.5 GKBi FAB	0,84 kg	204	204	28	155	200	13	35
TMD-2253	RDS 200x300x12.5 GKBi FAB	1,13 kg	204	304	28	155	300	13	35
TMD-4752	RDS 300x300x12.5 GKBi FAB	1,50 kg	304	304	28	255	300	13	35
TMD-2711	RDS 300x400x12.5 GKBi FAB	1,88 kg	304	404	28	255	400	13	35
TMD-1050	RDS 300x600x12.5 GKBi FAB	2,63 kg	304	604	28	255	600	13	35
TMD-4706	RDS 400x400x12.5 GKBi FAB	2,35 kg	404	404	28	355	400	13	35
TMD-4279	RDS 400x600x12.5 GKBi FAB	3,29 kg	404	604	28	355	600	13	35
TMD-0877	RDS 500x500x12.5 GKBi FAB	3,38 kg	504	504	28	455	500	13	35
TMD-4705	RDS 600x600x12.5 GKBi FAB	4,61 kg	604	604	28	555	600	13	35
TMD-3545	RDS 700x700x12.5 GKBi FAB	6,03 kg	704	704	28	655	700	13	35



WELDED ALUMINUM INSPECTION DOORS

CLASSIC FAB 15 mm

safety key lock, fixed hinges

The doors are made of aluminum profiles that are welded into an outer and inner frame. The complete assembly is connected by a fixed hinge allowing the door wing to be opened if necessary.

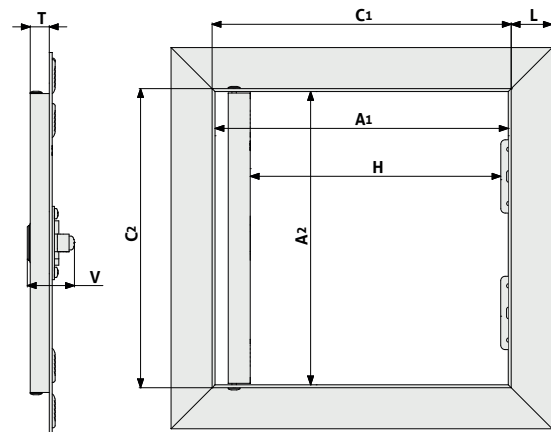
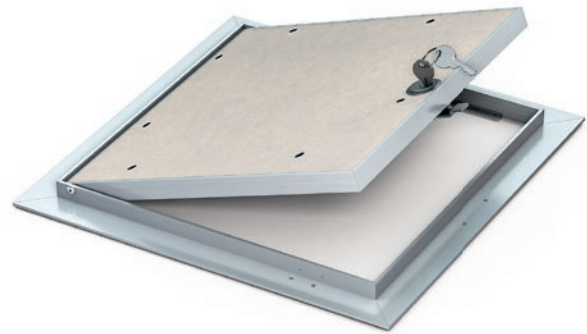
A white, green, or red panel is attached to the inner frame using self-tapping screws.

The main advantages of this model are:

- Welded frames
- Security locking
- Securely anchored inner leaf

Opening and closing is possible with a key inserted into the lock on the panel of the inner frame, which when turned unlocks or locks the latch. Two keys are included in the package.

Custom sizes and other customer-requested options are the same as for the 12.5 mm variant (see page 40).



Wall	Ceiling	FAB
Minimum size 150 mm x 150 mm		Maximum size 1100 mm x 1100 mm

Possible custom options:

- Different 15 mm board (GKF, GKFi, ...ect.)
- Removable variant
- Security cable
- Custom sizes
- Double-leaf variant
- For larger sizes, the option to add 2x US lock or handle instead of metal stops is available.

White board GKB for dry environment

Order no.	Article name (A1 x A2)	Weight	Installation size			Clear opening		Height	
			C1	C2	L	H	A1	T	V
TMD-1877	RDS 200x200x15 GKB FAB	0,92 kg	204	204	25	152	200	15,5	35
TMD-2231	RDS 200x300x15 GKB FAB	1,23 kg	204	304	25	152	300	15,5	35
TMD-1785	RDS 300x300x15 GKB FAB	1,67 kg	304	304	25	252	300	15,5	35
TMD-2281	RDS 300x400x15 GKB FAB	2,10 kg	304	404	25	252	400	15,5	35
TMD-1949	RDS 300x600x15 GKB FAB	2,96 kg	304	604	25	252	600	15,5	35
TMD-2685	RDS 400x400x15 GKB FAB	2,65 kg	404	404	25	352	400	15,5	35
TMD-1205	RDS 400x600x15 GKB FAB	3,74 kg	404	604	25	352	600	15,5	35
TMD-2185	RDS 500x500x15 GKB FAB	3,85 kg	504	504	25	452	500	15,5	35
TMD-0866	RDS 600x600x15 GKB FAB	5,29 kg	604	604	25	552	600	15,5	35

Green board GKBi – impregnated for wet environment

Order no.	Article name (A1 x A2)	Weight	Installation size			Clear opening		Height	
			C1	C2	L	H	A1	T	V
TMD-2970	RDS 200x200x15 GKBi FAB	0,99 kg	204	204	25	152	200	15,5	35
TMD-2361	RDS 300x300x15 GKBi FAB	1,83 kg	304	304	25	252	300	15,5	35
TMD-2698	RDS 400x400x15 GKBi FAB	2,94 kg	404	404	25	352	400	15,5	35
TMD-2015	RDS 500x500x15 GKBi FAB	4,31 kg	504	504	25	452	500	15,5	35
TMD-1415	RDS 600x600x15 GKBi FAB	5,95 kg	604	604	25	552	600	15,5	35

WELDED ALUMINUM INSPECTION DOORS

CLASSIC FAB 25 mm

safety key lock, fixed hinges

The doors are made of aluminum profiles that are welded into an outer and inner frame. The complete assembly is connected by a fixed hinge allowing the door wing to be opened if necessary.

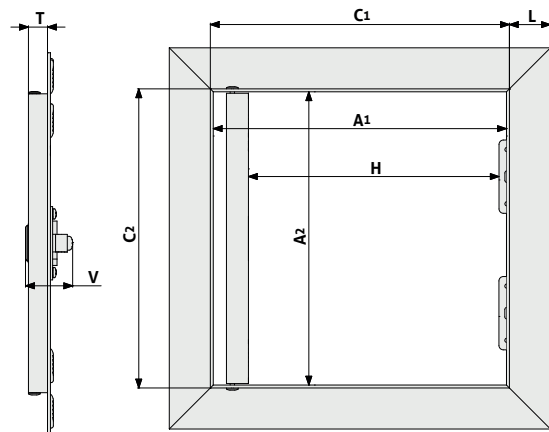
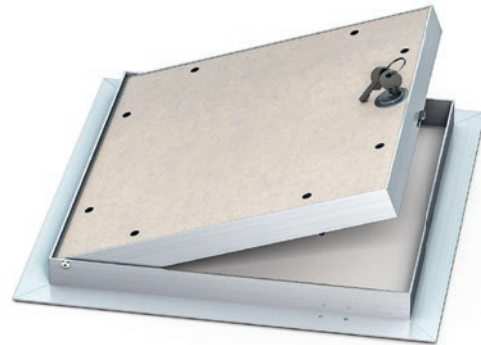
In the standard version, this model is produced with a thickness of 25 mm (2x12.5 mm) with a white or green panel attached to the inner frame using self-tapping screws.




The main advantages of this model are:

- Welded frames
- Security locking
- Variants for double closure
- Securely anchored inner leaf

Opening and closing is possible with a key inserted into the lock on the panel of the inner frame, which when turned unlocks or locks the latch. Two keys are included in the package.

Custom sizes and other customer-requested options are the same as for the 15 mm variant (see page 42).



		
Wall	Ceiling	FAB
Minimum size 150 mm x 150 mm		Maximum size 1000 mm x 1000 mm

When considering large-sized inspection doors with a double leaf, it is necessary to consider whether it is necessary for the inner leaf of the door to be filled with two panels, or if it would be sufficient to use only one panel with a thickness of 12.5 mm.

With the option of a single 12.5 mm panel, the outer frame is manufactured as standard for a 25 mm leaf. After installation, the visible side of the door leaf is flush with the wall or ceiling. In this option, it is possible to manufacture the door leaf in larger dimensions than 1000 mm x 1000 mm.

All details regarding production, maximum dimensions, and suitable door leaf options are available upon request from the manufacturer.

White board GKB for dry environment

Order no.	Article name (A1 x A2)	Weight	Installation size			Clear opening		Height	
			C1	C2	L	H	A1	T	V
TMD-2523	RDS 200x200x25 GKB FAB	1,29 kg	204	204	25,5	145	200	25,5	35
TMD-1439	RDS 300x300x25 GKB FAB	2,43 kg	304	304	25,5	245	300	25,5	35
TMD-4625	RDS 400x400x25 GKB FAB	3,94 kg	404	404	25,5	345	400	25,5	35
TMD-2819	RDS 500x500x25 GKB FAB	5,82 kg	504	504	25,5	445	500	25,5	35
TMD-2676	RDS 600x600x25 GKB FAB	8,07 kg	604	604	25,5	545	600	25,5	35

Green board GKBi – impregnated for wet environment

Order no.	Article name (A1 x A2)	Weight	Installation size			Clear opening		Height	
			C1	C2	L	H	A1	T	V
TMD-1190	RDS 200x200x25 GKBi FAB	1,31 kg	204	204	25,5	145	200	25,5	35
TMD-3977	RDS 300x300x25 GKBi FAB	2,49 kg	304	304	25,5	245	300	25,5	35
TMD-2075	RDS 400x400x25 GKBi FAB	4,04 kg	404	404	25,5	345	400	25,5	35
TMD-1377	RDS 500x500x25 GKBi FAB	5,98 kg	504	504	25,5	445	500	25,5	35
TMD-3971	RDS 600x600x25 GKBi FAB	8,29 kg	604	604	25,5	545	600	25,5	35

WELDED ALUMINUM INSPECTION DOORS

CLASSIC CYLINDRICAL 12.5mm

security lock, fixed hinges

The doors are made of aluminum profiles which are welded into an outer and inner frame. The complete assembly is connected with a fixed hinge and allows opening of the door leaf if necessary.

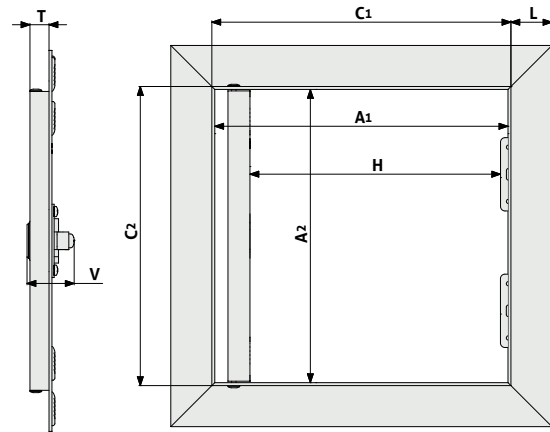
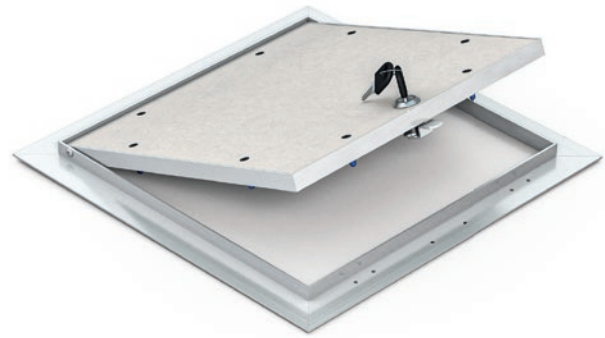
A white, green or red panel is attached to the inner frame using self-tapping screws.




Main advantages of the model:

- Welded frames
- Safety locking
- Firmly anchored inner frame

Opening and closing is enabled by a cylinder lock which is inserted into the lock in the panel on the inner frame and by turning, unlocks or locks the latch. Two keys are included in the package.

Production of non-standard dimensions and other options upon customer request.



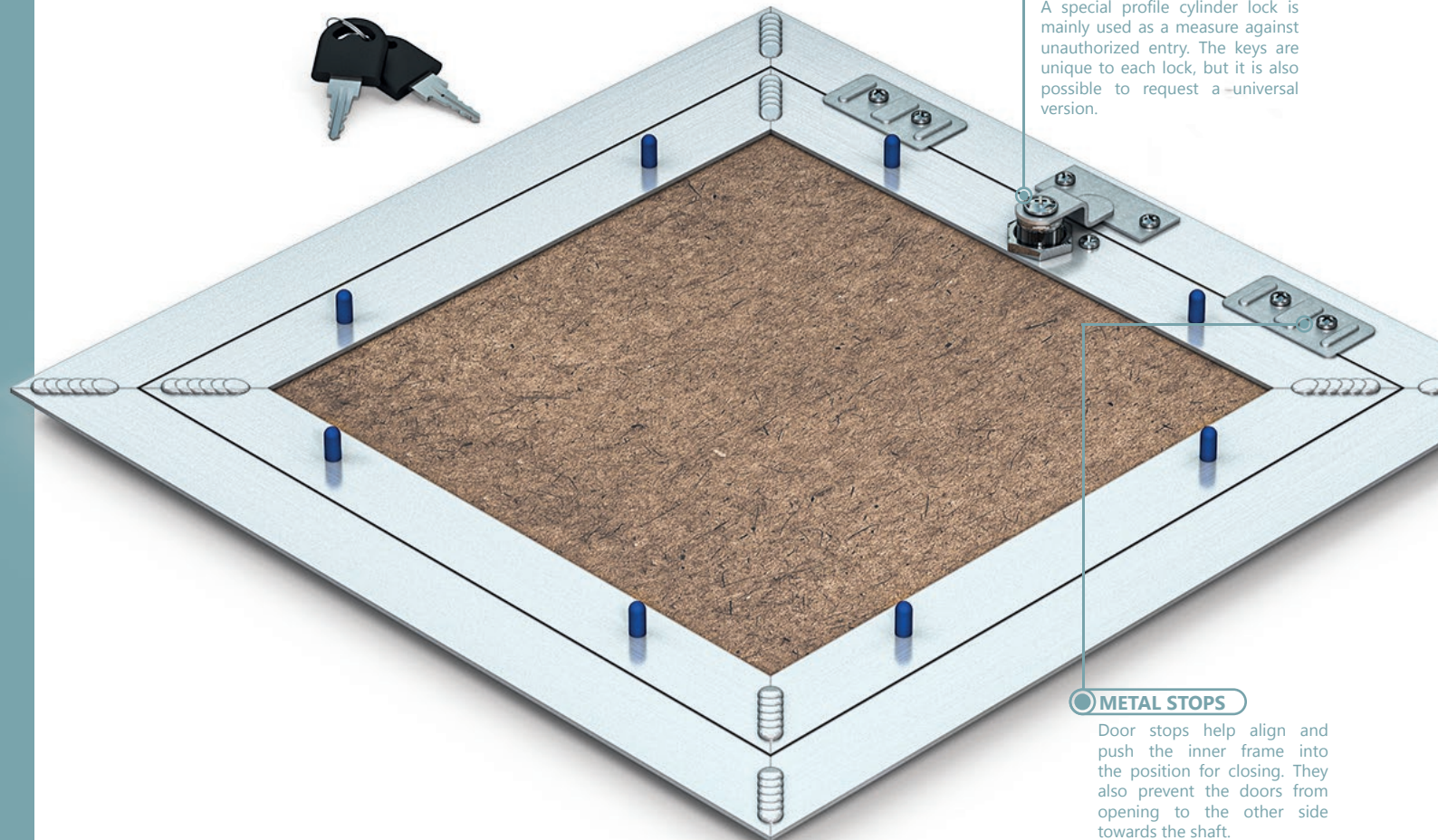
 Wall	 Ceiling	 Cylinder
Minimum size 150 mm x 150 mm		Maximum size 1400 mm x 1400 mm

SECURITY LOCK

A special profile cylinder lock is mainly used as a measure against unauthorized entry. The keys are unique to each lock, but it is also possible to request a –universal version.

METAL STOPS

Door stops help align and push the inner frame into the position for closing. They also prevent the doors from opening to the other side towards the shaft.



White board GKB for dry environment

Order no.	Article name (A1 x A2)	Weight	Installation size			Clear opening		Height	
			C1	C2	L	H	A1	T	V
TMD-0752	RDS 200x200x12.5 GKB CL	0,83 kg	204	204	25	155	200	13	37
TMD-0766	RDS 300x300x12.5 GKB CL	1,53 kg	204	304	25	155	300	13	37
TMD-0769	RDS 400x400x12.5 GKB CL	2,35 kg	304	304	25	255	300	13	37
TMD-0770	RDS 500x500x12.5 GKB CL	3,34 kg	304	404	25	255	400	13	37
TMD-0771	RDS 600x600x12.5 GKB CL	4,51 kg	304	604	25	255	600	13	37

Possible custom options for the product:

- Different 12.5 mm board (GKFi, acoustic, perforated...)
- For larger sizes, the option to add 2x US lock or handle instead of metal stops
- Removable version
- Safety cable
- Custom sizes production
- Double-leaf version



Rooms with high humidity such as bathrooms or toilets require the use of a more durable green board which contains an impregnated layer.

Green board GKBi – impregnated for wet environment

Order no.	Article name (A1 x A2)	Weight	Installation size			Clear opening		Height	
			C1	C2	L	H	A1	T	V
TMD-6331	RDS 200x200x12.5 GKBi CL	0,84 kg	204	204	28	155	200	13	37
TMD-0840	RDS 300x300x12.5 GKBi CL	1,56 kg	204	304	28	155	300	13	37
TMD-0858	RDS 400x400x12.5 GKBi CL	2,39 kg	304	304	28	255	300	13	37
TMD-0860	RDS 500x500x12.5 GKBi CL	3,42 kg	304	404	28	255	400	13	37
TMD-6332	RDS 600x600x12.5 GKBi CL	4,62 kg	304	604	28	255	600	13	37



WELDED ALUMINUM INSPECTION DOORS

DOUBLE-WINGED 12.5 mm

push lock, fixed hinges, two wings

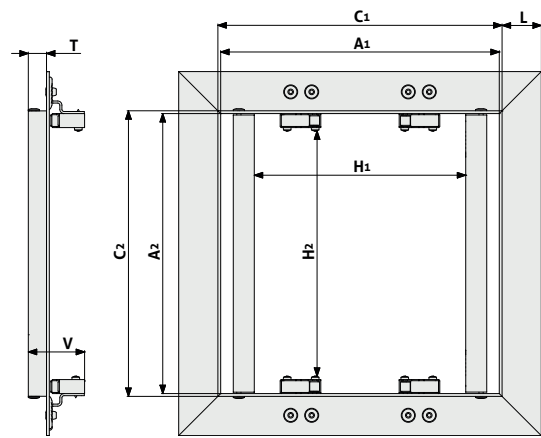
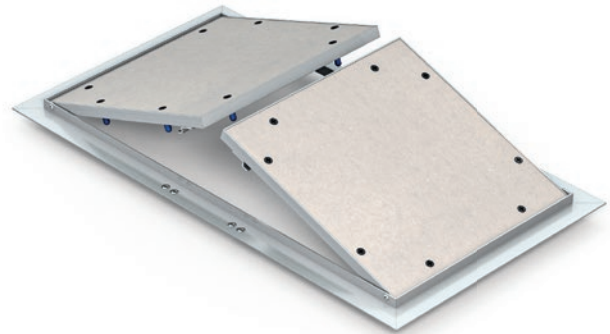
These types of doors are mainly used for large dimensions. The doors are made of standard profile, but for larger dimensions, reinforced profiles are used to prevent bending of the frame and make it easier to handle during transportation and installation. For this type of door it is important to consider the desired clear passage when specifying the dimensions, as the opening of the wings will cause a reduction on both sides.




Main advantages of the model:

- **Welded frames**
- **Two openable wings without dividing partition**
- **Easy-to-open push lock**
- **Reinforced frames for dimensions over 1000 mm**
- **Firmly anchored inner leaves**

Convenient opening and closing is ensured by four push-type US locks, which are located on the outer frame. Pressing on the wing plate at the lock location causes the latch to snap in or out.

This variant is mainly used for large dimensions, where a single independent wing would be too heavy and the hinges would not support it. At the same time, it facilitates overall handling.



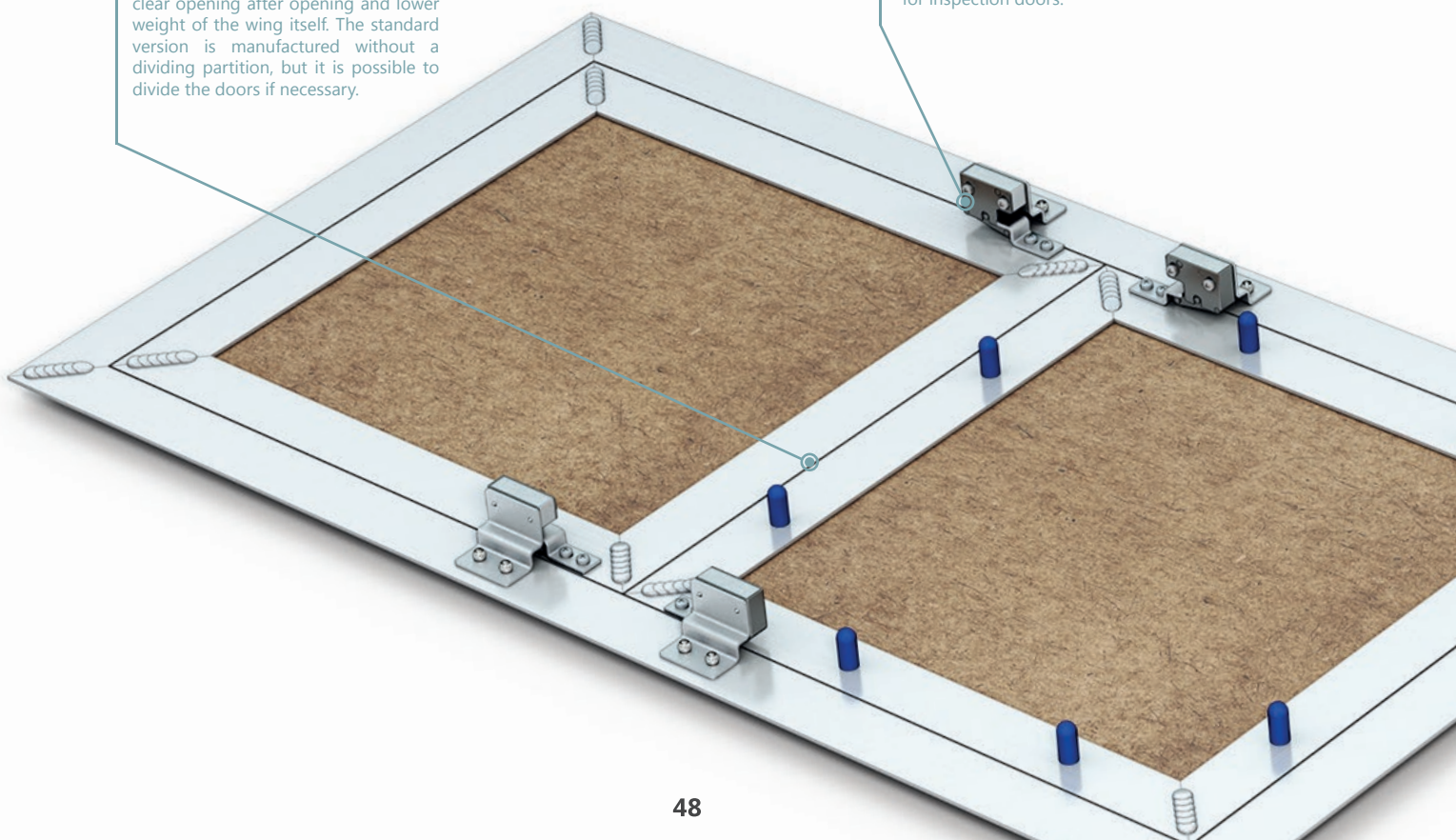
		
Wall	Ceiling	Push
Minimum size 300 mm x 300 mm		Maximum size available on request

TWO WINGS

The wings can be opened independently of each other and are suitable mainly for large door sizes. They offer a large clear opening after opening and lower weight of the wing itself. The standard version is manufactured without a dividing partition, but it is possible to divide the doors if necessary.

PUSH LOCK

The simple, invisible, and convenient push-to-open system on the inner frame panel makes push locks the most commonly used closing variant for inspection doors.



Possible customer options:

- Different board (GKFi, acoustic, perforated...)
- Removable version
- Safety cable
- Possibility of delivery without panels
- Modification for ceramic tile (see page 68-70)
- Double-leaf doors can also be manufactured in thicknesses of 15 and 25 mm*



DOUBLE-WINGED DOORS FOR CEILING

HINGED:

For larger sizes, hinged doors use metal pins instead of traditional metal rivets, and both frames are reinforced with steel angles at the hinge location. Oversized dimensions are only available in the removable variant made of reinforced profiles.

REMOVABLE:

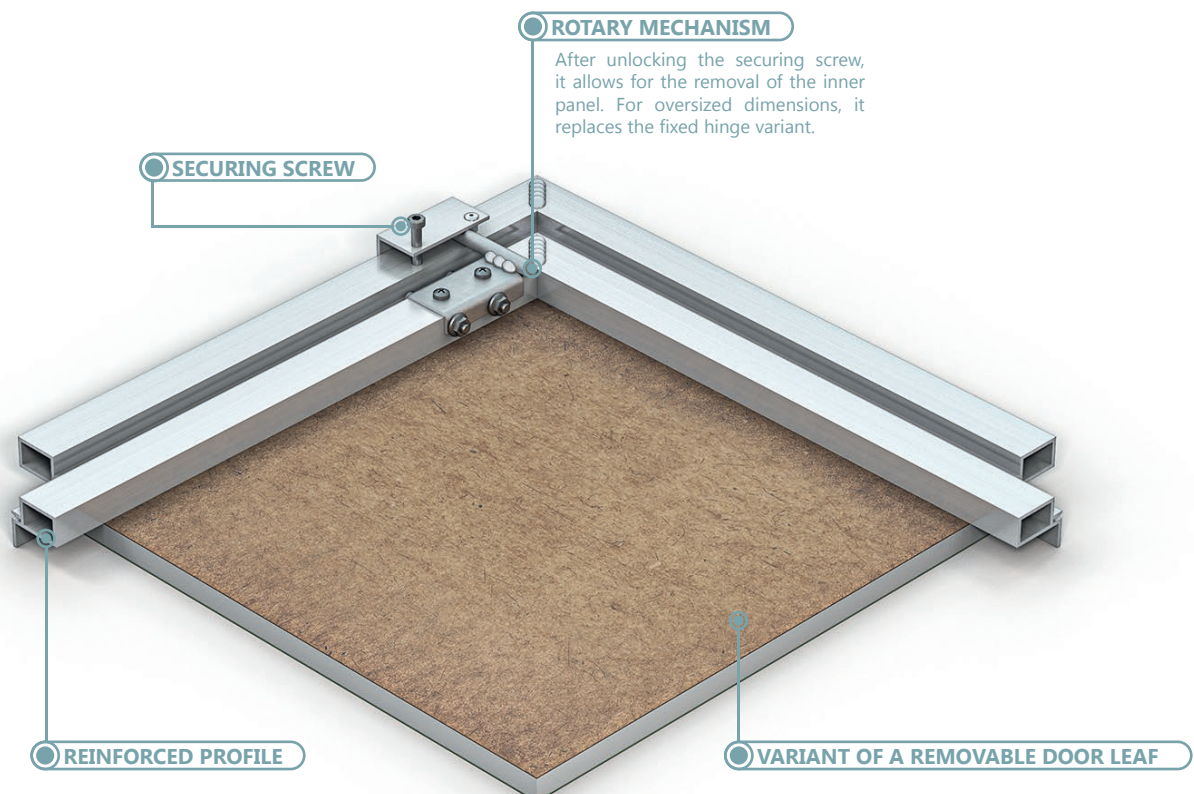
For oversized dimensions, the doors are made removable from reinforced profiles for higher security. This ensures easier installation, where the outer frame is first installed separately, followed by the insertion of the door leaf, which is secured by two screws to prevent unintentional dislodging. The doors can function similarly to hinged doors. Due to higher security requirements, oversized doors are equipped with a four-sided key lock. These doors must be anchored not only to the cladding of the suspended ceiling but also to the solid structure of the building using wires. Details of the installation are provided in the manual included in the package.

DOUBLE-WINGED DOORS FOR WALLS

The doors for wall also use metal pins instead of rivets which are reinforced with steel angles at the hinge location. The doors can also be made removable.

*Doubled doors can also be made in a thickness of 15 and 25 mm, but with limited dimensions compared to the 12.5 mm variant due to the higher weight of the doors and the profile options available.

For further details on production, maximum sizes, and suitable door options, please contact the manufacturer.



WELDED ALUMINUM INSPECTION DOORS

AIR-TIGHT 12.5 mm

push lock, fixed hinges, rubber sealing



The doors are made of special aluminum profiles that are welded into the outer and inner frame. The complete assembly is connected by a fixed hinge allowing the door leaf to be opened if necessary.

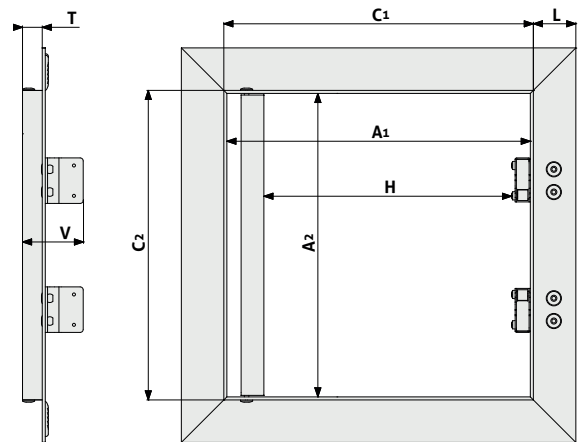
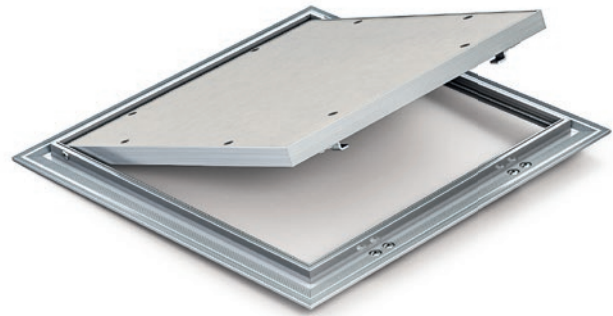
The inner frame of the door is fitted with a rubber seal* that prevents air from passing through. In the standard version this model is produced with a white, green or red board.

The main advantages of the model:

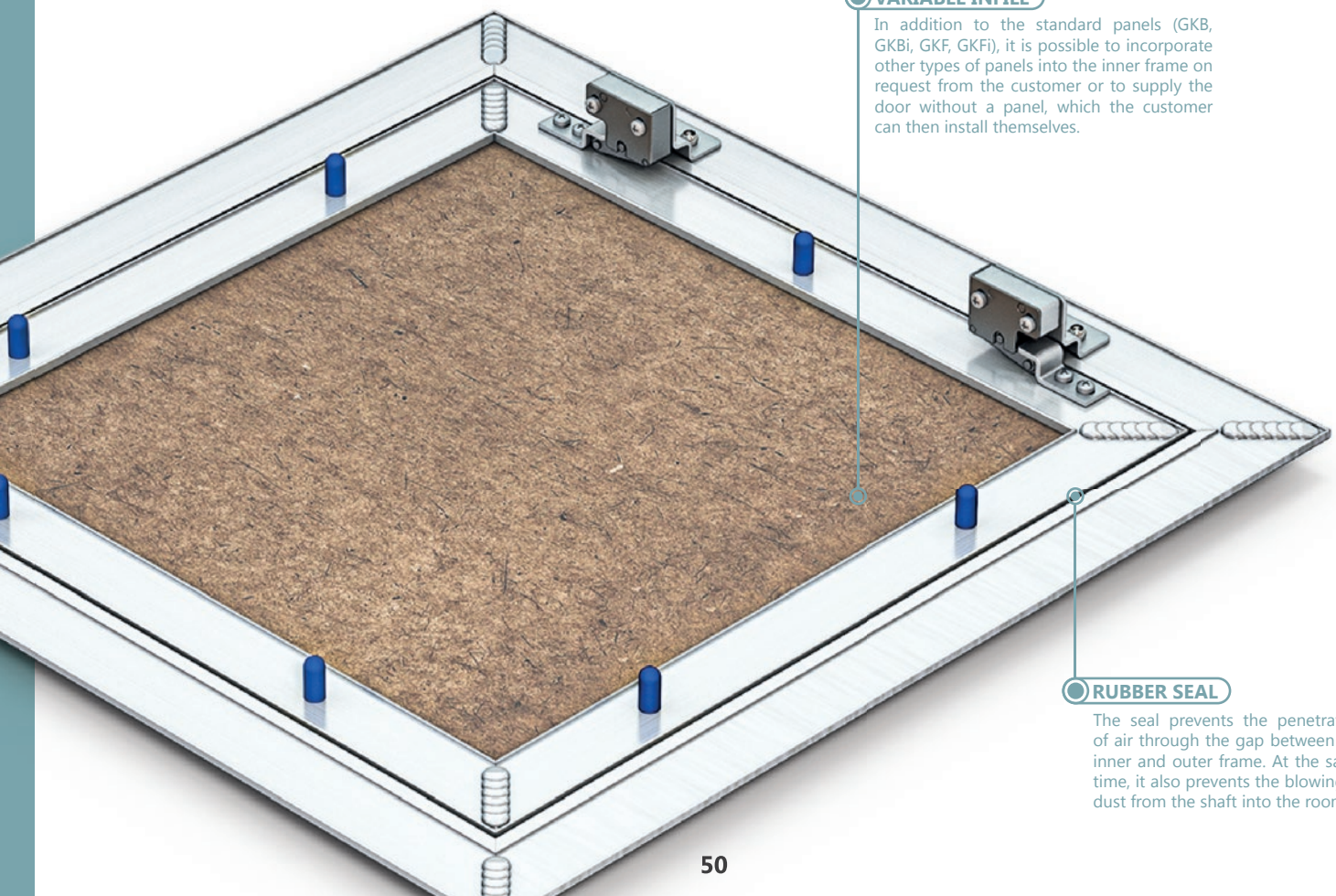
- **Welded frames**
- **Easy-to-open push lock**
- **Rubber seal tested for air permeability**
- **Firmly anchored inner leaf**

Convenient opening and closing is ensured by push US locks which are located on the outer frame. Pushing on the plate of the inner frame at the lock causes the latch to snap or unsnap.

The doors have been tested for air permeability in category 4 according to the ČSN EN 1026 standard. If this standard is required, a lock on a square key is also placed in the center between the push locks. This type of door is only available in a single-leaf variant.



Wall	Ceiling	Push	Air-tight	Dust
Minimum size partition/ceiling 150 mm x 150 mm		Maximum size partition 1100 mm x 1100 mm ceiling 1300 mm x 1300 mm		



VARIABLE INFILL

In addition to the standard panels (GKB, GKBi, GKF, GKFi), it is possible to incorporate other types of panels into the inner frame on request from the customer or to supply the door without a panel, which the customer can then install themselves.

RUBBER SEAL

The seal prevents the penetration of air through the gap between the inner and outer frame. At the same time, it also prevents the blowing of dust from the shaft into the room.

White board GKB for dry environment

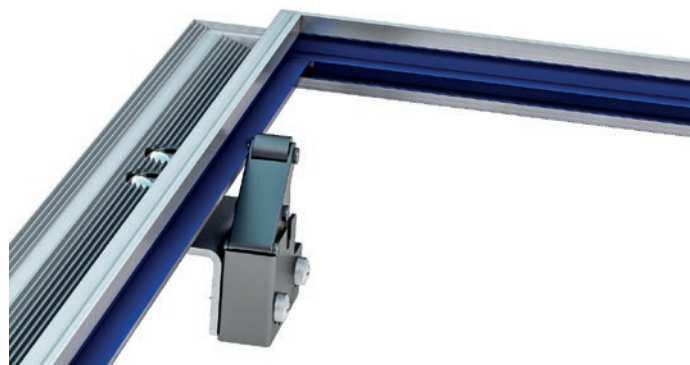
Order no.	Article name (A1 x A2)	Weight	Installation size			Clear opening		Height	
			C1	C2	L	H	A2	T	V
TMD-3354	RDSt 200x200x12.5 GKB US air-tight	0,91 kg	212	212	23	149	200	13	42
TMD-1878	RDSt 200x300x12.5 GKB US air-tight	1,18 kg	212	312	23	149	300	13	42
TMD-3355	RDSt 300x300x12.5 GKB US air-tight	1,54 kg	312	312	23	249	300	13	42
TMD-3942	RDSt 300x400x12.5 GKB US air-tight	1,90 kg	312	412	23	249	400	13	42
TMD-1591	RDSt 300x600x12.5 GKB US air-tight	2,62 kg	312	612	23	249	600	13	42
TMD-3356	RDSt 400x400x12.5 GKB US air-tight	2,35 kg	412	412	23	349	400	13	42
TMD-3941	RDSt 400x600x12.5 GKB US air-tight	3,25 kg	412	612	23	349	600	13	42
TMD-3357	RDSt 500x500x12.5 GKB US air-tight	3,34 kg	512	512	23	449	500	13	42
TMD-3358	RDSt 600x600x12.5 GKB US air-tight	4,52 kg	612	612	23	549	600	13	42
TMD-3347	RDSt 700x700x12.5 GKB US air-tight	5,88 kg	712	712	23	649	700	13	42

Possible options upon customer's request:

- Screwed or glued
- Different 12.5 mm thick board (GKF, GKFi, acoustic blue)
- Removable variant
- Safety cable
- Possibility of delivery without board
- Production of atypical dimensions on demand
- Tiles (see page 68)
- Double-leaf variant
- Different lock (Square, FAB lock, ...)

Green board GKBi – impregnated for wet environment

Order no.	Article name (A1 x A2)	Weight	Installation size			Clear opening		Height	
			C1	C2	L	H	A2	T	V
TMD-4031	RDSt 200x200x12.5 GKBi US air-tight	0,93 kg	212	212	23	149	200	13	42
TMD-2836	RDSt 200x200x12.5 GKBi US air-tight	1,20 kg	212	312	23	149	300	13	42
TMD-4032	RDSt 300x300x12.5 GKBi US air-tight	1,57 kg	312	312	23	249	300	13	42
TMD-1232	RDSt 300x400x12.5 GKBi US air-tight	1,94 kg	312	412	23	249	400	13	42
TMD-2454	RDSt 300x600x12.5 GKBi US air-tight	2,67 kg	312	612	23	249	600	13	42
TMD-4033	RDSt 400x400x12.5 GKBi US air-tight	2,40 kg	412	412	23	349	400	13	42
TMD-2553	RDSt 400x600x12.5 GKBi US air-tight	3,33 kg	412	612	23	349	600	13	42
TMD-4034	RDSt 500x500x12.5 GKBi US air-tight	3,42 kg	512	512	23	449	500	13	42
TMD-4035	RDSt 600x600x12.5 GKBi US air-tight	4,63 kg	612	612	23	549	600	13	42
TMD-2145	RDSt 700x700x12.5 GKBi US air-tight	6,03 kg	712	712	23	649	700	13	42



* The color of the seal is for illustration purposes only. The actual color may vary.

WELDED ALUMINUM INSPECTION DOORS

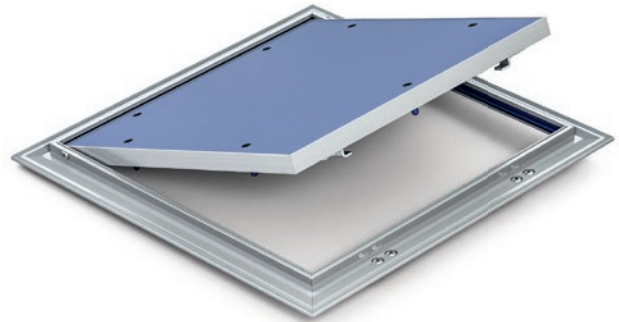
ACOUSTIC 12.5 mm 31 dB

push lock, fixed hinges, rubber sealing



The doors are made of special aluminum profiles that are welded into an outer and inner frame. The complete assembly is connected with a solid hinge and allows the door leaf to be opened if needed.

The outer frame of the door is fitted with a rubber seal to prevent air from passing through. The inner frame infill is made of a blue acoustic board fastened with self-tapping screws. In order to increase acoustic resistance the back of the board is additionally fitted with a galvanized sheet in a thickness of 0.6 mm.

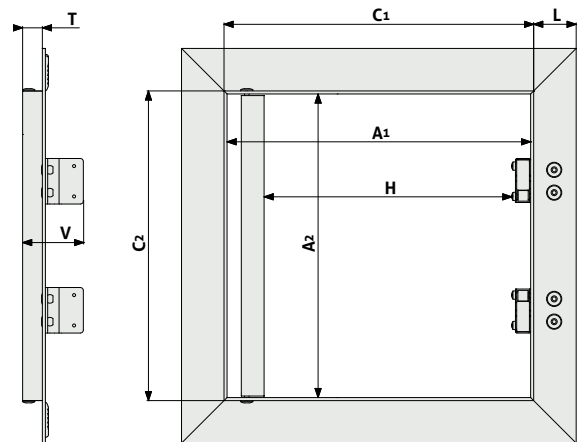


The main advantages of the model are:

- **Welded frames**
- **Easy-to-open push lock**
- **Acoustic resistance certificate up to 31 dB**
- **Firmly anchored inner leaf**

Convenient opening and closing is guaranteed by push-button locks located on the outer frame. Pressing on the inner frame plate at the lock position causes the latch to snap in or out.

The doors were tested for sound transmission according to the ČSN EN ISO 717-1 standard.



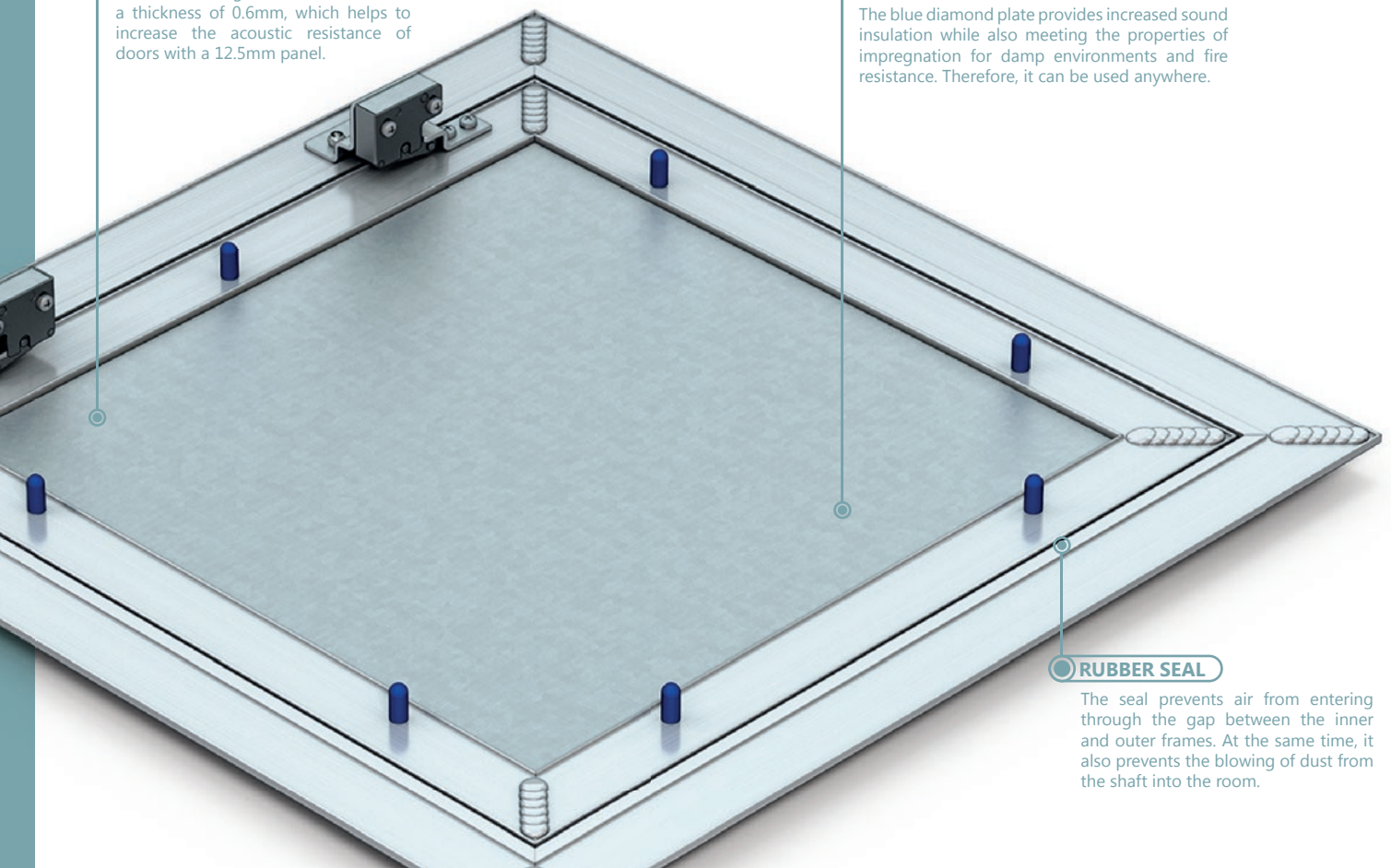
Wall	Ceiling	Masonry	Push	Acoustic
Minimum size Wall/Ceiling 150 mm x 150 mm		Maximum size Wall: 1100 mm x 1100 mm Ceiling: 900 mm x 900 mm		

● GALVANIZED SHEET

The back side of the inner frame is fitted with a galvanized sheet with a thickness of 0.6mm, which helps to increase the acoustic resistance of doors with a 12.5mm panel.

● ACOUSTIC BOARD

The blue diamond plate provides increased sound insulation while also meeting the properties of impregnation for damp environments and fire resistance. Therefore, it can be used anywhere.



● RUBBER SEAL

The seal prevents air from entering through the gap between the inner and outer frames. At the same time, it also prevents the blowing of dust from the shaft into the room.

Although the outer frame is designed for installation in plasterboard the certification is also valid for installation in a masonry wall.

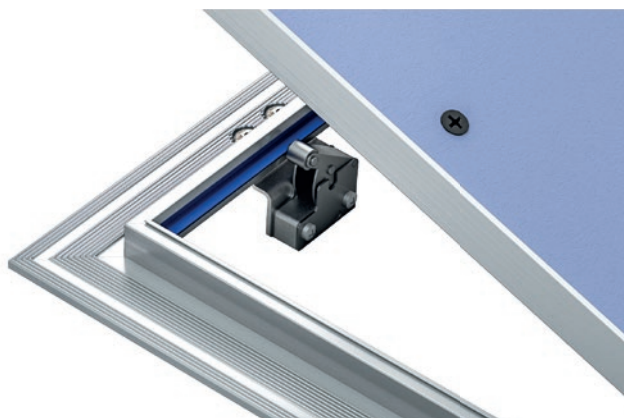
Possible custom options:

- Removable version
- Safety cable
- Production of non-standard dimensions
- Lock with square key instead of push-button



Blue acoustic board

Order no.	Article name (A1 x A2)	Weight	Installation size			Clear opening		Height	
			C1	C2	L	H	A2	T	V
TMD-3648	RDSa 200x200x12.5 US acoustic -31dB	1,29 kg	212	212	23	149	200	13	42
TMD-5183	RDSa 200x300x12.5 US acoustic -31dB	1,77 kg	212	312	23	149	300	13	42
TMD-3649	RDSa 300x300x12.5 US acoustic -31dB	2,45 kg	312	312	23	249	300	13	42
TMD-5184	RDSa 300x400x12.5 US acoustic -31dB	3,14 kg	312	412	23	249	400	13	42
TMD-5185	RDSa 300x600x12.5 US acoustic -31dB	4,51 kg	312	612	23	249	600	13	42
TMD-3650	RDSa 400x400x12.5 US acoustic -31dB	4,04 kg	412	412	23	349	400	13	42
TMD-5186	RDSa 400x600x12.5 US acoustic -31dB	5,82 kg	412	612	23	349	600	13	42
TMD-3651	RDSa 500x500x12.5 US acoustic -31dB	6,04 kg	512	512	23	449	500	13	42
TMD-3652	RDSa 600x600x12.5 US acoustic -31dB	8,44 kg	612	612	23	549	600	13	42
TMD-5187	RDSa 700x700x12.5 US acoustic -31dB	11,28 kg	712	712	23	649	700	13	42



* The color of the seal is for illustration purposes only. The actual color may vary.

WELDED ALUMINUM INSPECTION DOORS

ACOUSTIC 25 mm 34 dB

push lock, fixed hinges, rubber sealing



The doors are made of aluminum profiles, which are welded to the outer and inner frames. The complete assembly is connected by a solid hinge allowing the door leaf to be opened when necessary.

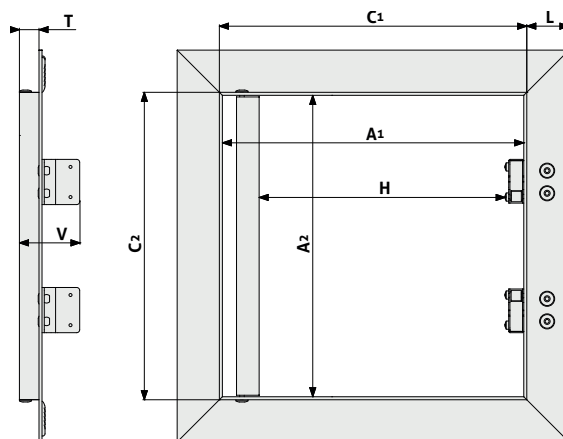
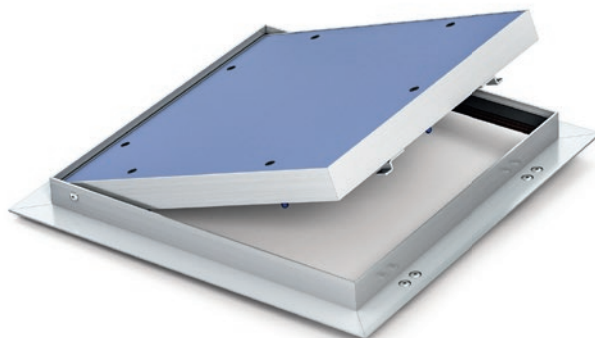
The outer frame of the door is fitted with a rubber seal, which prevents air from passing through. The infill of the inner frame is made of blue acoustic panels, attached with self-tapping screws.

Main advantages of the model:

- **Welded frames**
- **Easy-to-open push-button lock**
- **Acoustic resistance certificate up to 34 dB**
- **Firmly anchored inner leaf**

Convenient opening and closing is ensured by push-button locks located on the outer frame. Pushing on the plate of the inner frame at the lock position causes the latch to snap in or out.

The doors are tested for sound transmission according to the standard ČSN EN ISO 717-1.



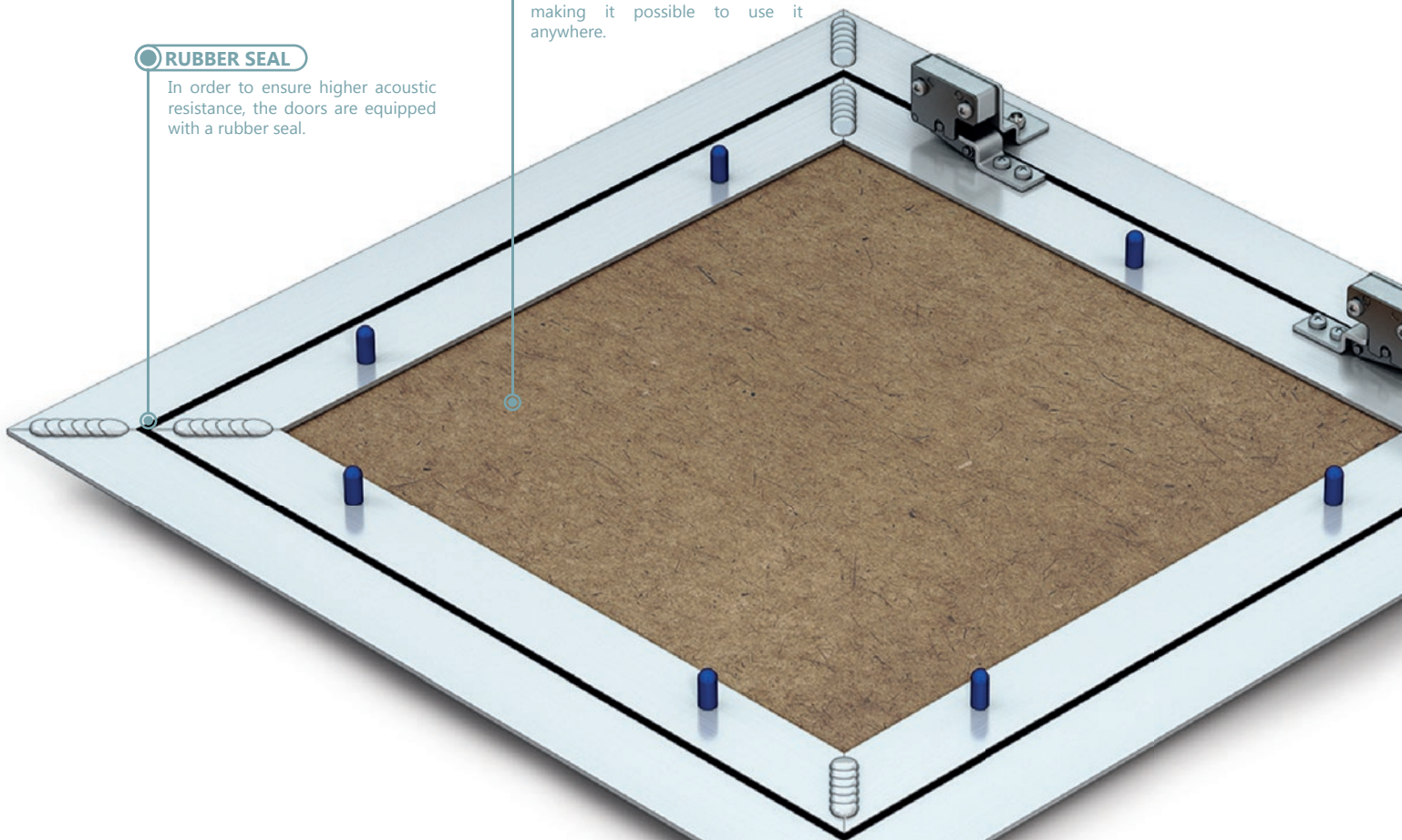
Wall	Ceiling	Masonry	Push	Acoustic
Minimum size 200 mm x 200 mm		Maximum size 900 mm x 900 mm		

ACOUSTIC BOARD

The blue diamond plate provides increased sound insulation. It also meets the requirements of impregnation for humid environments and fire resistance, making it possible to use it anywhere.

RUBBER SEAL

In order to ensure higher acoustic resistance, the doors are equipped with a rubber seal.



Although the outer frame is designed for installation into plasterboard the certification is also valid for installation into a brick wall.

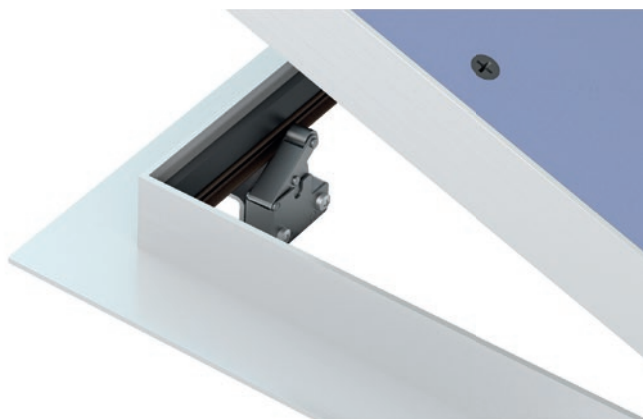
Possible options upon customer request:

- Removable version
- Lock with square key instead of push-button
- Safety cable
- Production of non-standard sizes
- Larger than maximum size on request



Blue acoustic board

Order no.	Article name (A1 x A2)	Weight	Installation size			Clear opening		Height	
			C1	C2	L	H	A2	T	V
TMD-3631	RDSa 200x200x25 US acoustic -34dB	1,69 kg	204	204	25,5	137	192	25,5	56
TMD-5182	RDSa 200x300x25 US acoustic -34dB	2,32 kg	204	304	25,5	137	292	25,5	56
TMD-3630	RDSa 300x300x25 US acoustic -34dB	3,20 kg	304	304	25,5	237	292	25,5	56
TMD-5180	RDSa 300x400x25 US acoustic -34dB	4,09 kg	304	404	25,5	237	392	25,5	56
TMD-5179	RDSa 300x600x25 US acoustic -34dB	5,86 kg	304	604	25,5	237	592	25,5	56
TMD-3632	RDSa 400x400x25 US acoustic -34dB	5,23 kg	404	404	25,5	337	392	25,5	56
TMD-5181	RDSa 400x600x25 US acoustic -34dB	7,51 kg	404	604	25,5	337	592	25,5	56
TMD-3633	RDSa 500x500x25 US acoustic -34dB	7,77 kg	504	504	25,5	437	492	25,5	56
TMD-3629	RDSa 600x600x25 US acoustic -34dB	10,82 kg	604	604	25,5	537	592	25,5	56
TMD-3998	RDSa 700x700x25 US acoustic -34dB	14,39 kg	704	704	25,5	637	692	25,5	56



* The color of the seal is for illustration purposes only. The actual color may vary.

WELDED ALUMINUM INSPECTION DOORS

MASONRY 12.5 mm

push lock, fixed hinges, for brick wall

The doors are made of aluminum profiles that are welded into an outer and inner frame. The complete assembly is connected by a fixed hinge and allows for opening the door leaf if necessary. In addition mounting brackets are riveted to the outer frame.



In the standard version, this model is produced with a thickness of 12.5mm, with a white, green or red board attached to the inner frames with self-tapping screws.

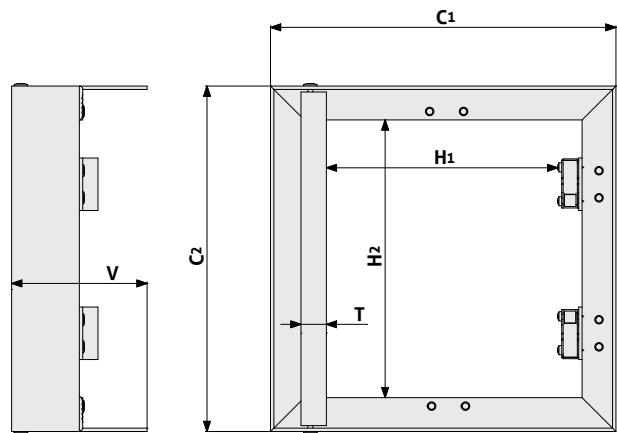
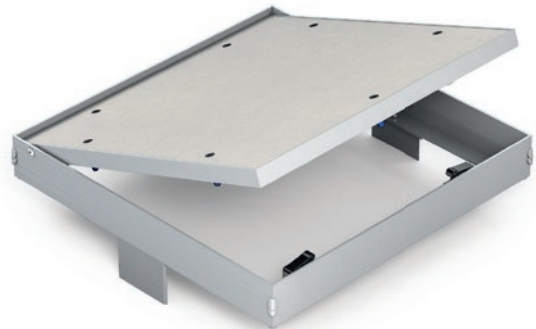
Main advantages of the model:

- **Welded frames**
- **Easy-to-open push lock**
- **Outer frame made of 40 x 20 x 2 mm profile**
- **Extended mounting brackets (can also be supplied without brackets)**
- **Firmly anchored inner leaf**

Comfortable opening and closing is ensured by push-type US locks located on the outer frame. Pressing on the plate of the inner frame at the lock position causes the latch to snap in or out.

Installation into a brick wall is carried out using nail plugs through the mounting brackets or secured with mounting foam. It is also possible to secure it through the outer door frame.

 Masonry	 Push
Minimum size 150 mm x 150 mm	Maximum size 1000 mm x 2000 mm

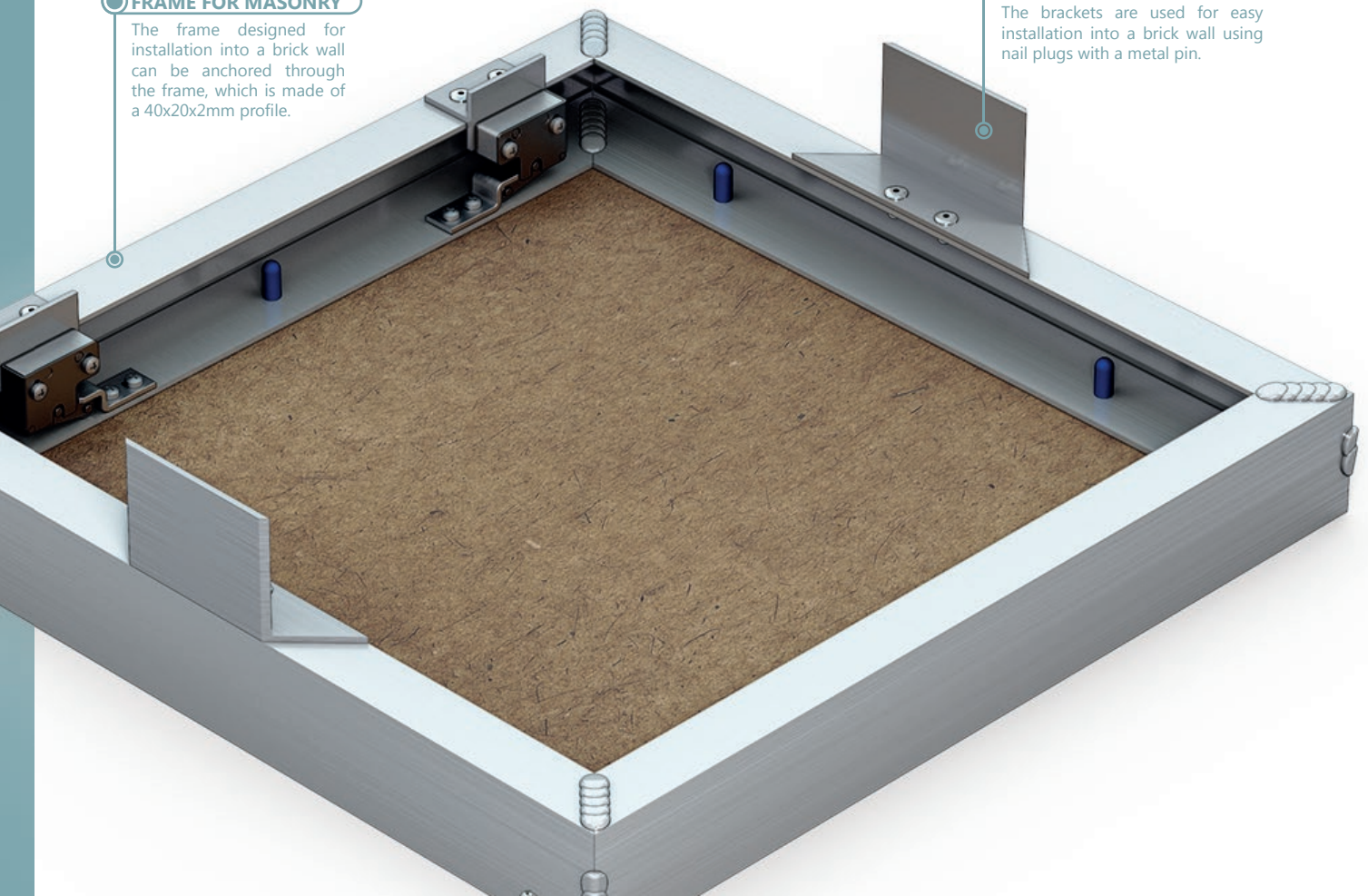


FRAME FOR MASONRY

The frame designed for installation into a brick wall can be anchored through the frame, which is made of a 40x20x2mm profile.

MOUNTING BRACKETS

The brackets are used for easy installation into a brick wall using nail plugs with a metal pin.



Another possible variant of these doors is a design with a removable inner frame. This allows for a larger clear passage through the door.

Possible customer options upon request:

- Different thickness of the inner frame or panel (GKF, GKFi, acoustic, perforated...)
- Removable version
- Safety cable
- Possibility of delivery without board
- Production of non-standard dimensions
- Double-leaf version
- Ceramic tile (see pages 72-75)



White board GKB for dry environment

Order no.	Article name (C1 x C2)	Weight	Installation size		Clear opening		Height	
			A1	A2	H1	H2	T	V
TMD-3402	RDSz 200x200x12.5 GKB US masonry	1,00 kg	200	200	128	160	15	80
TMD-3943	RDSz 200x300x12.5 GKB US masonry	1,29 kg	200	300	128	260	15	80
TMD-3404	RDSz 300x300x12.5 GKB US masonry	1,68 kg	300	300	228	260	15	80
TMD-3976	RDSz 300x400x12.5 GKB US masonry	2,06 kg	400	400	228	360	15	80
TMD-4693	RDSz 300x600x12.5 GKB US masonry	2,82 kg	600	600	228	560	15	80
TMD-3405	RDSz 400x400x12.5 GKB US masonry	2,53 kg	400	400	328	360	15	80
TMD-3944	RDSz 400x600x12.5 GKB US masonry	3,48 kg	400	600	328	560	15	80
TMD-3406	RDSz 500x500x12.5 GKB US masonry	3,57 kg	500	500	428	460	15	80
TMD-3407	RDSz 600x600x12.5 GKB US masonry	4,80 kg	600	600	528	560	15	80
TMD-3615	RDSz 700x700x12.5 GKB US masonry	6,21 kg	700	700	628	660	15	80

Green board GKBi – impregnated for wet environment

Order no.	Article name (C1 x C2)	Weight	Installation size		Clear opening		Height	
			A1	A2	H1	H2	T	V
TMD-2479	RDSz 200x200x12.5 GKBi US masonry	1,02 kg	200	200	128	160	15	80
TMD-2016	RDSz 200x300x12.5 GKBi US masonry	1,31 kg	200	300	128	260	15	80
TMD-2849	RDSz 300x300x12.5 GKBi US masonry	1,70 kg	300	300	228	260	15	80
TMD-1468	RDSz 300x400x12.5 GKBi US masonry	2,10 kg	300	400	228	360	15	80
TMD-2636	RDSz 300x600x12.5 GKBi US masonry	2,88 kg	300	600	228	560	15	80
TMD-2545	RDSz 400x400x12.5 GKBi US masonry	2,58 kg	400	400	328	360	15	80
TMD-2233	RDSz 400x600x12.5 GKBi US masonry	3,56 kg	400	600	328	560	15	80
TMD-2180	RDSz 500x500x12.5 GKBi US masonry	3,65 kg	500	500	428	460	15	80
TMD-2351	RDSz 600x600x12.5 GKBi US masonry	4,91 kg	600	600	528	560	15	80
TMD-2764	RDSz 700x700x12.5 GKBi US masonry	6,36 kg	700	700	628	660	15	80

WELDED ALUMINUM INSPECTION DOORS

MASONRY AIR-TIGHT 12.5 mm

push lock, adjusted hinges, for brick wall, rubber seal



These doors are made of special aluminum profiles that are welded into an outer and inner frame. The complete assembly is connected by a fixed hinge, which allows the door to be opened when necessary. Mounting brackets are additionally attached to the outer frame.



The inner frame of the door is fitted with a rubber seal* to prevent air from passing through. In the standard version this model is manufactured with a white, green, or red board which is fixed to the inner frame using self-tapping screws.

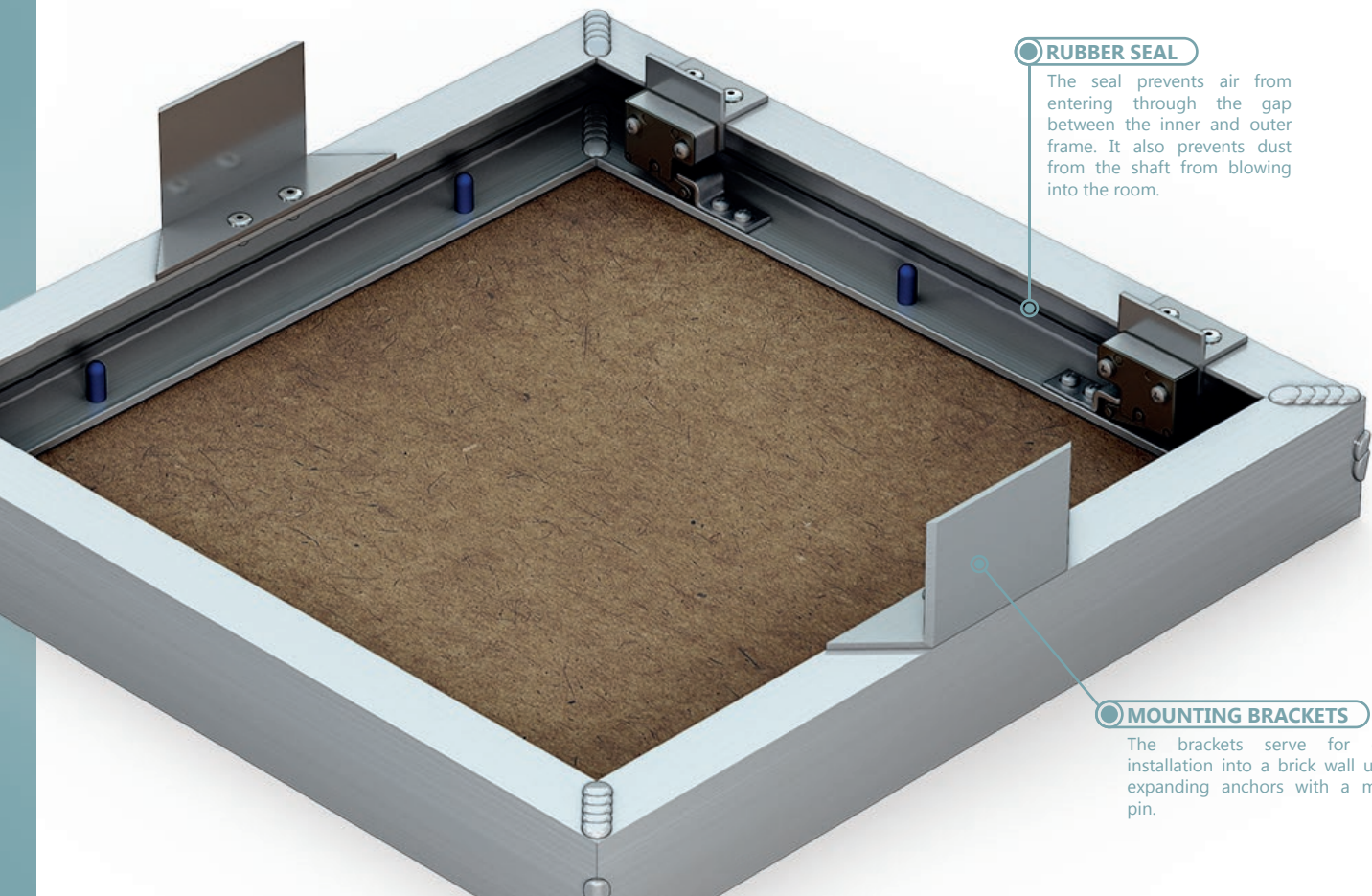
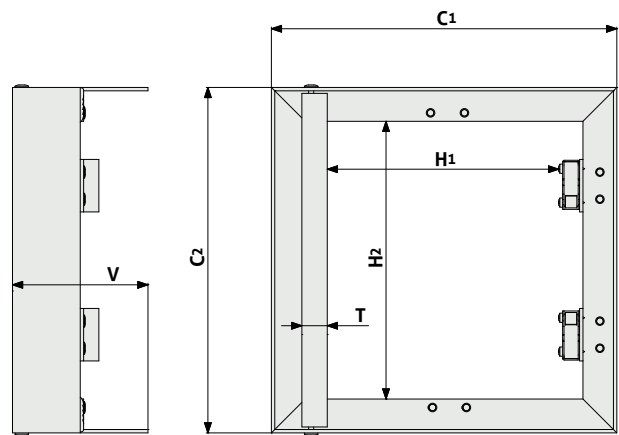
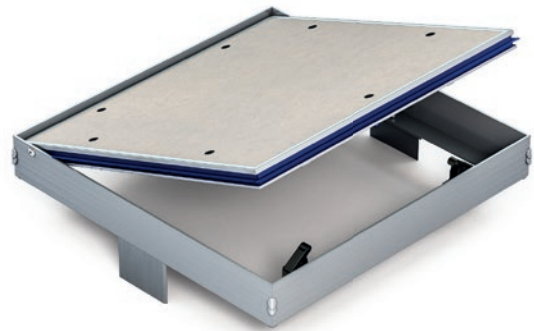
The main advantages of this model are:

- **Welded frames**
- **Easy-to-operate push lock**
- **Outer frame made of 40 x 20 x 2 mm profile**
- **Extended mounting brackets**
- **Firmly anchored inner leaf**
- **Rubber seal tested for air tightness**

Convenient opening and closing is ensured by push-button US locks located on the outer frame. Pressing on the board of the inner frame at the lock position will release or engage the latch.

The doors have been tested for air tightness in category 4 according to the ČSN EN 1026 standard. If this standard is required, a lock on a square key is additionally placed in the center between the push locks. This type of door is only available in a single-wing variant.

 Masonry	 Push	 Air-tight	 Dust
Minimum size 150 mm x 150 mm		Maximum size 1000 mm x 1000 mm	



RUBBER SEAL

The seal prevents air from entering through the gap between the inner and outer frame. It also prevents dust from the shaft from blowing into the room.

MOUNTING BRACKETS

The brackets serve for easy installation into a brick wall using expanding anchors with a metal pin.

White board GKB for dry environment

Order no.	Article name (C1 x C2)	Weight	Installation size		Clear opening		Height	
			A1	A2	H1	H2	T	V
TMD-3585	RDSzt 200x200x12.5 GKB US masonry, air-tight	0,98 kg	200	200	127	160	16	80
TMD-2790	RDSzt 200x300x12.5 GKB US masonry, air-tight	1,27 kg	200	300	127	260	16	80
TMD-3586	RDSzt 300x300x12.5 GKB US masonry, air-tight	1,64 kg	300	300	227	260	16	80
TMD-5033	RDSzt 300x400x12.5 GKB US masonry, air-tight	2,02 kg	300	400	227	360	16	80
TMD-2866	RDSzt 300x600x12.5 GKB US masonry, air-tight	2,77 kg	300	600	227	560	16	80
TMD-3587	RDSzt 400x400x12.5 GKB US masonry, air-tight	2,49 kg	400	400	327	360	16	80
TMD-5034	RDSzt 400x600x12.5 GKB US masonry, air-tight	3,42 kg	400	600	327	560	16	80
TMD-3588	RDSzt 500x500x12.5 GKB US masonry, air-tight	3,51 kg	500	500	427	460	16	80
TMD-3589	RDSzt 600x600x12.5 GKB US masonry, air-tight	4,72 kg	600	600	527	560	16	80
TMD-0875	RDSzt 700x700x12.5 GKB US masonry, air-tight	6,12 kg	700	700	627	660	16	80

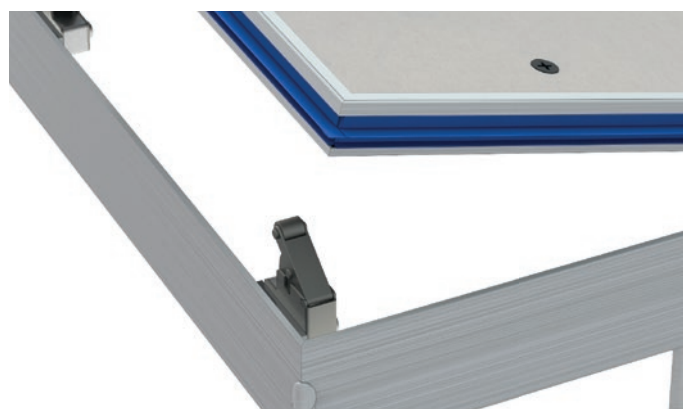
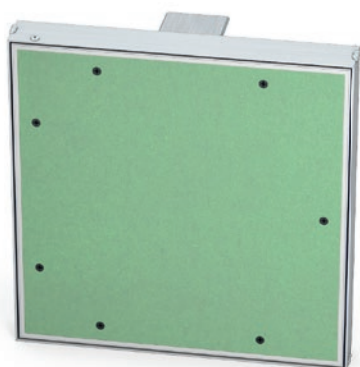
Possible customer options:

- Different 12.5 mm board (GKF, GKFi, blue acoustic, perforated...)
- Removable version
- Safety cable
- Possibility of delivery without board
- Production of atypical dimensions
- Possibility of ceramic tile (see page 72)
- Double-winged version (without certification)
- Production of larger sizes on demand

Rooms with high humidity levels, such as bathrooms or toilets, require the use of a more resistant green board, which contains an impregnated layer.

Green board GKBi – impregnated for wet environment

Order no.	Article name (C1 x C2)	Weight	Installation size		Clear opening		Height	
			A1	A2	H1	H2	T	V
TMD-1204	RDSzt 200x200x12.5 GKBi US masonry, air-tight	1,00 kg	200	200	127	160	16	80
TMD-1615	RDSzt 200x300x12.5 GKBi US masonry, air-tight	1,29 kg	200	300	127	260	16	80
TMD-1472	RDSzt 300x300x12.5 GKBi US masonry, air-tight	1,67 kg	300	300	227	260	16	80
TMD-2368	RDSzt 300x400x12.5 GKBi US masonry, air-tight	2,06 kg	300	400	227	360	16	80
TMD-2589	RDSzt 300x600x12.5 GKBi US masonry, air-tight	2,83 kg	300	600	227	560	16	80
TMD-3063	RDSzt 400x400x12.5 GKBi US masonry, air-tight	2,54 kg	400	400	327	360	16	80
TMD-2532	RDSzt 400x600x12.5 GKBi US masonry, air-tight	3,49 kg	400	600	327	560	16	80
TMD-2609	RDSzt 500x500x12.5 GKBi US masonry, air-tight	3,59 kg	500	500	427	460	16	80
TMD-1307	RDSzt 600x600x12.5 GKBi US masonry, air-tight	4,83 kg	600	600	527	560	16	80
TMD-3558	RDSzt 700x700x12.5 GKBi US masonry, air-tight	6,27 kg	700	700	627	660	16	80



* The color of the seal is for illustration purposes only. The actual color may vary.

WELDED ALUMINUM INSPECTION DOORS

MINERAL

push lock, fixed hinges

The doors are made of special aluminum profiles that are welded into an outer and inner frame. The complete assembly is connected by a fixed hinge allowing the door leaf to be opened if necessary.

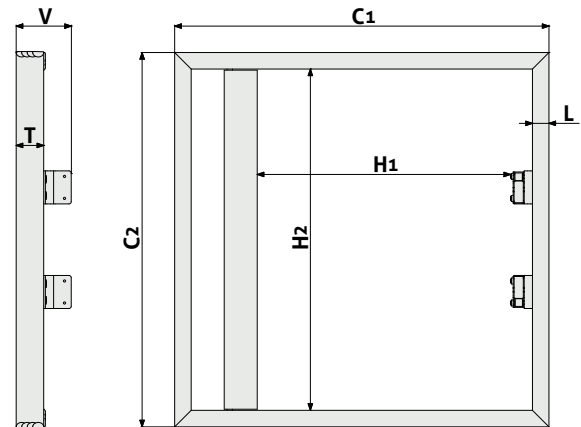
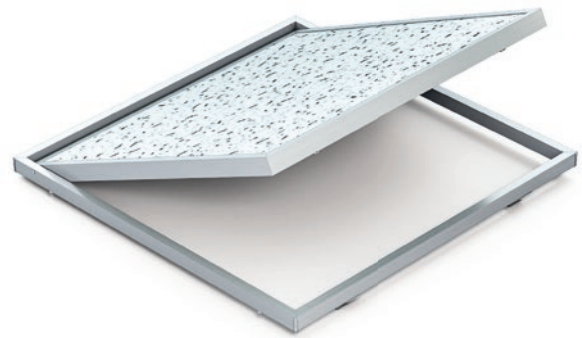
The infill of the inner frame is inserted into the door by the customer according to the surrounding grid after installation. Installation is done by placing it into the grid opening on T-profiles (instead of mineral board). The grid around the door must be hung on quick hangers S10. It is advisable to anchor the door frame from both sides through the mineral profile using screws to prevent the doors from lifting when opening. Large dimensions of this door model must be anchored using wire with a hook to the solid building structure.

Main advantages of the model:

- Welded frames
- Easy-to-operate push lock
- Easy access to the cassette ceiling

Convenient opening and closing is ensured by push-button US locks located on the outer frame. Pressing on the plate of the inner frame at the lock position will cause the latch to snap in or out.

The doors provide easy access to the cassette ceiling without the need to remove individual cassettes. The basic dimensions are produced according to the universal grid size.



Ceiling



Push

Minimum size
300 mm x 300 mm

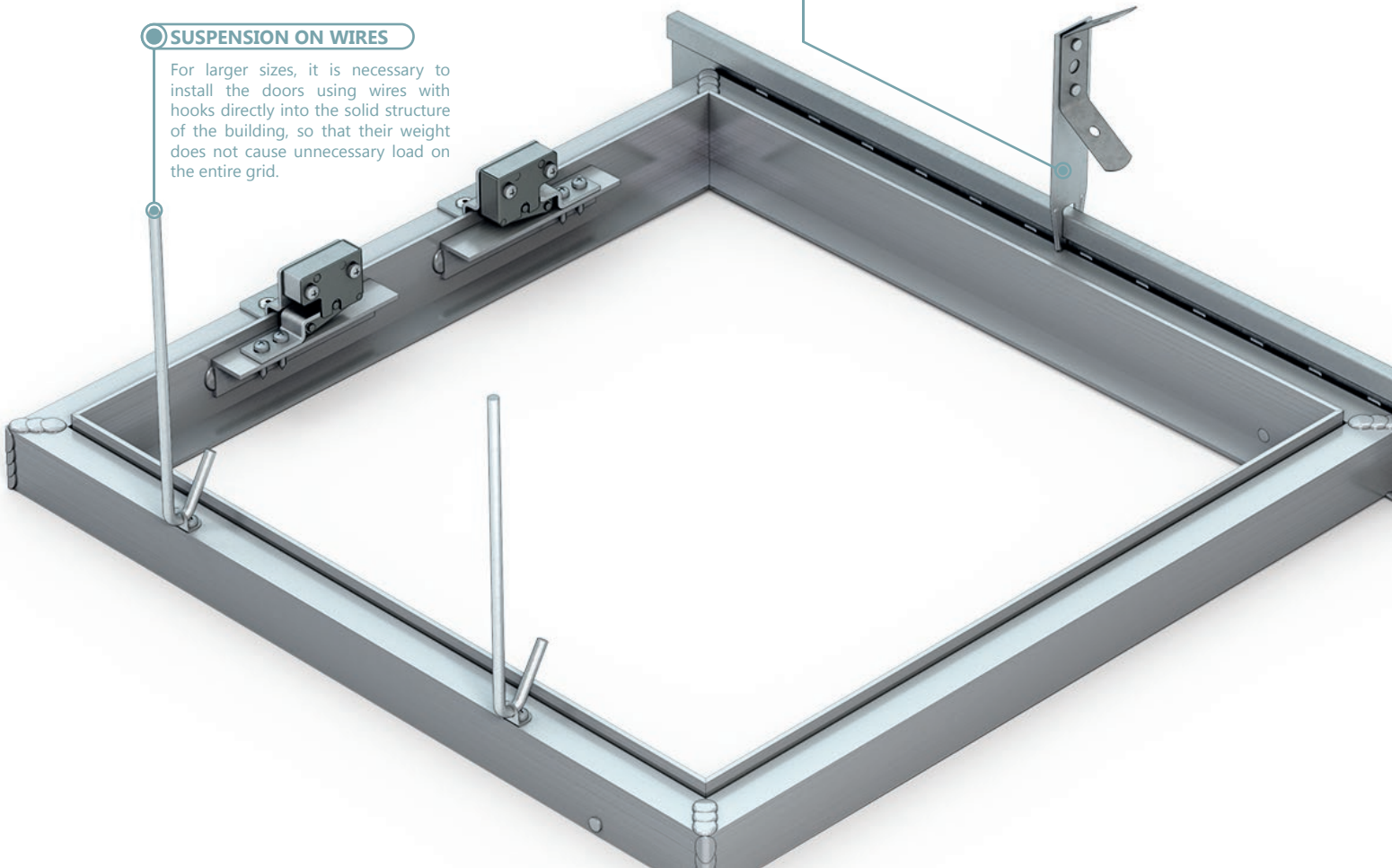
Maximum size
1200 mm x 1200 mm

SUSPENSION ON QUICK HANGERS

Small-sized doors can be placed directly on a T-profile grid, which is anchored to the solid structure of the building using quick-release fasteners.

SUSPENSION ON WIRES

For larger sizes, it is necessary to install the doors using wires with hooks directly into the solid structure of the building, so that their weight does not cause unnecessary load on the entire grid.



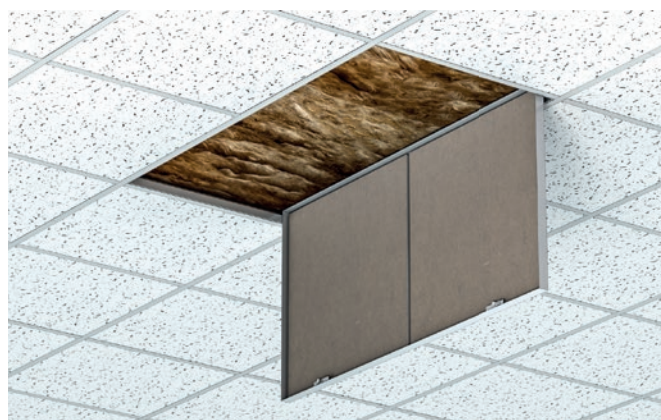
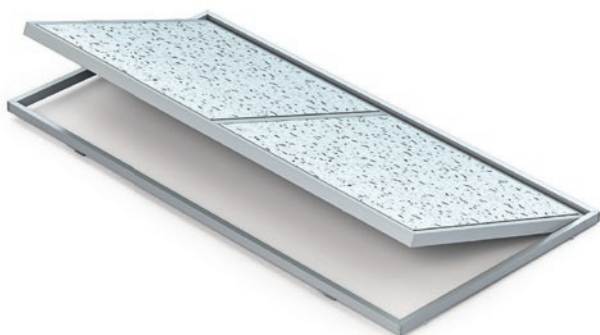
Possible options upon customer's request:

- Safety wire
- Production of non-standard sizes



Without board

Order no.	Article name	Weight	Installation size			Clear opening		Height	
			C1	C2	L	H1	H2	T	V
TMD-1319	RDSm 600x600x12.5 US mineral ceiling	2,29 kg	599	599	15	505	568	25	65
TMD-3273	RDSm 600x1200x12.5 US mineral ceiling	3,28 kg	599	1199	15	505	1168	25	65
TMD-2257	RDSm 1200x1200x12.5 US mineral ceiling	4,26 kg	1199	1199	15	1116	1168	25	65



It is supplied without mineral filling.

WELDED ALUMINUM INSPECTION DOORS

ROUND 12.5 mm

push lock, removable, atypical shape

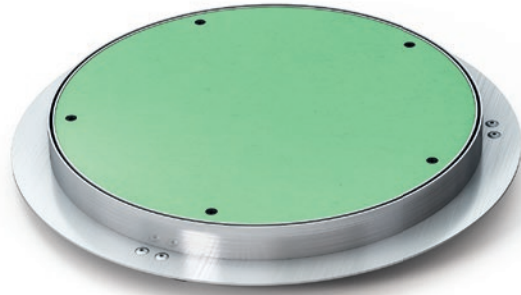
Round doors are made of aluminum sheet and equipped with a plasterboard panel on the inner leaf. The doors can be opened by pressing on the inner leaf, which is secured by US locks and can be completely removed from the frame.

This is a design solution for walls and ceilings with uneven edges, where classic square doors would not be suitable. The door opening can be created, using a drywall circle cutter.

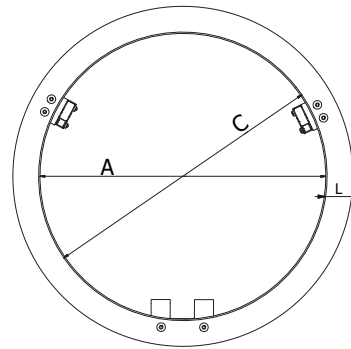
In the standard version, this model is produced with a green panel attached to the inner frame using self-tapping screws.

Main advantages of the model:

- Easy-to-open push-lock
- Design appearance
- Removable variant



Wall	Ceiling	Push
Minimum size 200 mm Ø		Maximum size 600 mm Ø

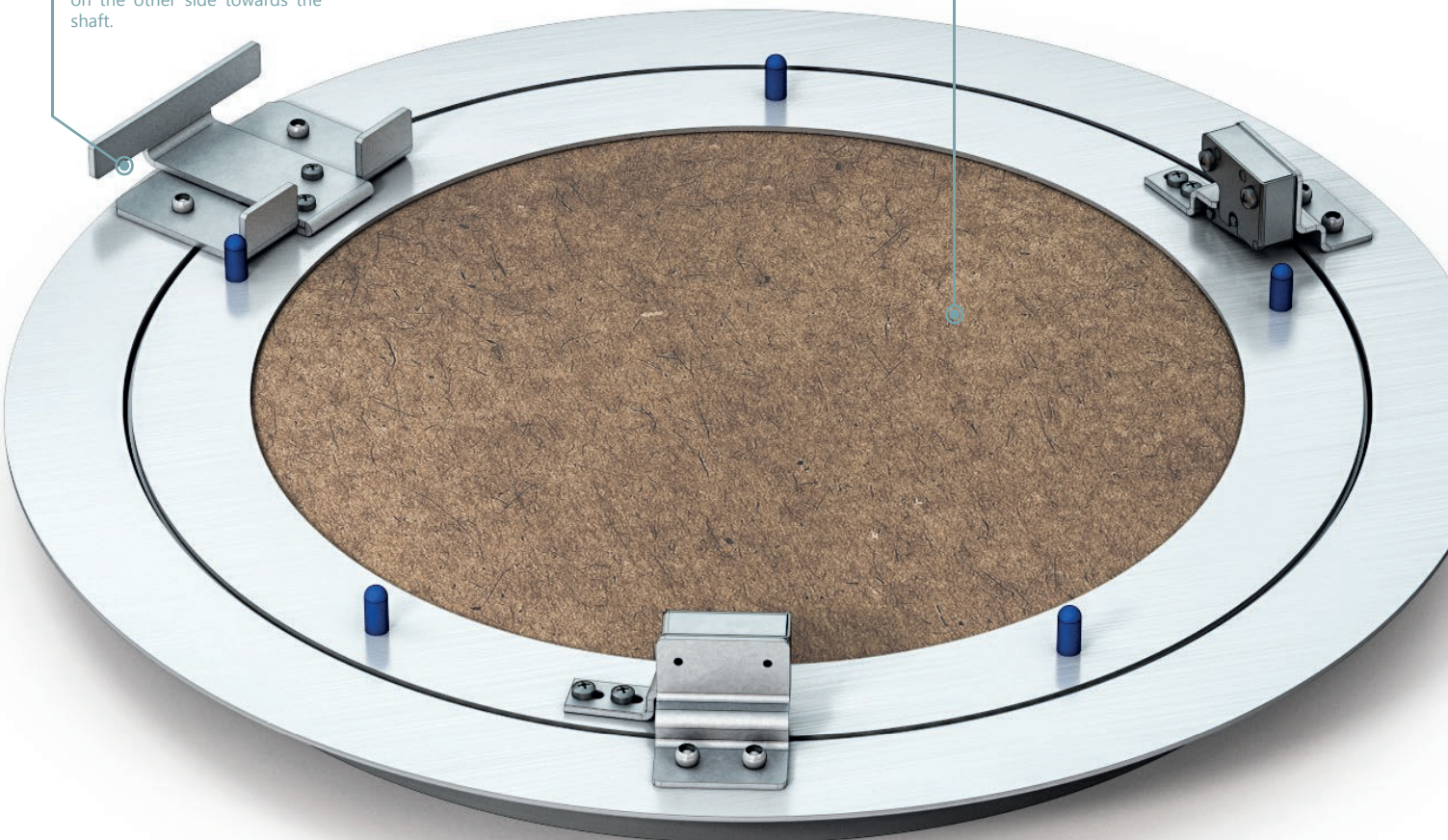


DOORS STOPS

Door stops help to align and push the internal frame into the position for closing. They also prevent the doors from opening on the other side towards the shaft.

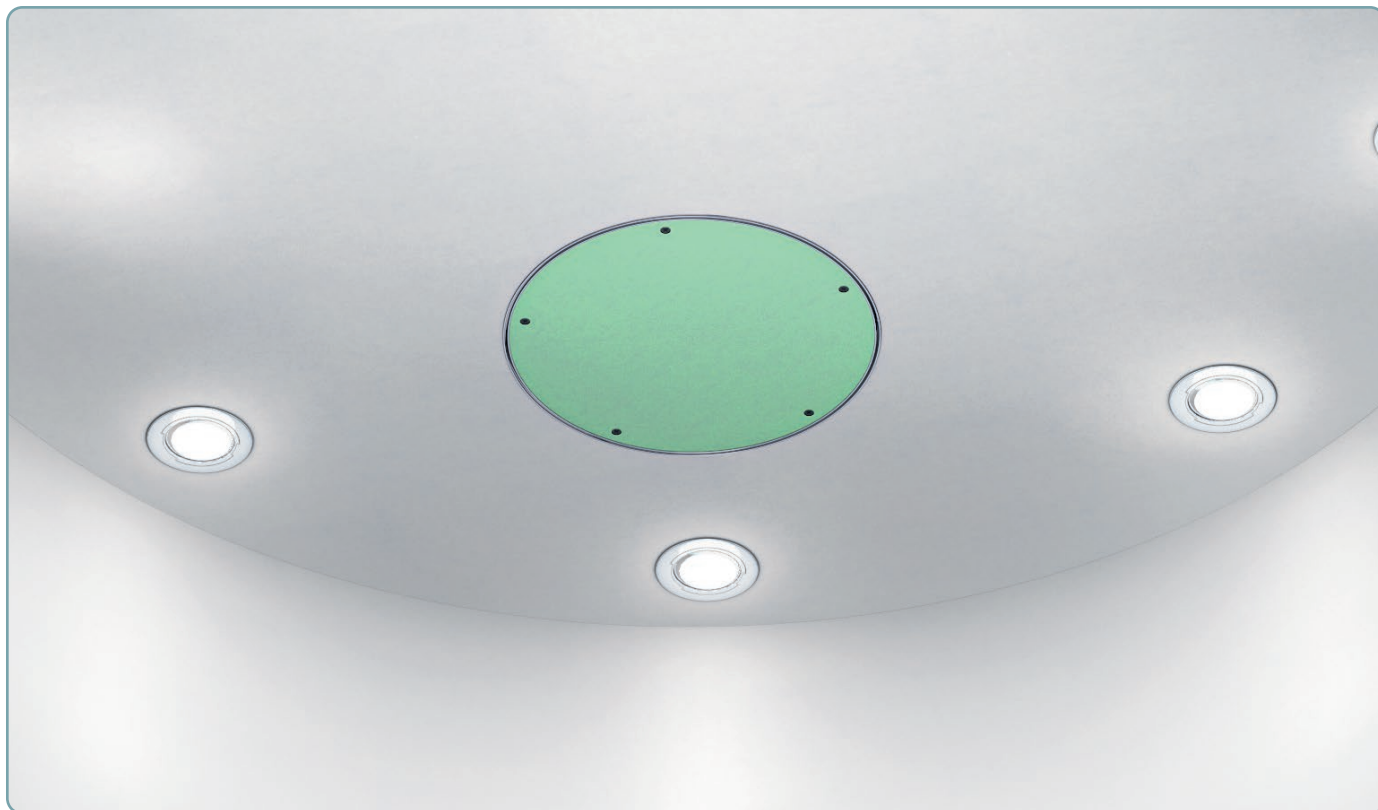
DESIGN SHAPE

This is a design solution for walls and ceilings with uneven edges, where traditional square doors would not be suitable.



Possible customer options:

- Different 12.5 mm board (GKFi, acoustic, perforated...)
- Safety cable
- Option to deliver without board
- Variant in thicknesses of 15 and 25 mm



Green board GKBi – impregnated for wet environment

Order no.	Article name (A1 x A2)	Weight	Installation size		Clear opening		Height	
			L	A	C	T	V	
TMD-5833	RD circular Ø 200x12.5 GKBi US	0,71 kg	27	200	206	13	42	
TMD-5834	RD circular Ø 300x12.5 GKBi US	1,14 kg	27	300	306	13	42	
TMD-5835	RD circular Ø 400x12.5 GKBi US	1,65 kg	27	400	406	13	42	
TMD-5836	RD circular Ø 500x12.5 GKBi US	2,02 kg	27	500	506	13	42	
TMD-5837	RD circular Ø 600x12.5 GKBi US	2,77 kg	27	600	606	13	42	



WELDED ALUMINUM INSPECTION DOORS

FACADE 15 mm

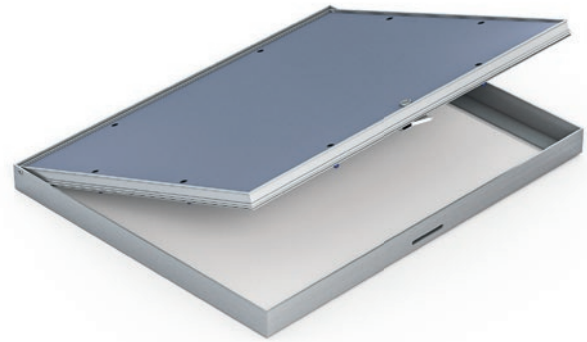
square key, removable, rubber seal




Facade doors are primarily designed for installation into a contact thermal insulation system. They are made of aluminum profiles, and the internal leaf in 15 mm thickness is filled with a 12.5 mm thick cement-bonded particleboard Powerpanel H2O (Fermacell). The internal leaf is secured with a four-sided key lock. The detachable version of the internal leaf from the frame increases the clear opening and makes installation much easier.

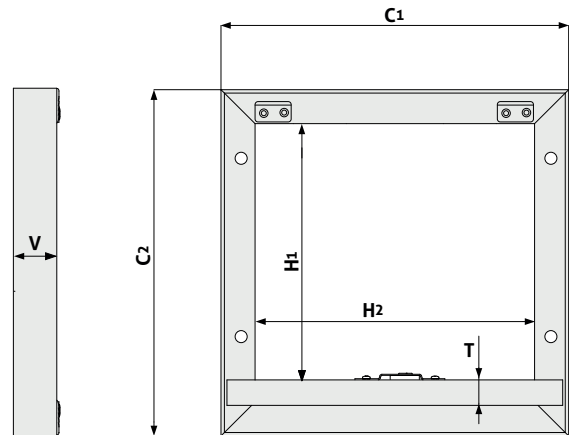
The internal leaf is fitted with a rubber seal, which minimizes water leakage and dust settling when the doors are closed. The detachable leaf also facilitates easier cleaning of the frames after the facade plaster has been stretched. The detachable version of the doors is ensured by a safety cable.

Main advantages of the model:

- Easy installation
- Outdoor use
- Resilient cement-bonded particleboard H2O



 Masonry	 Facade	 Square
Minimum size 200 mm x 200 mm		Maximum size 800 mm x 800 mm

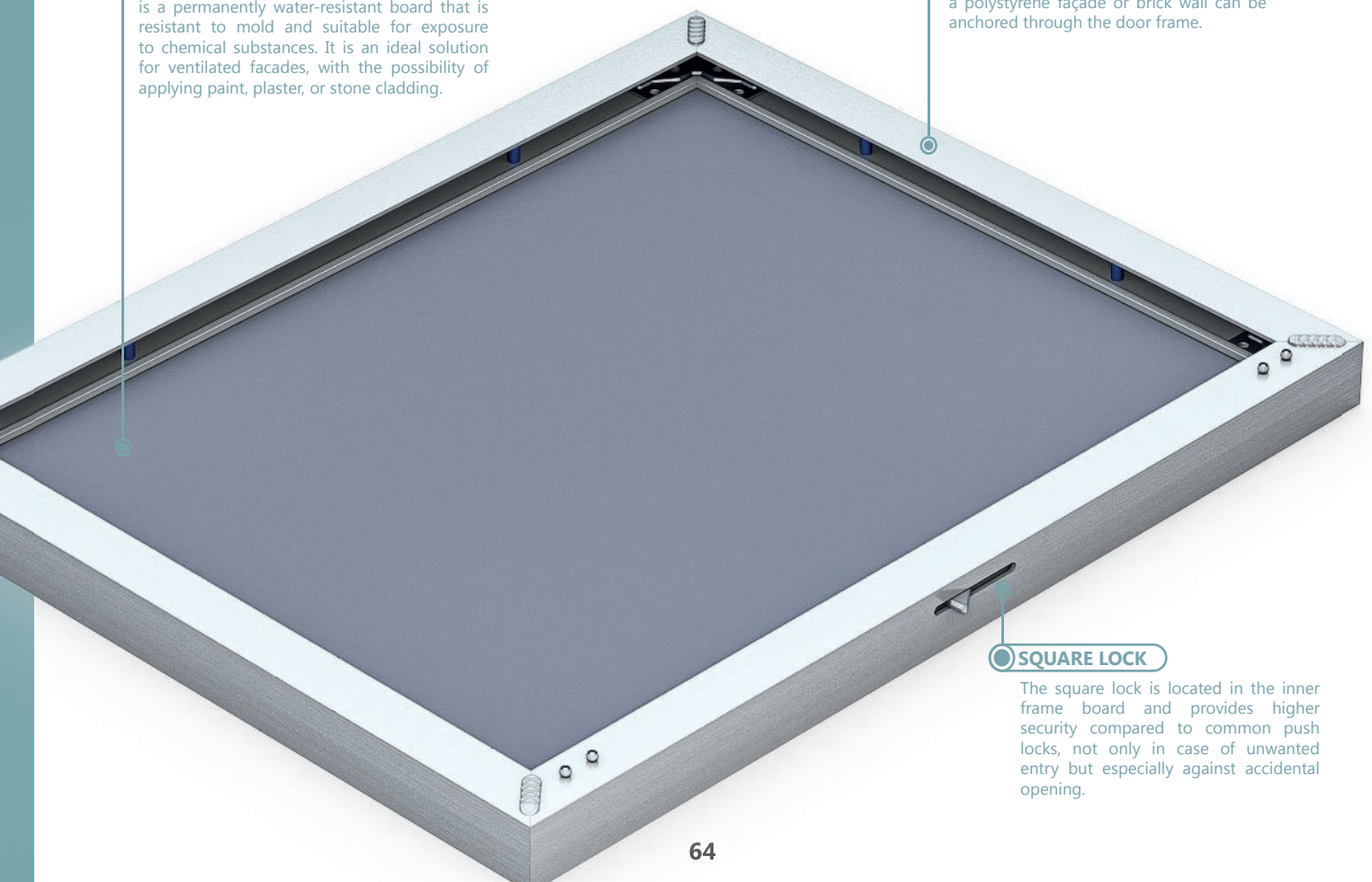


OUTDOOR USE

The durable cement-bonded particleboard H2O is a permanently water-resistant board that is resistant to mold and suitable for exposure to chemical substances. It is an ideal solution for ventilated facades, with the possibility of applying paint, plaster, or stone cladding.

INSTALLATION INTO POLYSTYRENE

The frame designed for installation into a polystyrene façade or brick wall can be anchored through the door frame.

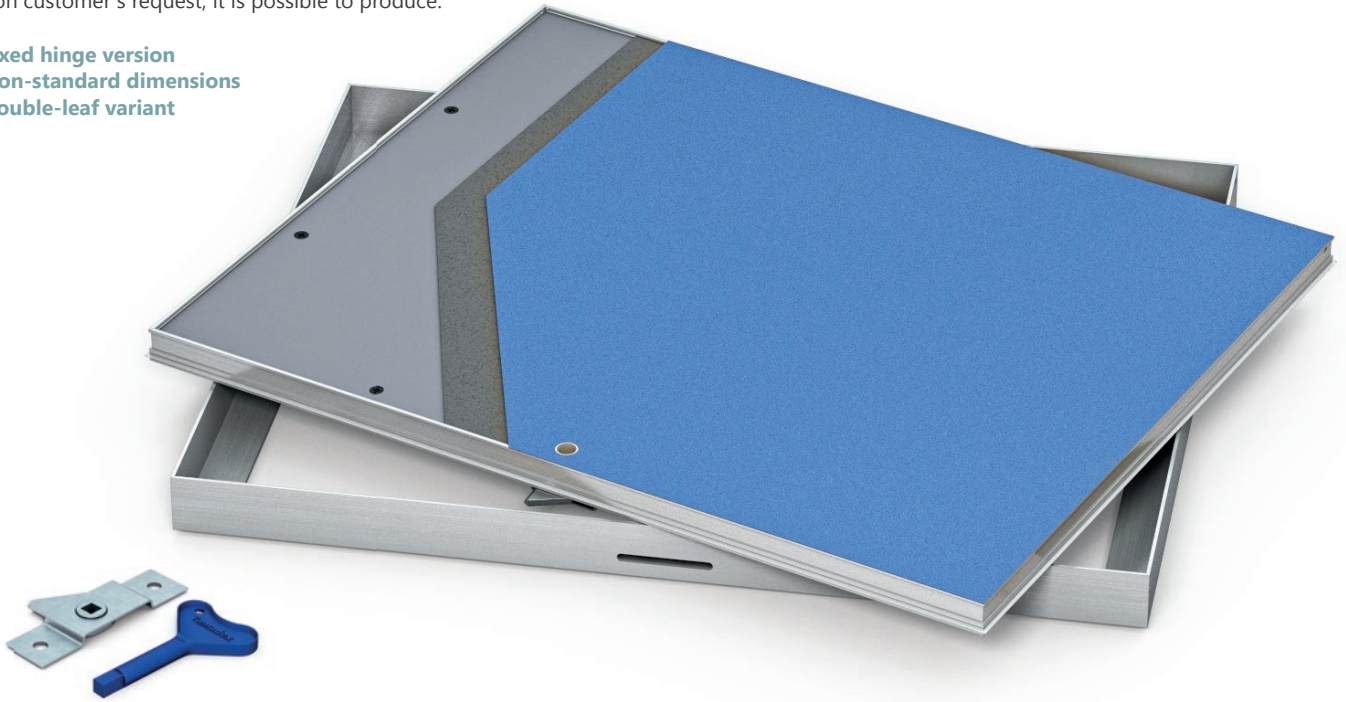


SQUARE LOCK

The square lock is located in the inner frame board and provides higher security compared to common push locks, not only in case of unwanted entry but especially against accidental opening.

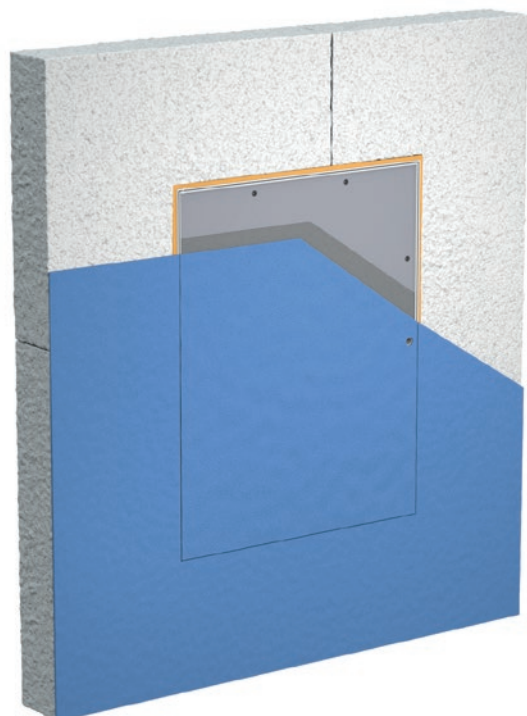
Upon customer's request, it is possible to produce:

- Fixed hinge version
- Non-standard dimensions
- Double-leaf variant



Cementitious fiberboard H20 - suitable for wet and cold environments

Order no.	Article name (C1 x C2)	Weight	Installation size		Clear opening		Height	
			C1	C2	H1	H2	T	V
TMD-6145	RDSf 200x200x15 H2O-12,5mm KL Facade (R)	0,71 kg	200	200	146	146	20	32
TMD-6147	RDSf 300x300x15 H2O-12,5mm KL Facade (R)	1,14 kg	300	300	246	246	20	32
TMD-6148	RDSf 400x400x15 H2O-12,5mm KL Facade (R)	1,65 kg	400	400	346	346	20	32
TMD-6149	RDSf 500x500x15 H2O-12,5mm KL Facade (R)	2,02 kg	500	500	446	446	20	32
TMD-6150	RDSf 600x600x15 H2O-12,5mm KL Facade (R)	2,77 kg	600	600	546	546	20	32



WELDED ALUMINUM INSPECTION DOORS

REINFORCED 12.5 mm

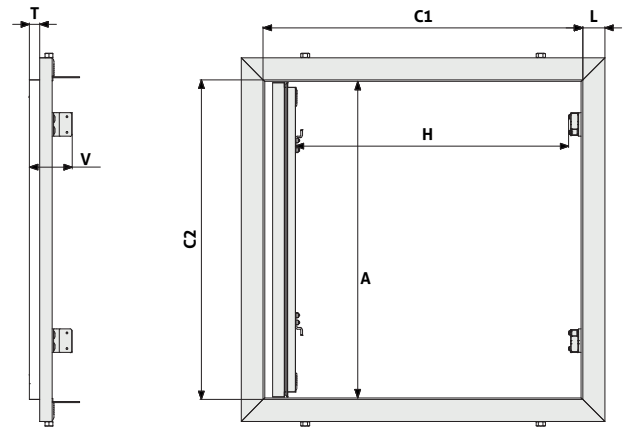
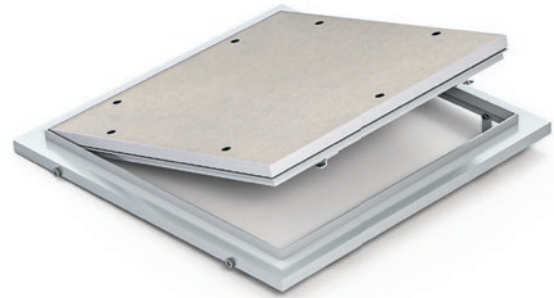
push lock, fixed hinges, reinforced frame





The doors are made of reinforced aluminum profiles that are welded into the outer and inner frame. The complete assembly is connected using a fixed hinge, allowing the door to be opened when necessary. The reinforced profile prevents the frame from bending making it easier to handle during transportation and installation of access doors.

Main advantages of the model:

- **Welded frames**
- **Easy-to-open push-lock**
- **Simple installation**
- **High strength**

Convenient opening and closing is ensured by push-button locks which are located on the outer frame. Pressing on the inner frame plate near the lock causes the latch to snap in or out.



			
Wall	Ceiling	Push	Square
Minimum size wall / ceiling 800 mm x 800 mm		Maximum size wall: 2000 mm x 2000 mm ceiling: 2000 mm x 2500 mm	

• **REINFORCED CEILING-HUNG HINGE**

For larger sizes, the hinges are made of metal pins instead of classic rivets, and both frames are reinforced with steel angles at the hinge points. Oversized dimensions are only available in removable or double-leaf versions.

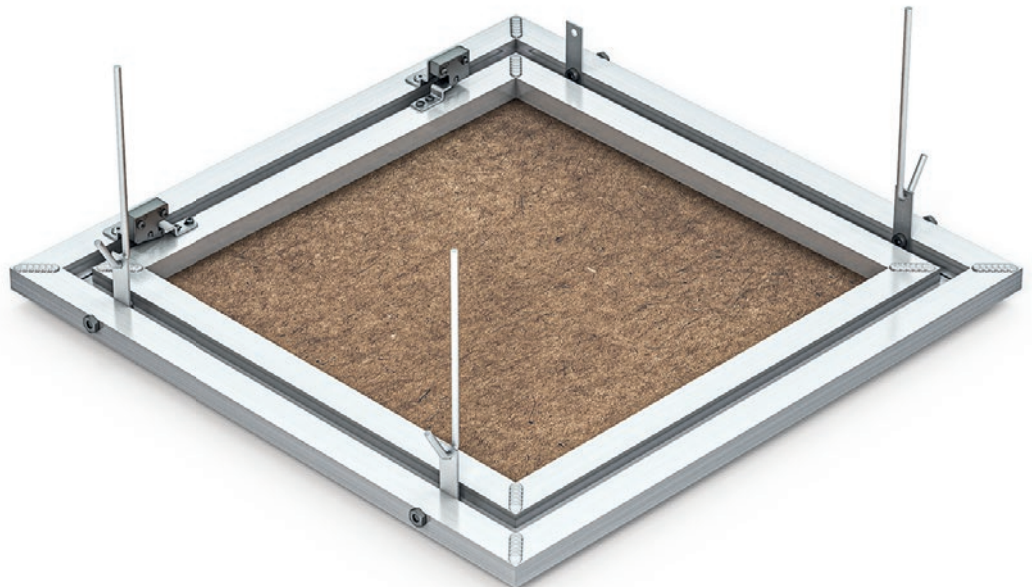
• **REINFORCED REMOVABLE CEILING-HUNG**

For oversized dimensions, the doors are made in a removable variant for safety reasons. This ensures easier installation, where a separate outer frame is first installed, followed by the door leaf, which is then secured with two screws against unintended removal. Due to higher security, oversized doors are equipped with a four-sided key lock. These doors must be anchored not only to the finished suspended ceiling but also to the solid structure of the building using wires.

• **REINFORCED WALL-MOUNTED**

Similar to larger ceiling-hung doors, hinges are made of metal pins instead of classic rivets, and frames are reinforced with steel angles at the hinge points. The doors can also be made as removable or double-leaf.

All details about production, maximum sizes, and suitable door variants are available upon request from the manufacturer.



WELDED ALUMINUM INSPECTION DOORS

WITHOUT BOARD 12.5 mm

push lock, fixed hinges, no panel

The doors are made of aluminum profiles that are welded into the outer and inner frames. The complete assembly is connected by a fixed hinge and allows for opening the door leaf if necessary.

Main advantages of the model:




- **Welded frames**
- **Easy-to-open push lock**
- **Firmly anchored inner leaf**

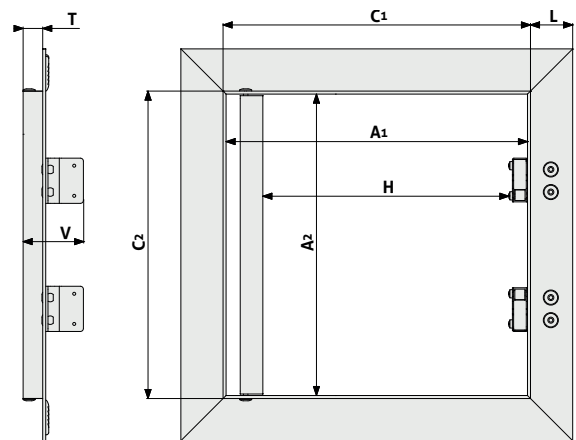
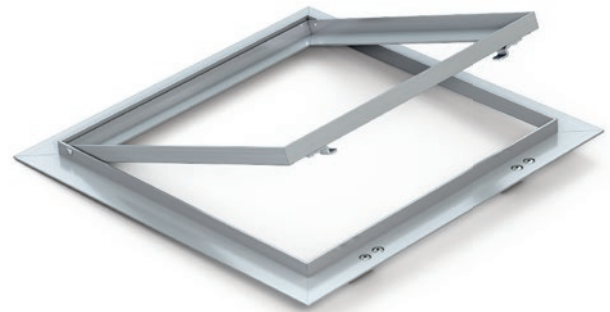
Convenient opening and closing is guaranteed by push-button US locks located on the outer frame. Pushing on the inner frame at the lock position causes the latch to snap or unsnap.

Possible customer options:

- **Removable version**
- **Possibility to produce a pressed instead of welded**
- **Safety cable**
- **Different frame thickness (15, 25, 30 mm)**
- **Production of atypical dimensions**
- **Square key**

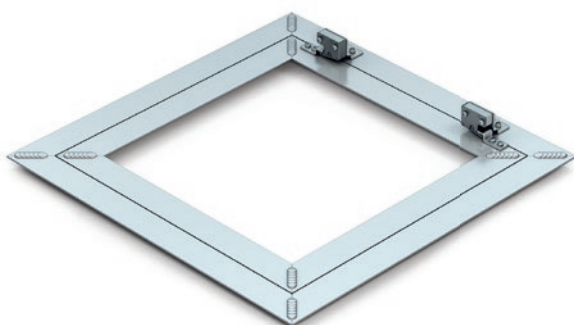
These doors allow the customer to fit a special panel into the frame which is not normally available from the manufacturer.

		
Wall	Ceiling	Push
Minimum size 150 mm x 150 mm		Maximum size Weight dependant



Without board

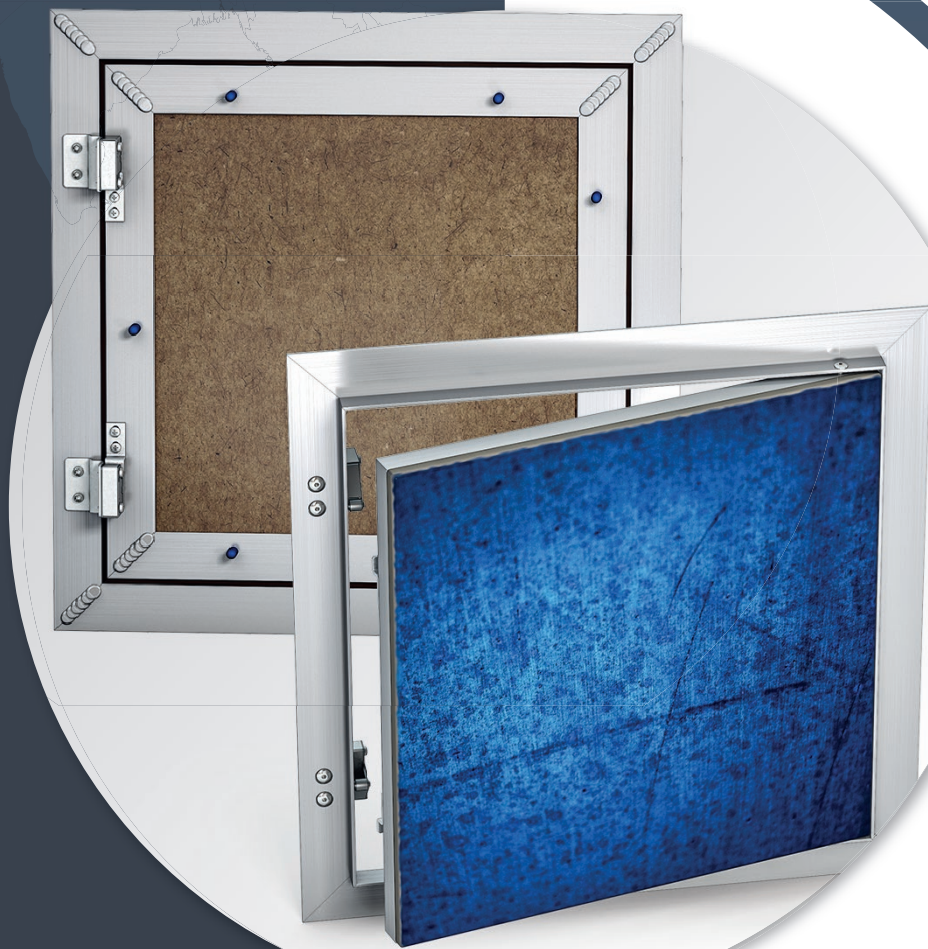
Order no.	Article name (A1 x A2)	Weight	Installation size			Clear opening		Height	
			C1	C2	L	H	A2	T	V
TMD-2857	RDS 200x200x12.5 US (no board)	0,58 kg	204	204	25	149	200	13	42
TMD-2556	RDS 200x300x12.5 US (no board)	0,67 kg	204	304	25	149	300	13	42
TMD-2401	RDS 300x300x12.5 US (no board)	0,76 kg	304	304	25	249	300	13	42
TMD-3160	RDS 300x400x12.5 US (no board)	0,85 kg	304	404	25	249	400	13	42
TMD-4756	RDS 300x600x12.5 US (no board)	1,03 kg	304	604	25	249	600	13	42
TMD-4243	RDS 400x400x12.5 US (no board)	0,94 kg	404	404	25	349	400	13	42
TMD-2940	RDS 400x600x12.5 US (no board)	1,12 kg	404	604	25	349	600	13	42
TMD-3245	RDS 500x500x12.5 US (no board)	1,12 kg	504	504	25	449	500	13	42
TMD-2088	RDS 600x600x12.5 US (no board)	1,30 kg	604	604	25	549	600	13	42
TMD-2892	RDS 700x700x12.5 US (no board)	1,49 kg	704	704	25	649	700	13	42





03

INSPECTION DOORS FOR TILE



CLASSIC US FOR TILE OVER THE FRAME

push lock, fixed hinges, invisible frame

Rooms with increased humidity levels, such as bathrooms or toilets require the use of a more durable green board that contains an impregnated layer. Such doors can also be used for attaching ceramic tiles.

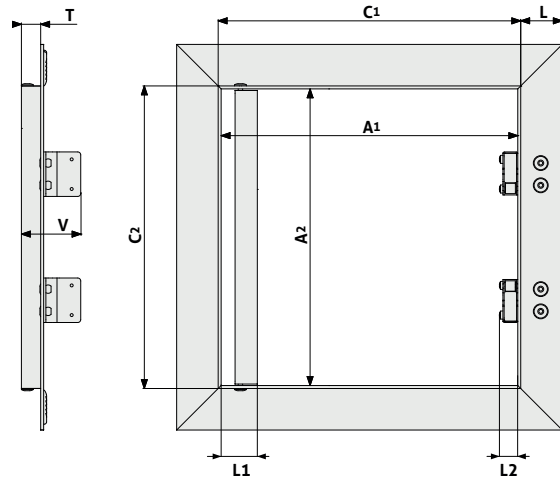
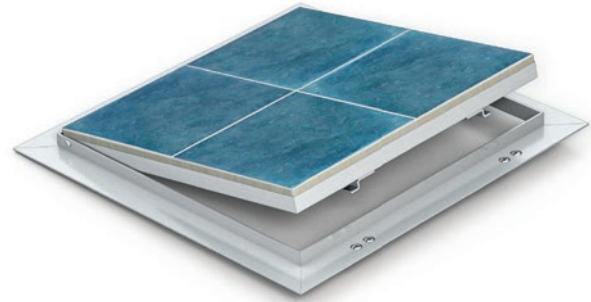
Most access doors can be customized upon request during production (repositioning of hinges) so that the attached tile can cover the aluminum frame, yet the inner frame can still be opened without any problems. This will completely hide the door and the frame will not compromise the aesthetics of the lining.




Main advantages of the model:

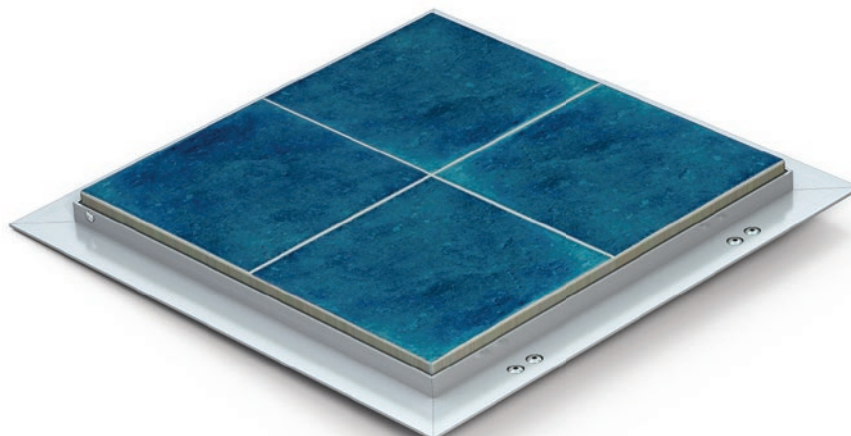
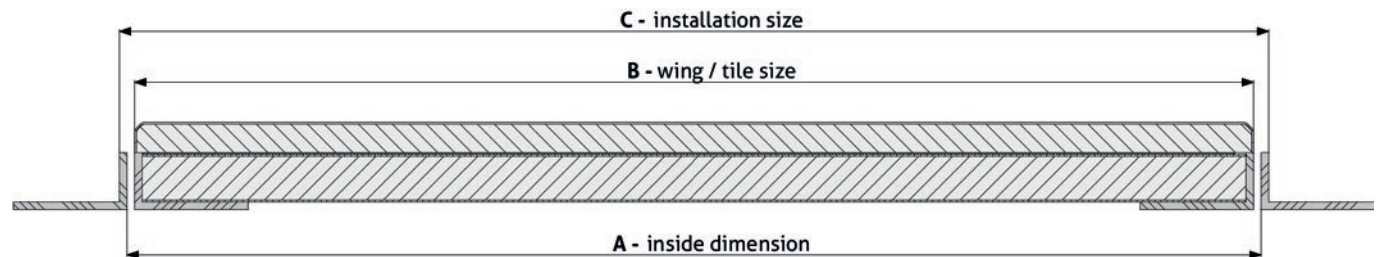
- **Welded frames**
- **Easy-to-open push lock**
- **Ready for ceramic tile**

In case the opening is too small for the desired use, the doors can be made in a removable version or with a recessed tile (see pages 70-71). With removable doors, the opening will remain unchanged after removing the panel, only taking into account the locks and striking plates (14+10 mm) that extend into the opening space.

To ensure proper production of the doors, it is important to specify the thickness of the tile and the adhesive when placing the order. If this information is not provided, a tile thickness of 6 mm and adhesive of 2 mm with elevation „B” will be assumed.



 Wall	 Push	 Tile
Minimum size 150 mm x 150 mm	Maximum size 1000 mm x 1000 mm	



Doors with glued-on tile can strain the hinges, which is why for larger dimensions, the traditional rivets are replaced with pivot hinges made of metal pins, and both frames are reinforced with steel angles at the hinge points. The doors can be made as either removable or double-leafed.

For detailed information on manufacturing, maximum dimensions, and suitable options for these doors, please inquire with the manufacturer.

Possible custom options for the customer:

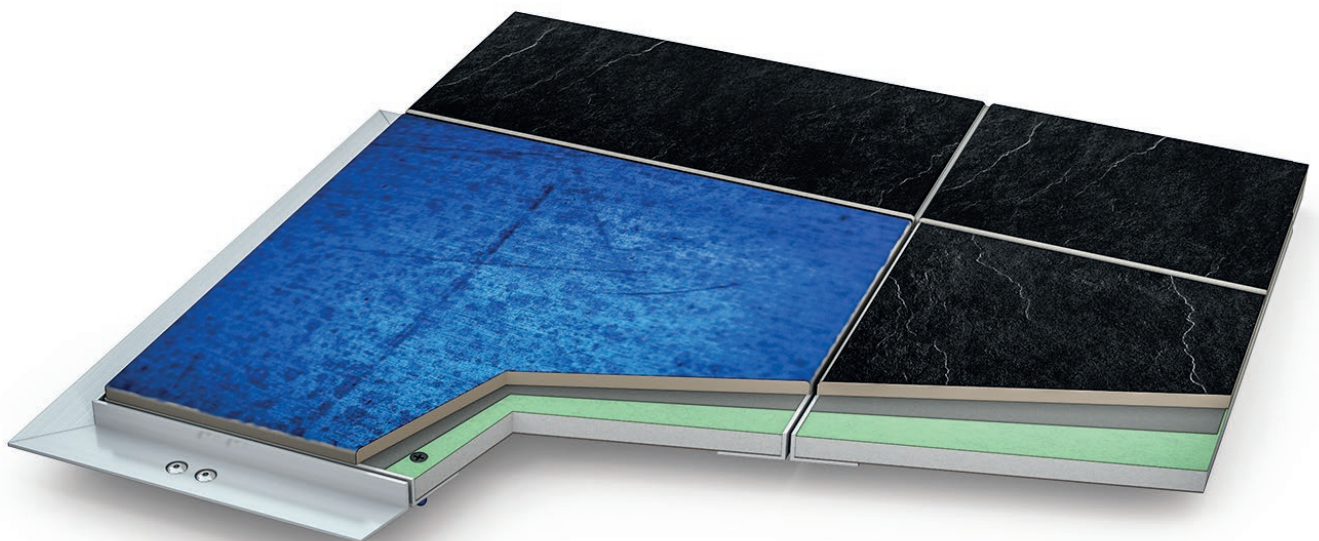
- Custom made to fit the ceramic tile (in 1 mm increments)
- Removable version with a safety cable
- Double-leaf version
- Different lock type (square key)
- Air-tight version (only for 12.5 mm thick doors)
- Different thickness for the door frame (15 or 25 mm) - maximum size upon request
- Installation into the brick wall (see page 72)



Reduction of the clear opening L1 + L2 in millimeters

Thickness of the tile including adhesive	Classic 12,5 a 15 mm	Classic 25 mm	Air-tight 12,5 mm
8 mm	88 mm	98 mm	82 mm
9 mm	100 mm	110 mm	94 mm
10 mm	109 mm	119 mm	103 mm
11 mm	117 mm	127 mm	111 mm
12 mm	126 mm	136 mm	120 mm
13 mm	135 mm	145 mm	129 mm
14 mm	147 mm	157 mm	141 mm
15 mm	156 mm	166 mm	150 mm

Depending on the thickness of the tile, the hinge is moved away from the edge of the frame, resulting in a reduction in the clearance. The height of the door remains unchanged.



Inspection doors are supplied without tile.

CLASSIC US FOR TILE INSIDE THE FRAME

push lock, fixed hinges, visible frame

One of the options for attaching ceramic tile to the door is to embed it in an aluminum frame of the inner leaf. This way, the frame remains visible and flush.

To ensure proper production of the doors, it is important to specify the tile thickness, adhesive thickness, and the correct dimension corresponding to the given measurement when placing the order. If this information is not provided, the default option is with a 10 mm recess and elevation ,B'.




Main advantages of the model:

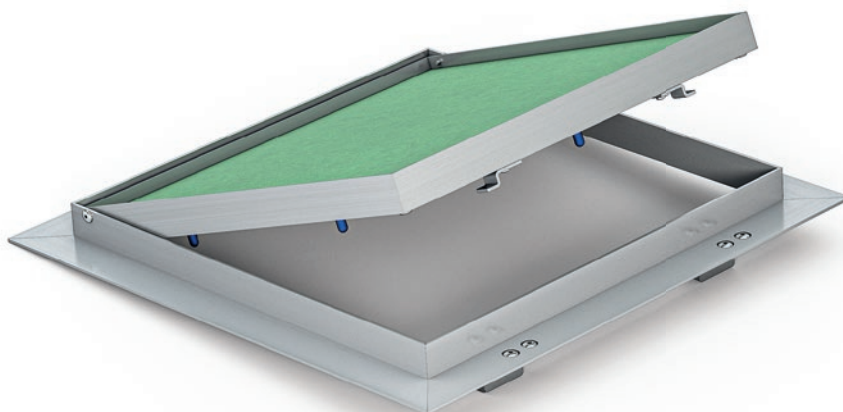
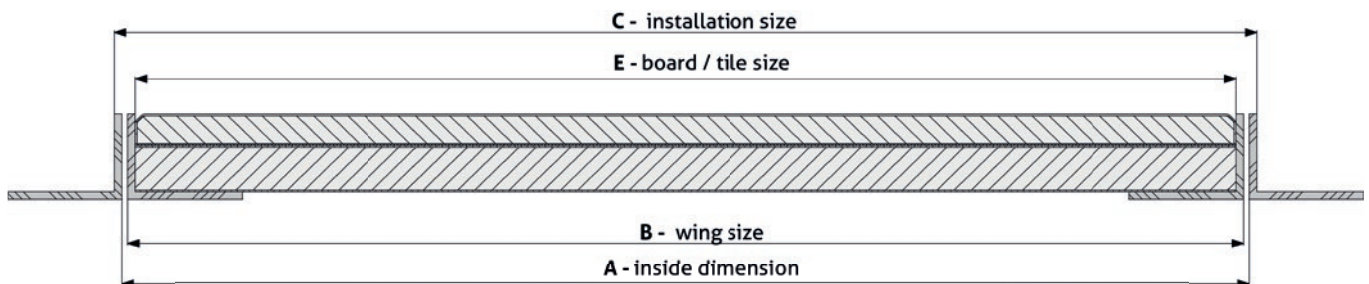
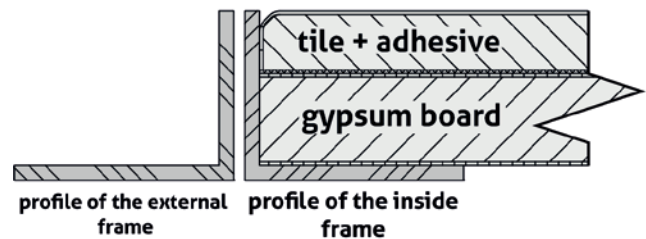
- **Welded frames**
- **Easy-to-open push lock**
- **Ready for ceramic tile**

Manufacturing doors with embedded ceramic tile is specific due to the limited availability of profiles. With standard plasterboard thickness of 12.5mm and aluminum profile thickness of 2 mm, the remaining space for tile can be easily calculated. If the tile does not fit ideally, a higher profile must be used and the frame should be leveled before installation.

Doors can also be made for wall thicknesses of 15 or 25 mm.

Similarly to the option above the frame, doors can also be manufactured for installation in plasterboard or masonry.

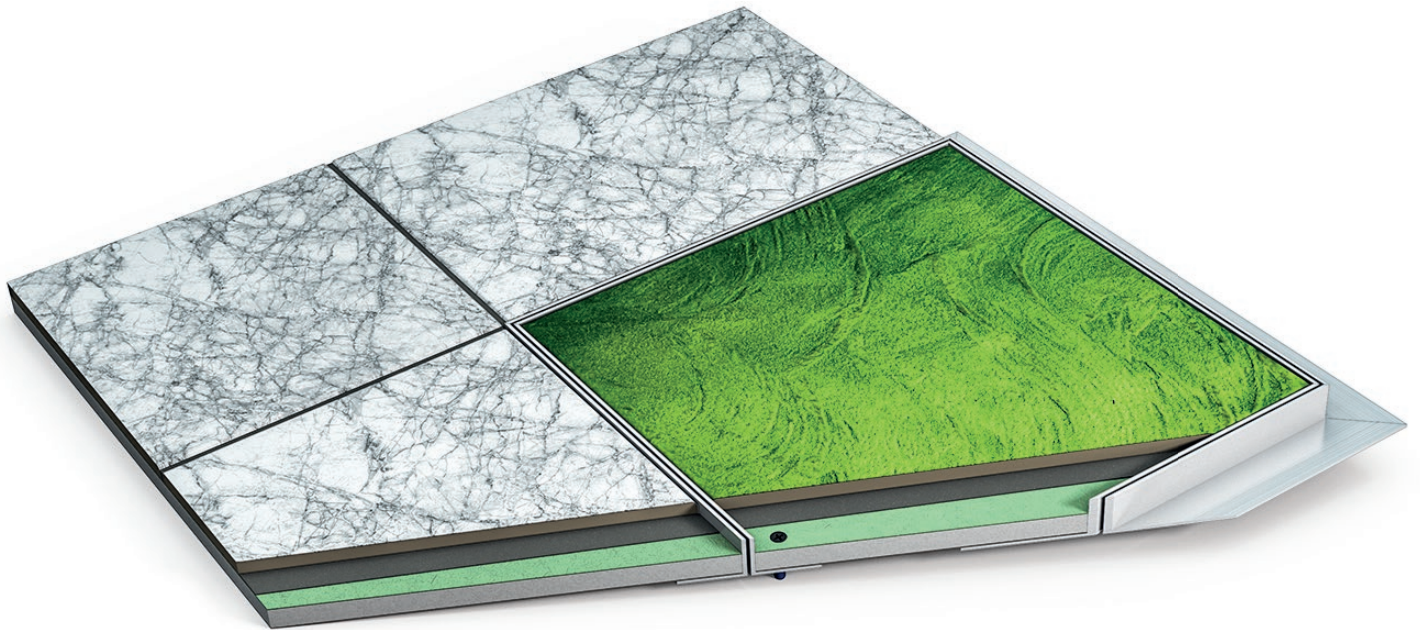
 Wall	 Push	 Tile
Minimum size 150 mm x 150 mm	Maximum size 1000 mm x 1000 mm <small>Maximum thickness of the tile with adhesive of 1 cm.</small>	



All details regarding production, maximum dimensions, and suitable variants of doors are available upon request from the manufacturer.

Possible customer-requested options:

- Custom made to fit the ceramic tile (in 1 mm increments)
- Removable version with a security cable
- Double-leaf version
- Different lock option (square key)
- Different thickness (15 or 25mm) for plasterboard wall



Inspection doors are supplied without tile.

WELDED ALUMINUM INSPECTION DOORS

MASONRY FOR TILE OVER THE FRAME

push lock, offset hinges, frame for masonry, invisible frame

The doors are made of aluminum profiles that are welded into an outer and inner frame. The complete assembly is connected by a fixed hinge allowing the door to be opened if necessary.

The infill of the inner frame is made of a green impregnated board fixed with self-tapping screws. The hinges are offset from the edge and the door leaf is ready for ceramic tiling.

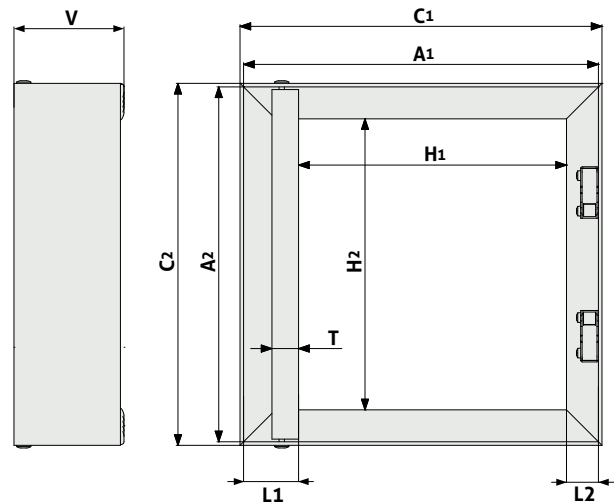
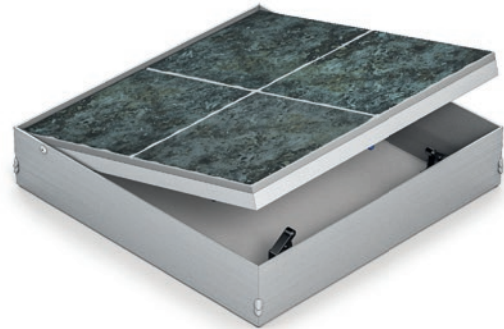
Main advantages of the model:




- **Welded frames**
- **Easily openable push lock**
- **External frame adapted for masonry wall**
- **Ready for ceramic tiling**
- **Firmly anchored inner frame**
- **External frame made of 60 x 20 x 2 mm profile**

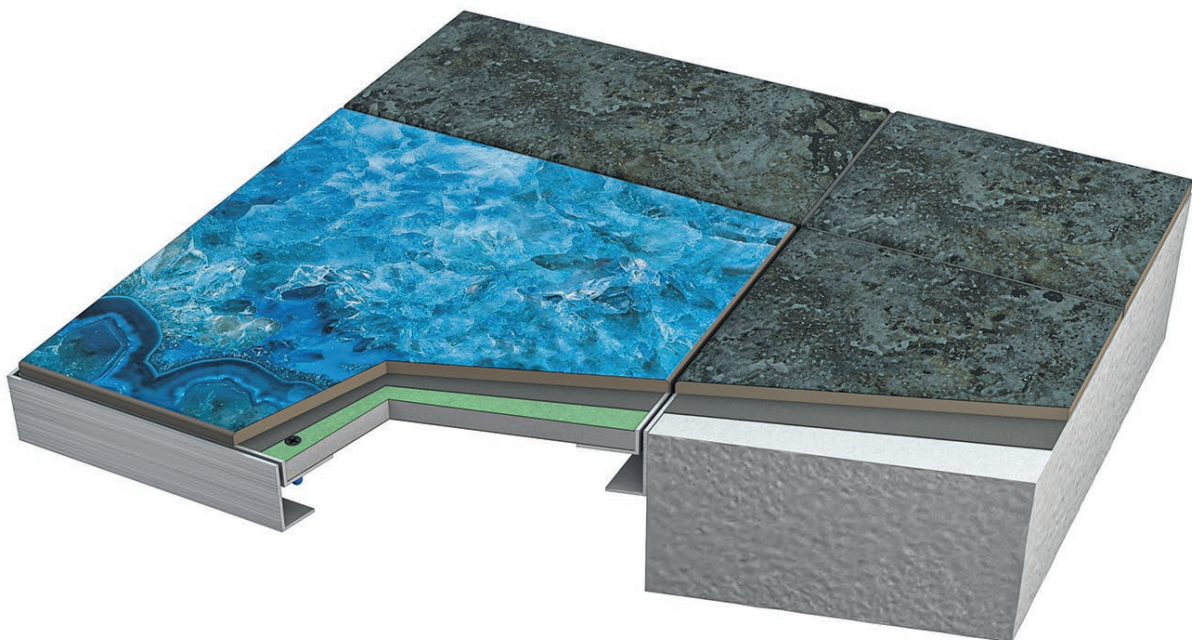
Convenient opening and closing is ensured by push US locks located on the external frame. Pushing on the inner frame plate at the lock position causes the latch to snap in or out.

Installation in a masonry wall is done using anchor bolts through the external frame or mounting foam.

In the standard version, the offset hinges are prepared for tiling with a thickness of 6 mm + 2 mm of adhesive and the given dimension applies to the „B” level (outer dimension of the door leaf).

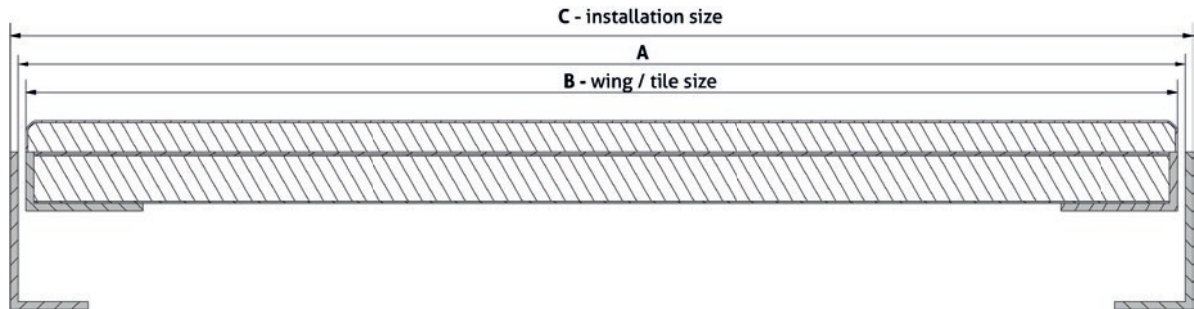


 Masonry	 Push	 Tile
Minimum size 150 mm x 150 mm	Maximum size 900 mm x 900 mm <small>Maximum thickness of the tile with adhesive of 1 cm.</small>	



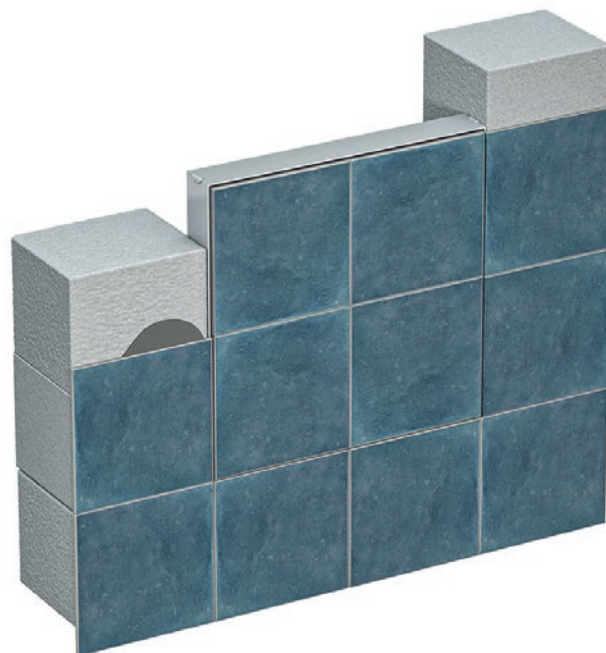
Possible options upon customer request:

- Custom-made production according to the thickness of the tile (in increments of 1mm)
- Different thickness of the inner frame or board (GKF, GKFi, acoustic, etc.)
- Removable version with a locking cable
- Double-leaf variant
- Production of non-standard dimensions
- Option for opening with a square key
- Variant of airtight doors



Reduction of the clear opening L1 + L2 in millimeters

Thickness of the tile including adhesive	Classic 12,5 a 15 mm	Classic 25 mm
8 mm	88 mm	98 mm
9 mm	100 mm	110 mm
10 mm	109 mm	119 mm
11 mm	117 mm	127 mm
12 mm	126 mm	136 mm
13 mm	135 mm	145 mm
14 mm	147 mm	157 mm
15 mm	156 mm	166 mm



Inspection doors are supplied without tile.

WELDED ALUMINUM INSPECTION DOORS

MASONRY FOR TILE INSIDE THE FRAME

push lock, offset hinges, frame for masonry, visible frame

The doors are made from aluminum profiles, which are welded into an outer and inner frame. The complete assembly is connected by a fixed hinge allowing the door leaf to be opened if necessary.

The infill of the inner frame is made of a green impregnated board attached with self-tapping screws. The hinges are offset from the edge and the door leaf is ready for ceramic tile.




Main advantages of the model:

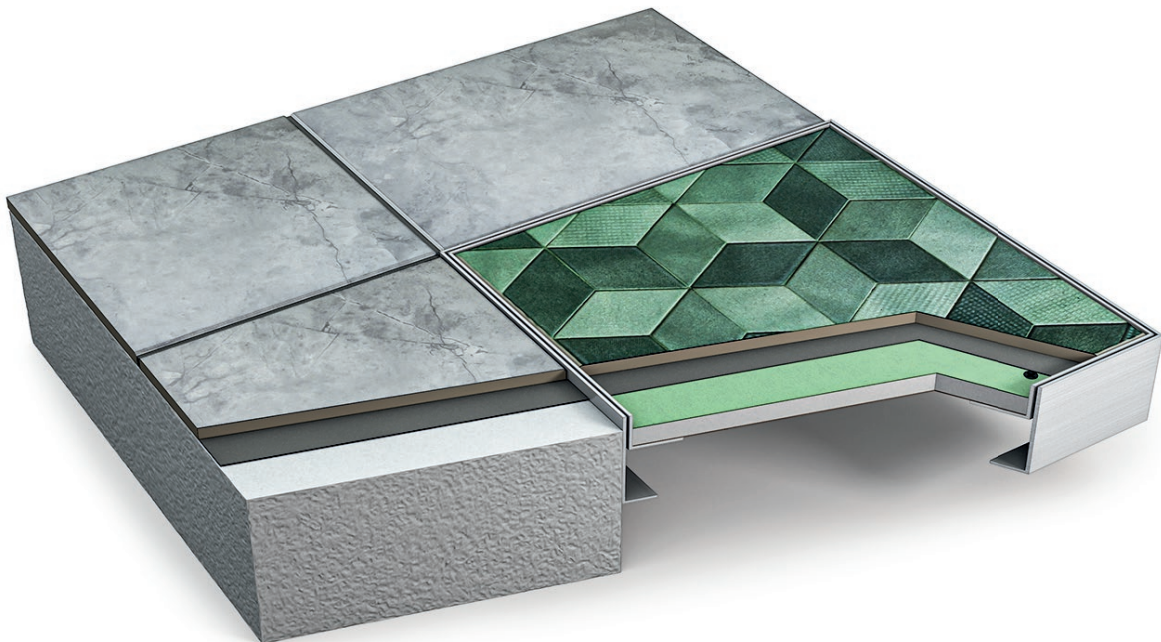
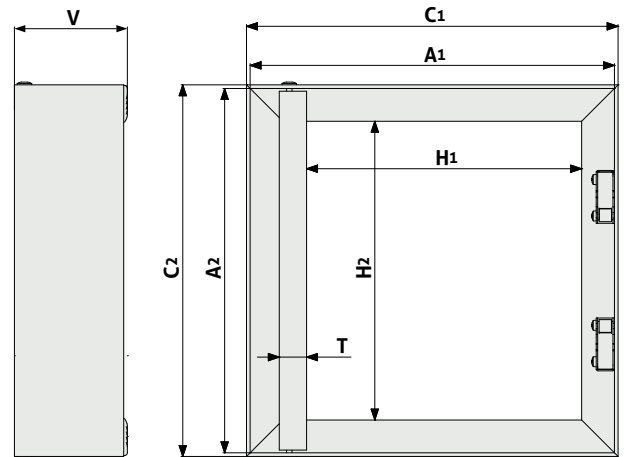
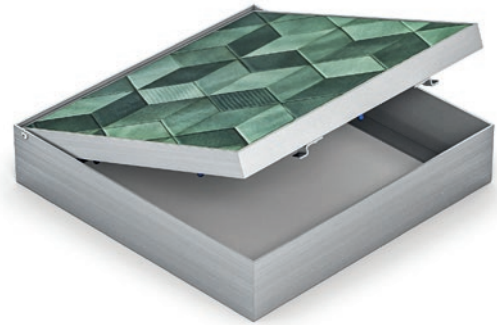
- **Welded frames**
- **Easy-to-open push lock**
- **Outer frame adapted for a masonry wall**
- **Ready for ceramic tile**
- **Firmly anchored inner frame**
- **Outer frame made from 60 x 20 x 2 mm profile**

Convenient opening and closing is ensured by push US locks, which are located on the outer frame. Pressing on the tile board of the inner frame at the lock position causes the latch to snap in or out.

Installation into a masonry wall is done using expansion plugs through the outer frame or mounting foam.

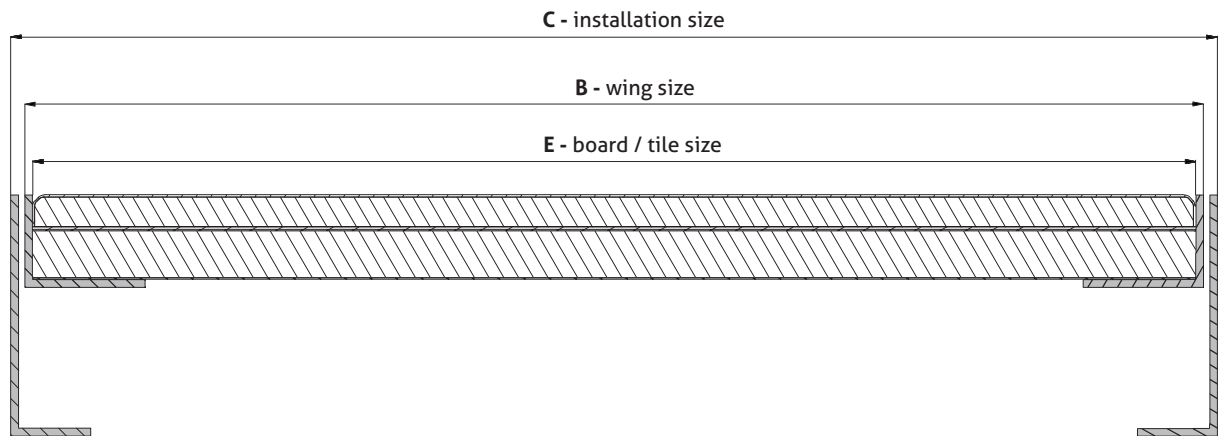
To ensure proper production of the door, it is important to include in the order the tile thickness, adhesive, and the correct elevation corresponding to the specified dimension. If this information is not provided, the default option is with a 10 mm recess and elevation ,C'.

 Masonry	 Push	 Tile
Minimum size 150 mm x 150 mm	Maximum size 900 mm x 900 mm	



Possible customer options:

- Custom production according to the tile (in increments of 1 mm)
- Different thickness of the inner frame or board (GKF, GKF_i, acoustic, etc.)
- Removable version with a safety cable
- Double-leaf version
- Production of non-standard dimensions
- Possibility of opening with a square key



Inspection doors are supplied without tile.



04

INSPECTION DOORS SHEET METAL



SHEET METAL INSPECTION DOORS

CLASSIC PAINTED US

push lock, removable, white paint

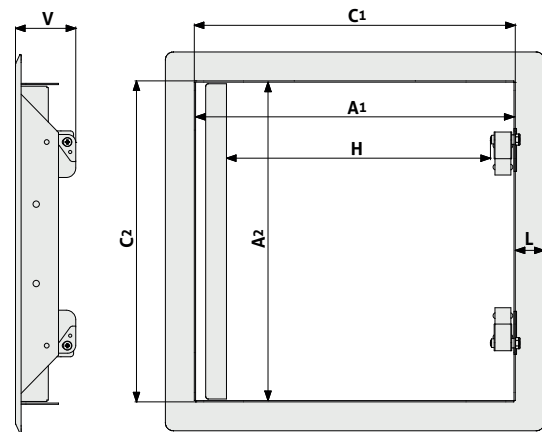
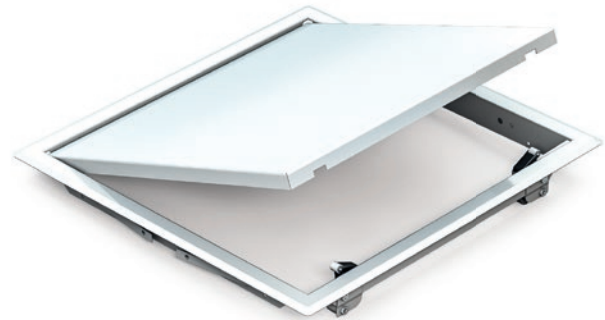
The doors are pressed from a steel sheet. They are made of an outer frame, whose lip hides imperfections of the access hole, and a moving inner frame connected with a removable hinge. The surface is powder coated white for protection against corrosion.

Key features of the model:

- Universal installation in drywall or masonry
- Easy-to-open push lock
- White powder coating
- Covering of access hole imperfections
- Removable inner frame increasing the clear passage

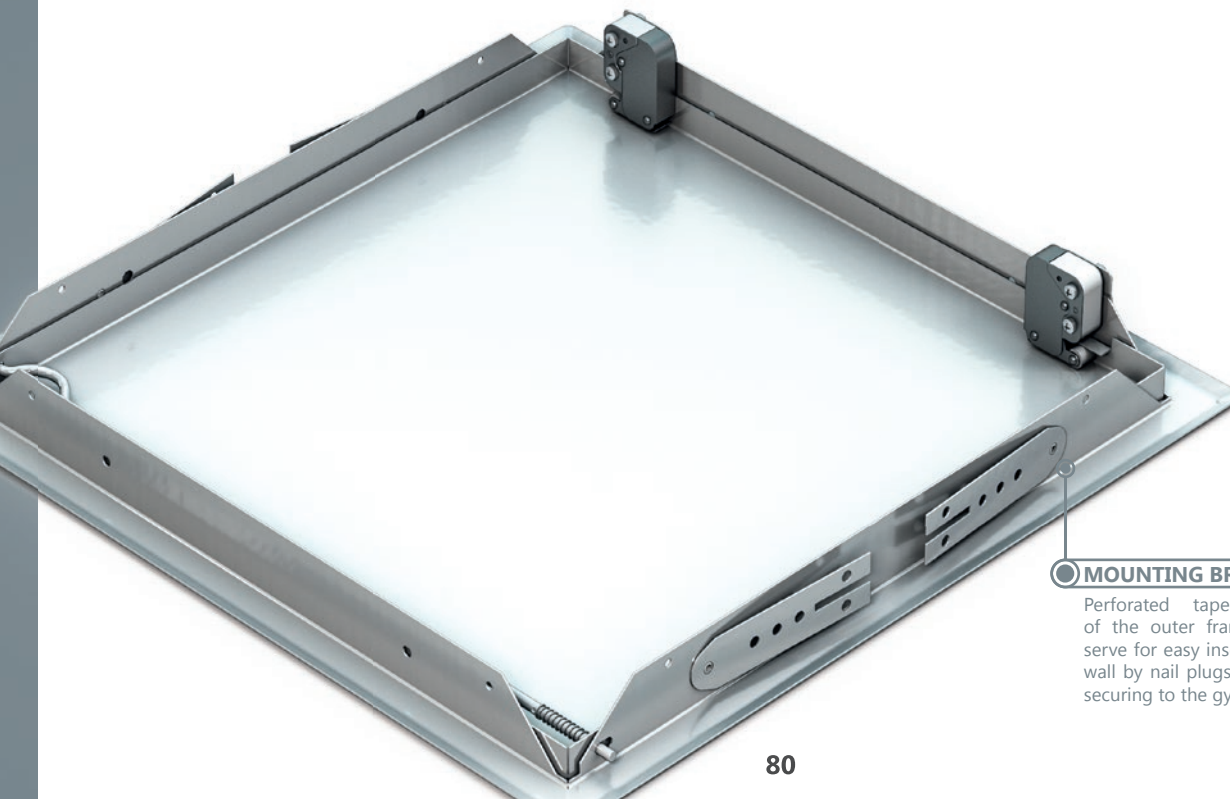
Convenient opening and closing is ensured by push-button locks located on the outer frame. Pushing on the inner frame at the lock location causes the latch to snap in or out.

The doors are available in custom colors on customer request in anthracite (RAL 7016), brown (RAL 8017), and galvanized sheet metal. For widths over 800 mm, the doors are available in a double-leaf configuration.



Wall	Ceiling	Masonry	Push
Minimum size 150 mm x 150 mm		Maximum size 1200 mm x 1300 mm	

Order no.	Article name (C1 x C2)	Weight	Installation size			Clear opening		Height
			C1	C2	L	H	A2	V
TMD-3157-Z	RDp 200x200 US metal, white	0,58 kg	195	195	18	157	196	25
TMD-1163-Z	RDp 300x300 US metal, white	1,08 kg	295	295	18	257	296	25
TMD-1044-Z	RDp 400x400 US metal, white	1,66 kg	395	395	18	357	396	25
TMD-1045-Z	RDp 500x500 US metal, white	2,54 kg	495	495	18	457	496	25
TMD-1046-Z	RDp 600x600 US metal, white	3,36 kg	595	595	18	557	596	25



MOUNTING BRACKETS

Perforated tapes on the sides of the outer frame on metal door serve for easy insertion into the brick wall by nail plugs or by bending and securing to the gypsum board.

SHEET METAL INSPECTION DOORS

CLASSIC PAINTED KL

square key lock, removable, white paint

The doors are pressed from a steel sheet. They are made of an outer frame, whose lip hides imperfections of the access hole, and a moving inner frame connected with a removable hinge. The surface is powder coated white for protection against corrosion.

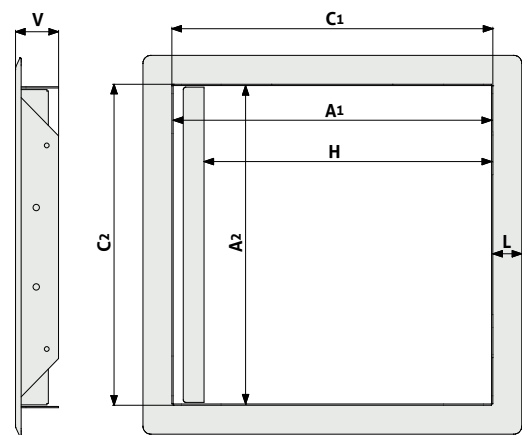
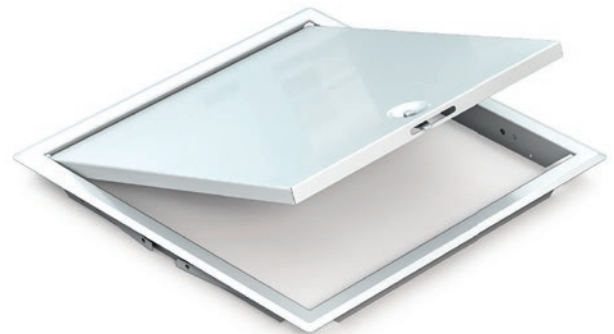
Main advantages of the model:

- Universal installation into drywall or masonry
- Secured opening
- White powder coating
- Covering of access hole imperfections
- Removable inner frame increasing clear passage

Opening and closing is enabled by rotating a plastic square key inside the slot in the inner frame, which then opens the lock. The key is included.

The doors are produced in custom colors upon customer request in shades of anthracite (RAL 7016), brown (RAL 8017), and galvanized sheet.

From a size of 800 mm (width), the doors are produced in a double-wing design.

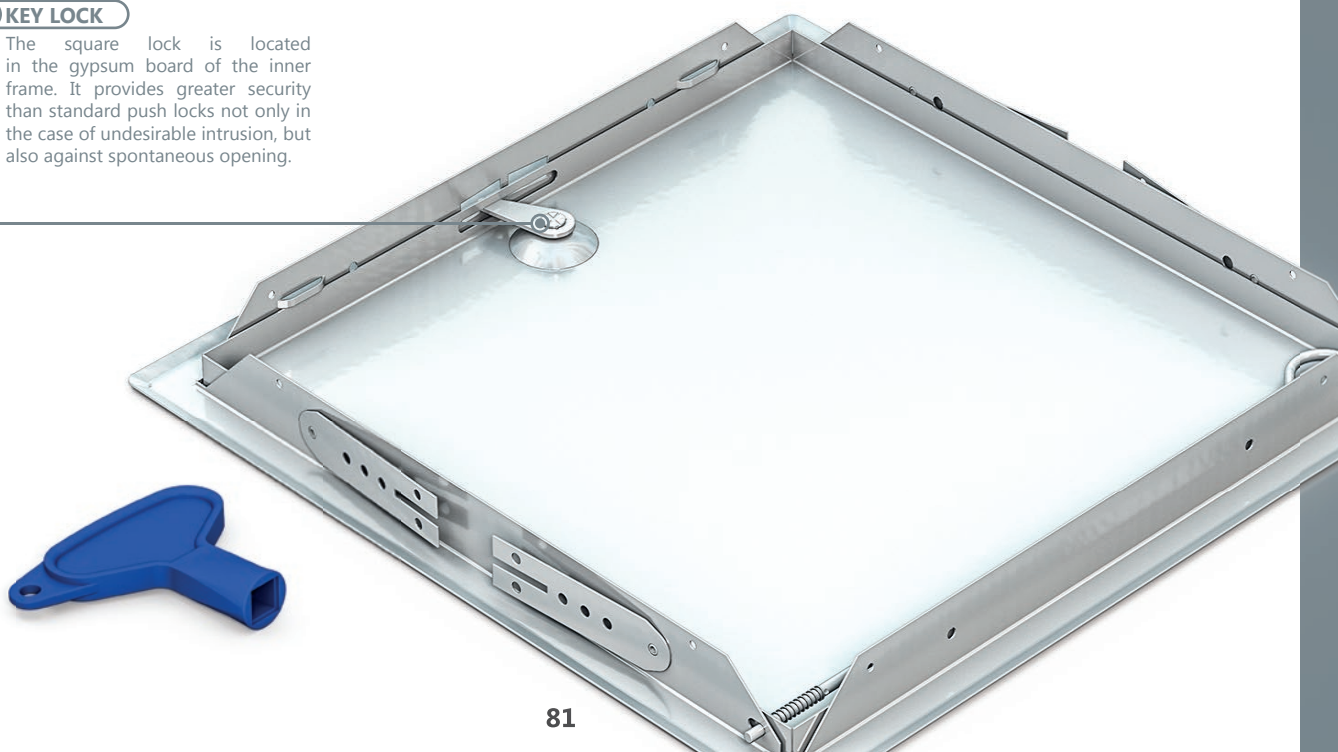


Wall	Ceiling	Masonry	Square
Minimum size 150 mm x 150 mm		Maximum size 1200 mm x 1300 mm	

Order no.	Article name (C1 x C2)	Weight	Installation size			Clear opening		Height
			C1	C2	L	H	A2	V
TMD-3534-Z	RDp 200x200 KL metal, white	0,58 kg	195	195	18	170	186	27
TMD-3535-Z	RDp 300x300 KL metal, white	1,08 kg	295	295	18	270	286	27
TMD-3536-Z	RDp 400x400 KL metal, white	1,66 kg	395	395	18	370	386	27
TMD-3537-Z	RDp 500x500 KL metal, white	2,54 kg	495	495	18	470	486	27
TMD-3538-Z	RDp 600x600 KL metal, white	3,36 kg	595	595	18	570	586	27

KEY LOCK

The square key lock is located in the gypsum board of the inner frame. It provides greater security than standard push locks not only in the case of undesirable intrusion, but also against spontaneous opening.



SHEET METAL INSPECTION DOORS
STAINLESS TM
magnet lock, fixed hinges

The doors are pressed from ground stainless steel sheet. They are made of an outer frame, whose lip hides imperfections of the access hole, and a moving inner frame connected with a fixed hinge.

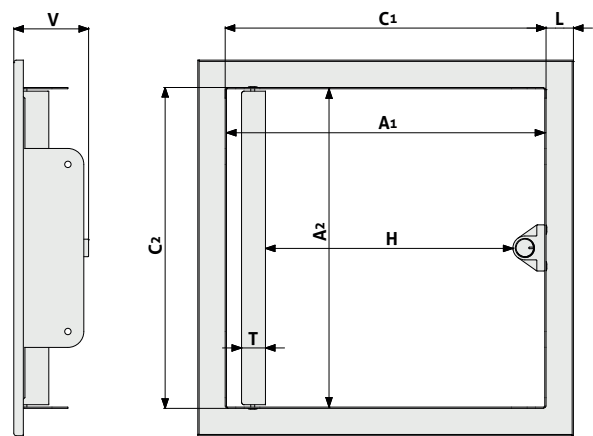
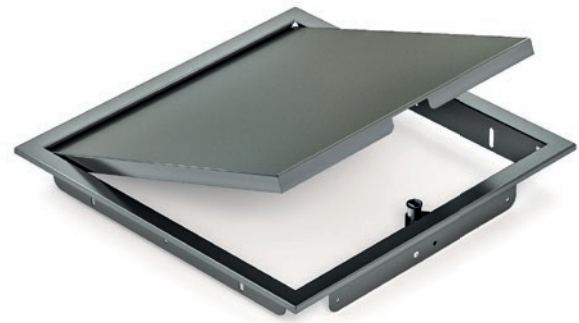
The main advantages of the model:

- **Universal model for both gypsum and brick wall**
- **Easily operated magnetic lock**
- **Stainless surface**
- **Hiding of the access hole imperfections**
- **Firmly attached inner frame**

Comfortable opening and closing is made possible with magnetic push-locks located in the outer frame. Pressing the door panel in the place where the lock is located makes the latch open and close.

To prevent scratching of the stainless steel surface during handling and installation, the visible side of the doors is covered with a protective film. Custom dimensions available upon request.

From a width of 800 mm, the doors are manufactured in a double-leaf design.

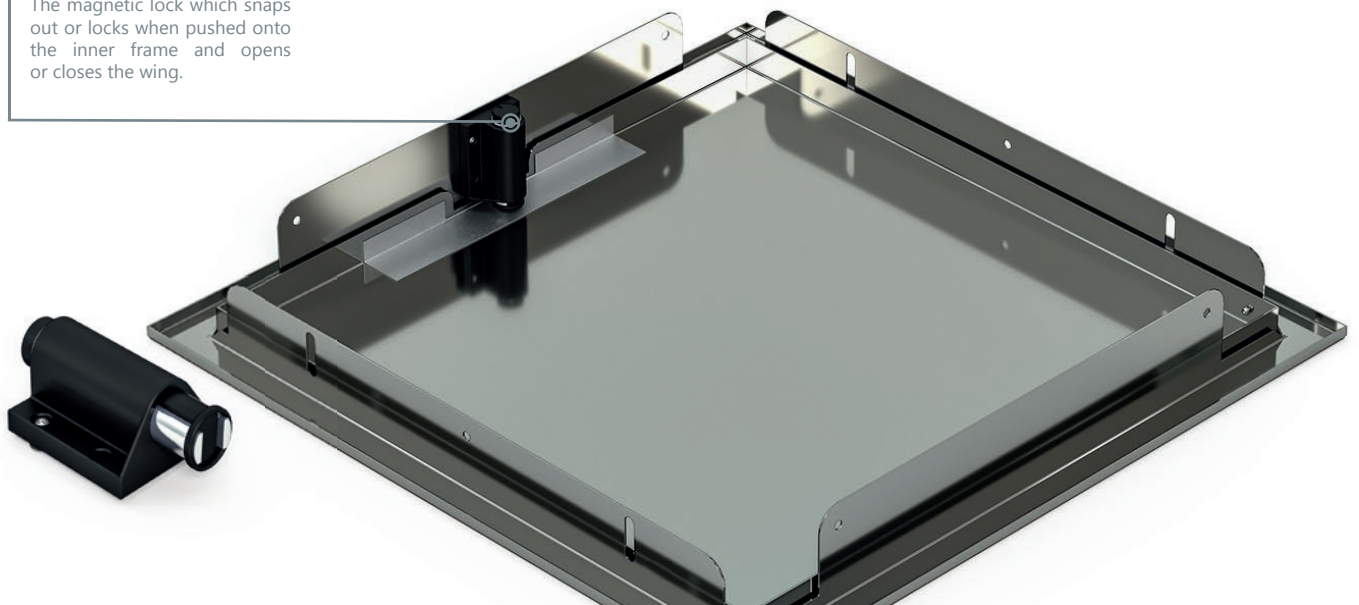


Wall	Ceiling	Masonry	Push
Minimum size 150 mm x 150 mm		Maximum size 1200 mm x 1300 mm	

Order no.	Article name (C1 x C2)	Weight	Installation size			Clear opening		Height
			C1	C2	L	H	A2	V
TMD-4163-Z	RDn 150x150 TM stainless	0,42 kg	145	145	17	106	145	46
TMD-4193-Z	RDn 200x200 TM stainless	0,65 kg	195	195	17	156	195	46
TMD-4198-Z	RDn 300x300 TM stainless	1,21 kg	295	295	17	256	295	46
TMD-4199-Z	RDn 300x400 TM stainless	1,56 kg	295	395	22	256	395	46
TMD-4200-Z	RDn 400x400 TM stainless	1,92 kg	395	395	22	356	395	46
TMD-4203-Z	RDn 500x500 TM stainless	2,75 kg	495	495	22	456	495	46
TMD-4205-Z	RDn 600x600 TM stainless	3,56 kg	595	595	22	556	595	46

MAGNETIC LOCK

The magnetic lock which snaps out or locks when pushed onto the inner frame and opens or closes the wing.



SHEET METAL INSPECTION DOORS

STAINLESS KL

square key lock, fixed hinges

The doors are pressed from ground stainless steel sheet. They are made of an outer frame, whose lip hides imperfections of the access hole, and a moving inner frame connected with a fixed hinge.

The main advantages of the model:





- Universal model for both gypsum and brick wall
- Secured lock
- Stainless surface
- Hiding of the access hole imperfections
- Firmly attached inner frame

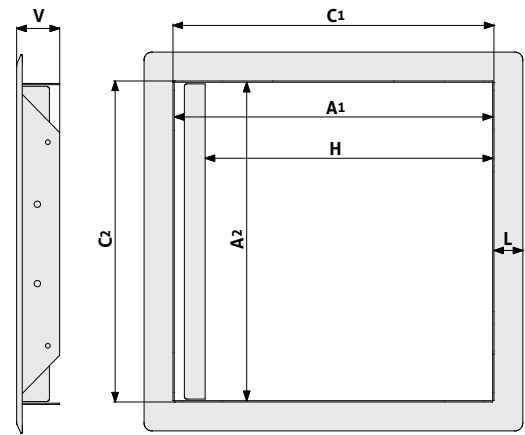
Opening and closing is enabled by rotating a plastic square key inside the slot in the inner frame, which then opens the lock. The key is included.

To prevent scratching of the stainless steel surface during handling and installation, the visible side of the doors is covered with a protective film.

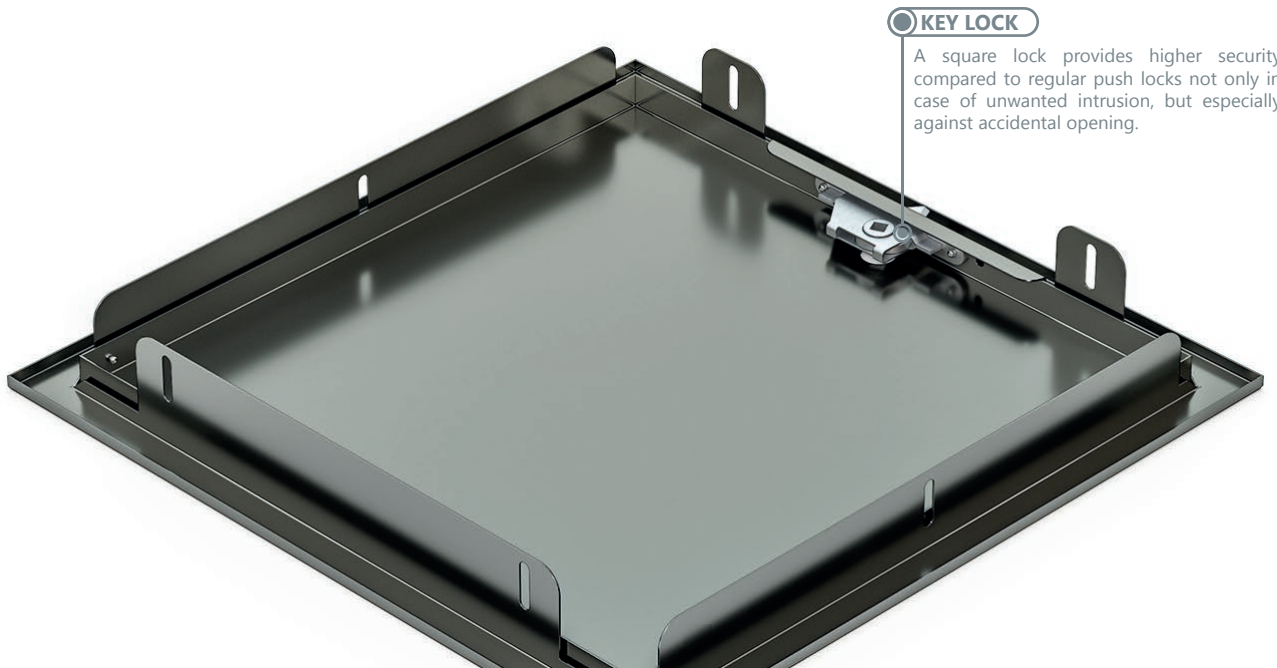
Production of non-standard sizes on demand. Doors are produced in a double-wing design from a width of 800 mm.



			
Wall	Ceiling	Masonry	Square
Minimum size 150 mm x 150 mm		Maximum size 1200 mm x 1300 mm	



Order no.	Article name (C1 x C2)	Weight	Installation size			Clear opening		Height
			C1	C2	L	H	A2	V
TMD-4216-Z	RDn 150x150 KL stainless	0,42 kg	145	145	17	120	145	46
TMD-4219-Z	RDn 200x200 KL stainless	0,65 kg	195	195	17	170	195	46
TMD-4224-Z	RDn 300x300 KL stainless	1,21 kg	295	295	17	270	295	46
TMD-4225-Z	RDn 300x400 KL stainless	1,56 kg	295	395	22	270	395	46
TMD-4226-Z	RDn 400x400 KL stainless	1,92 kg	395	395	22	370	395	46
TMD-4229-Z	RDn 500x500 KL stainless	2,75 kg	495	495	22	470	495	46
TMD-4231-Z	RDn 600x600 KL stainless	3,56 kg	595	595	22	570	595	46



KEY LOCK

A square lock provides higher security compared to regular push locks not only in case of unwanted intrusion, but especially against accidental opening.

SHEET METAL INSPECTION DOORS

VENTILATION

square key lock, removable

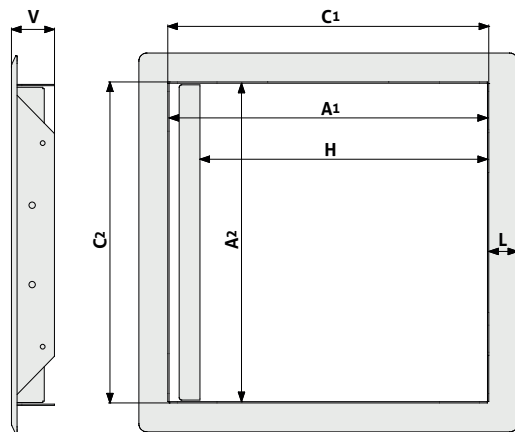
The doors are pressed from a steel sheet. They are made of an outer frame, whose lip hides imperfections of the access hole, and a moving inner frame with ventilation holes connected with a removable hinge. The surface is powder coated for protection against corrosion.




Main advantages of the model:

- Universal installation into plasterboard or masonry
- Secured opening
- Ventilation holes
- Powder coated or stainless surface
- Hiding of the access hole imperfections
- Removable inner frame enlarging the clear passage
- Anchoring straps of 130 mm

Opening and closing is enabled by rotating a plastic square key inside the slot in the inner frame, which then opens the lock. The key is included.

The doors are also produced in a version from ground stainless steel sheet. From a width of 800 mm, the doors are made in a double-leaf design.



		
Wall	Masonry	Square
Minimum size 300 mm x 300 mm		Maximum size 1200 mm x 1300 mm

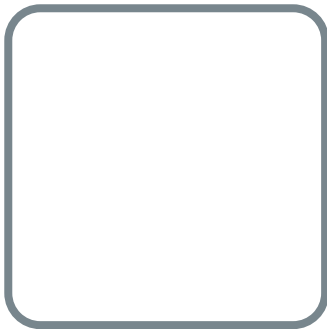
Order no.	Article name (C1 x C2)	Weight	Installation size			Clear opening		Height
			C1	C2	L	H	A2	V
TMD-4207-Z	RDp 300x300 KL ventilation	1,50 kg	300	300	22	270	295	45
TMD-4209-Z	RDp 300x400 KL ventilation	1,95 kg	300	400	22	270	395	45
TMD-4210-Z	RDp 400x400 KL ventilation	2,40 kg	400	400	22	370	395	45
TMD-4212-Z	RDp 400x600 KL ventilation	3,40 kg	400	600	22	370	595	45
TMD-4213-Z	RDp 500x500 KL ventilation	3,60 kg	500	500	22	470	495	45
TMD-4215-Z	RDp 600x600 KL ventilation	4,60 kg	600	600	22	570	595	45
TMD-4864-Z	RDp 600x800 KL ventilation	5,70 kg	600	800	22	570	795	45
TMD-5087-Z	RDp 700x700 KL ventilation	5,60 kg	700	700	22	670	695	45



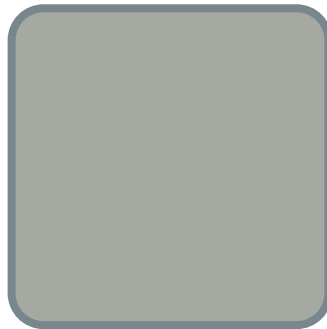
Possible custom options:

- Production of atypical dimensions
- With push-to-close magnet or lockable
- Color finish in anthracite (RAL 7016), brown (8017)
- We supply welded models up to the size of 1800 x 1600 mm

Color options:



RAL 9016



RAL 7016



RAL 8017

Order no.	Article name (A1 x A2)	Weight	Installation size			Clear opening		Height	
			C1	C2	L	H	A2	T	V
TMD-5341-Z	RDn 300x300 KL HUP ventilation, stainless	1,50 kg	304	304	28	262	300	13	30
TMD-5342-Z	RDn 400x400 KL HUP ventilation, stainless	2,40 kg	404	404	28	362	400	13	30
TMD-5343-Z	RDn 500x500 KL HUP ventilation, stainless	3,60 kg	504	504	28	462	500	13	30
TMD-5344-Z	RDn 600x600 KL HUP ventilation, stainless	4,60 kg	604	604	28	562	600	13	30

MOUNTING BRACKETS

Perforated tapes on the sides of the outer frame on metal door serve for easy insertion into the brick wall by nail plugs or by bending and securing to the gypsum board.

AIR VENTILATION

Exposed holes serve as a venting system that prevents the accumulation of gas or heat in the space behind the door in places where this phenomenon would be undesirable.



05

INFORMATION



ORDER FORM

NON-FIRE RATED INSPECTION DOORS

Order

Inquiry

no.: _____

variant

1 DESIGN

Pressed aluminum

* Welded aluminum

Sheet metal

2 MODEL

* Classic pressed, welded, metal

Air-tight pressed, welded

Facade welded

Ventilation metal

Double-winged welded

Dust-proof pressed

Mineral welded

Stainless metal

Round welded

Acoustic welded

3 VARIANT

Removable pressed, welded

* Fix hinges pressed, welded, metal

basic information

4 SIZE

width _____ mm x height _____ mm

5 DIM

A C H
 B E _

6 THICKNESS

* 12.5 mm 15 mm 25 mm Other: _____

7 BOARD

* GKB white basic

GKBi green impregnated

GKF red fireproof

GKFi green fireproof

MA blue acoustic

Without without board

Habito

Other: _____

8 LOCK

* US push

Key lock square

FAB

Cylinder

side with locks _____

9 POSITION

* Wall gypsum

Ceiling gypsum

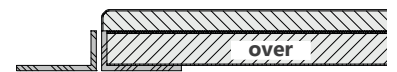
Masonry

tile

10 VARIANT

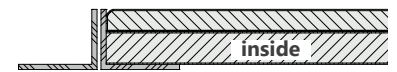
* Over the frame invisible doors

Inside the frame visible frame



11 TILE

thickness _____ mm + glue _____ mm



certification

12 ACOUSTIC

31 dB aluminum

34 dB aluminum

13 VOLUME

_____ pcs

customer

notes

Contact information for the purchaser:

To ensure correct production and avoid unnecessary complaints for atypical requests, it is necessary to thoroughly fill out the order form.
 1. Select the technology by which the doors are to be made. 2. Select the door variant that corresponds to the technology. 3. Fill in the width and height of the doors.
 4. Dimensions of the specified size: A - outer frame size (inner), B - inner frame size (outer), C - outer frame (installation size), E - board size, H - clear opening. (detailed dimension layout can be found for each door type in the catalog. If no dimension is specified, the door will be manufactured according to „B“ dimension) 5. Required thickness of the doors. 6. Required type of door board. 7. For non-symmetrical doors, it is necessary to also fill in the side on which the locks are to be placed. 8. Mark where the doors will be located. 9. For doors intended for cladding, it is necessary to select a variant. (see catalog pages 68-75) 10. Hinge adjustment is based on the thickness of the tile and adhesive. If no value is filled in, it is assumed that the cladding thickness is 6 mm + 2 mm adhesive. 11. Required acoustic resistance. * If no values are filled in, the marked items are considered default.

USAGE OF INSPECTION DOORS

Revision doors in buildings are used to facilitate access to electrical installations, plumbing and heating systems, ventilation, risers, waste, and more. They allow users to easily inspect, repair, or replace parts without the need for demolition or other intervention, reducing the time and cost required for such interventions.

Revision doors are most commonly installed indoors as part of a drywall ceiling, wall, or brick wall, but can also be used on an exterior façade. From industrial facilities to residential buildings and office buildings, revision doors are an important element.

Security is another important element of revision doors. Some are equipped with a square or a security key lock to limit unauthorized access, which is useful in public spaces. Some revision doors can also be equipped with insulation material, which can be useful for reducing heat transfer and eliminating noise. This is particularly important in areas where sensitive electronic equipment is installed or where noise needs to be reduced for better user comfort.

Thanks to their safe and reliable design, our revision doors are the ideal choice for all types of buildings. They are designed to meet the highest standards of safety and reliability. Whether you are building a new building or renovating an existing one, our doors are the ideal solution for your needs.

They are available in different models, sizes, and materials.

It is important to choose the right type and size of the door for a specific application to ensure proper access and safety.

During installation, it is important to ensure proper installation. Built-in doors must be at the correct angle; otherwise, there may be imperfect opening or closing of the door or bending of the frame, which can affect the overall aesthetics. Using a sufficient number of screws during the installation of inspection doors is important to ensure stable and safe installation for long-term door functionality.

Using a sufficient number of screws during the installation of inspection doors (wall, ceiling, masonry) is important to ensure stable and safe installation for long-term door functionality.



FIREPLACE DOOR

We can manufacture doors for your fireplace insert to provide service access to the technologies, such as the hot air distribution system, according to your specifications. These doors can be installed into the masonry or sandstone enclosure of your fireplace or into the top casing. If you do not find a suitable category of doors in our catalogue, we will be happy to advise you and suggest the most suitable solution.

BATH TUB DOOR

Doors designed for service access to the waste under the bathtub are usually not widely used, so it is not necessary for the aesthetics of your bathroom to suffer from plastic or metal decoration. We will design for you a special, invisible door that will precisely match the size and thickness of your tile. These doors can be manufactured for installation into the cladding of your bathtub or into drywall enclosures. The gap between the doors and the tile can be filled with silicone sealant to blend in with the cladding and make it invisible.



OTHER PRODUCTION

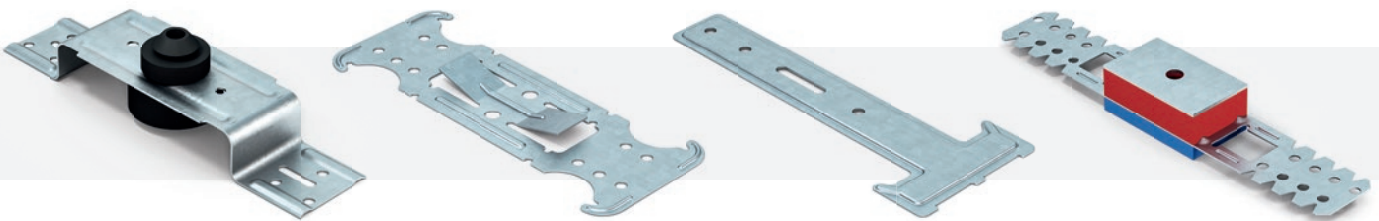
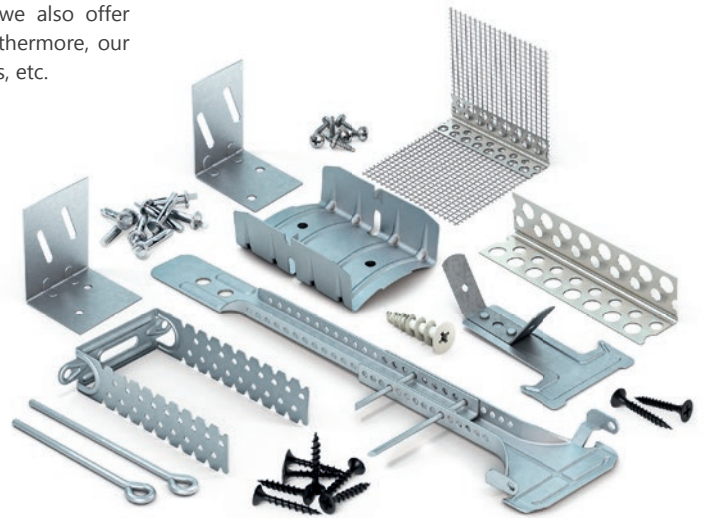
In addition to manufacturing inspection doors, our company specializes in the production of metal connecting elements and sanitary structures for plasterboard systems. All of these products are manufactured on pressing tools from our tooling workshop. For the production of drywall structure connecting elements, we use high-quality material DX51-Z100 in various thicknesses depending on the type of product.

Our portfolio includes a wide range of products that are an integral part of the installation of every drywall partition or ceiling. In addition to standard elements, we also offer acoustic hangers with rubber or sylomer to reduce noise in the room. Furthermore, our constructions for sanitary systems serve to secure washbasins, toilets, faucets, etc.

Another area of our focus is the sale of complementary products.

These products include:

- **Screws (TN, FN, TX, TEX, Cetris)**
- **Anchors (conventional, KEW, HSD, ZHOP, etc.)**
- **Sealants (Rokofinal, Rokoplast, Uniflott, etc.)**
- **Insulation (foundation profiles, plate anchors, strips)**
- **Tapes (acoustic, double-sided, masking, plated, etc.)**



COMPLAINTS

In case of damage to the shipment it is necessary to fill out a complaint protocol which the carrier's driver should have with them or make a note in the delivery note. Include the damaged goods and the quantity, fill in the number of the shipping document, state the current date and sign it. Also have the carrier's driver who delivered the shipment sign the document.

Please photograph the complaint protocol and keep a copy for yourself. Take photos of the damaged goods as well.

Next inform your respective sales representative about the steps taken and send us a copy of the completed shipping or delivery document along with photos of the damaged goods to the email address: expedice@tamadex.cz, no later than within 2 days.

Afterwards, upon agreement with our company, we will send you a replacement for the goods for example with your next order or we can arrange a separate shipment according to the agreement.

If a copy of the shipping document and photos of the damaged goods are not sent in a timely manner, the claim will not be accepted.

If you refuse to accept the shipment please mark the shipping or delivery document with the note: „Refused, damaged goods.“



CONTACT

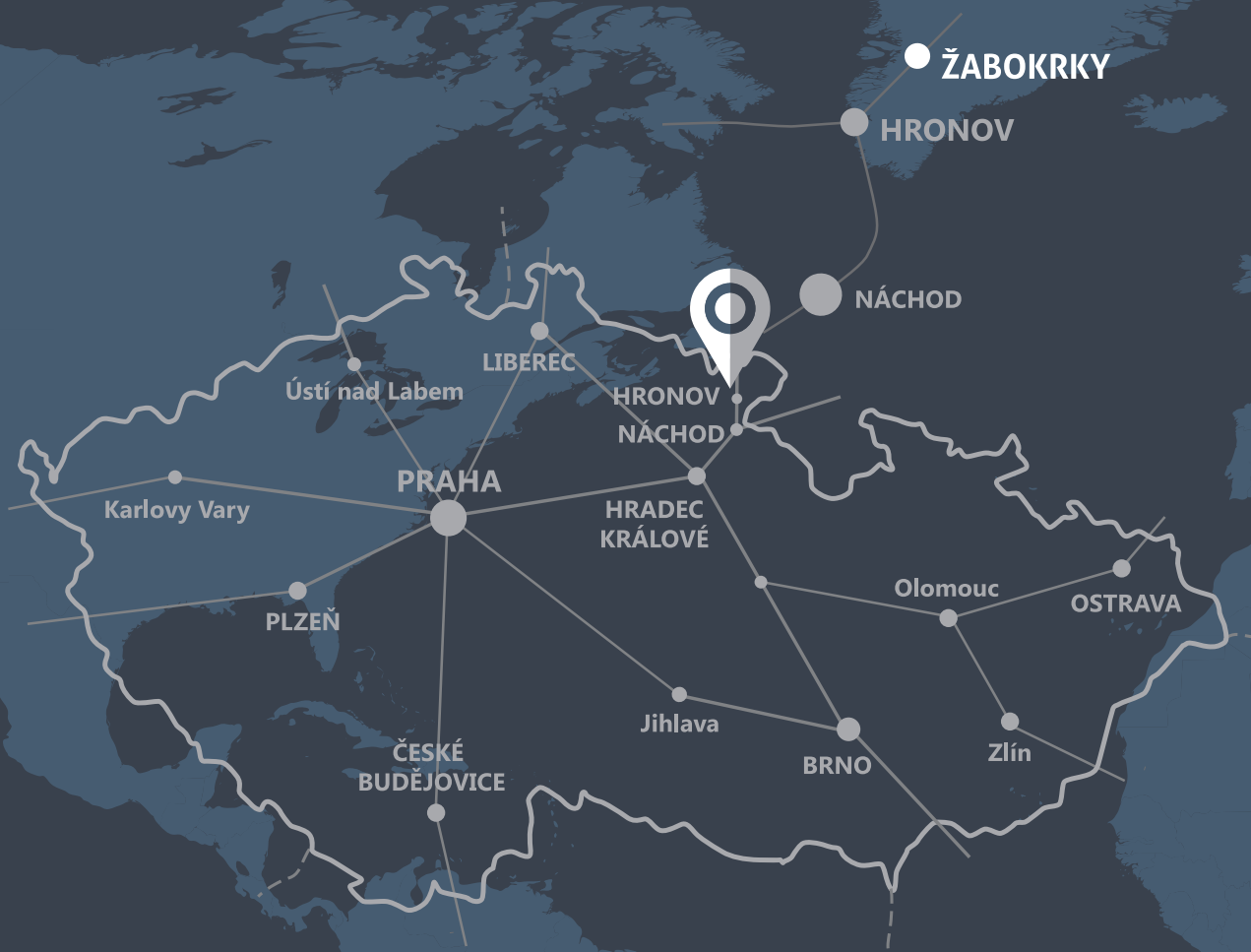
Orders / Logistic:

mobile: +420 702 196 398
e-mail: expedice@tamadex.cz

Export manager:

mobile: +420 725 115 221
e-mail: filip.mazac@tamadex.cz

Tamadex company is primarily focused on WHOLESale distribution. If you are interested in our products, please contact our business partners.



TAMADEx spol. s r.o.

Billing address:

Zbečník 19,
549 31, Hronov
Czech Republic

Factory:

Žabokrký 50,
549 31, Hronov
Czech Republic